

點亮世界 成就經典

Illuminate the world, Achieve classic



公众号

视频号

官网

深圳市升宏光电科技有限公司
Shenzhen SH LED Technology Co., Ltd.

地址：深圳市龙华区观澜镇观光路大富工业区阿宝科技园D栋2~4楼
Address: 2-4TH Floor, Building D, Abao Industry, GuanGuang Road, Guanlan Town,
LongHua District, Shenzhen City, Guangdong Province, China, 5181110
电话：0755-28015568
网址：www.szshled.com www.facadeled.com
Email: shled@szshled.com

SHLED 升宏光电

智能景观照明整体解决方案服务商

www.szshled.com



深圳市升宏光电科技有限公司
Shenzhen SH LED Technology Co., Ltd.

全国服务热线：0755-28015568

點亮世界 成就經典
Illuminate the world, Achieve classic



智能景观照明整体解决方案服务商



LED景观照明服务商

Facade Lighting Supplier



升宏光电，以品质为核心，以创新为驱动，以诚信为根本，专注做高质量智能景观照明产品及整体解决方案服务商，为客户提供高性价比产品和专业配套服务。

近年来，升宏光电先后为太原青运会、俄罗斯世界杯、武汉军运会、青岛上合组织峰会、深圳40周年灯光秀等大型景观照明项目提供专业配套产品以及整体解决方案。

Shenzhen SH LED Technology Co., Ltd. takes quality as the core, innovation as the driving force, and integrity as the foundation, focusing on high-quality intelligent facade lighting products and overall solution service providers, providing customers with cost-effective products and professional supporting services.

In recent years, SH LED has provided professional provide products and overall solutions for large-scale landscape lighting projects such as the Taiyuan Youth Games, Russia World Cup, Wuhan Military Games, Qingdao SCO Summit, Shenzhen 40th Anniversary Light Show.

公司简介

Company profile

深圳市升宏光电科技有限公司成立于2009年，位于深圳市龙华新区观澜街道，升宏光电集专业设计、研发、生产、销售、服务为一体的智能景观照明整体解决方案服务商的高新技术企业。公司本着“创新、诚信、专注、品质”的企业经营理念，质量管理、雄厚的技术力量和完善的售后服务在海内外赢得了良好的信誉，如今我们的业务伙伴已遍及全球各地。

目前主要产品：点光源系列、网格屏系列、线条灯系列、3D水晶灯系列以及特定场景系列灯具。主要应用方案有3D造型灯、智慧互联网联动方案、智能人机互动控制方案、智能光影控制方案、智能人体雷达感应控制方案等。升宏光电致力于媒体立面、舞台灯光、娱乐庆典等智能化景观照明领域，在产品以及整体解决方案上，拥有独立知识产权、强大技术优势以及完善的运营机制。

公司设备先进，管理制度完善，产品原材料选用CREE，晶元等知名品牌，从生产到装配的每一个环节都严格按照ISO9001:2015质量管理体系、ISO14001:2015环境体系、ISO45001:2018职业健康安全体系运作。升宏光电所有产品通过专业测试，并拥有自主知识产权，获得中国质量检测认证、欧洲CE、ROHS、FCC、SASO等国际权威组织的认证，目前已经获得50多项自主专利。

升宏光电始终坚持聚焦于LED景观照明整体解决方案，注重产品设计的每一个细节，从产品选材到生产制造，始终保持高标准和高质量要求，做好每一颗产品。升宏光电已建立完善的售前和售后技术服务团队，华中，华南，华北，华东，西南，西北，六大区域成立办事处，以高品质产品、领先技术、专业服务以及高效运营机制为客户创造价值，升宏光电致力于铸造国际品牌，成为全球最值得信赖的LED景观照明服务商。

Shenzhen SH LED Technology Co., Ltd. was established in 2009. It is located in Guanlan Street, Longhua New District, Shenzhen. SH LED is a high-tech enterprise that integrates professional design, research and development, production, sales and service of intelligent landscape lighting overall solution service providers. In the company's business philosophy of "innovation, integrity, focus, quality", quality management, strong technical force and perfect after-sales service have won a good reputation at home and abroad. Now our business partners have spread all over the world.

At present, the main products are: Led Pixel Dot series, Led Mesh Screen series, LED Linear Light series, 3D Crystal Lamp series and scene-specific series of lamps. The main application schemes include 3D Crystal Pixel Ball, smart internet linkage schemes, intelligent human-machine interactive control schemes, intelligent light and shadow control schemes, and intelligent human body radar induction control schemes. SH LED is committed to intelligent landscape lighting fields such as media facade, stage lighting, entertainment celebrations, etc. In terms of products and overall solutions, it has independent intellectual property rights, strong technical advantages and perfect operating mechanisms.

The company has advanced equipment, perfect management system, and uses well-known brands such as CREE and Epistar as raw materials for its products. Each link from production to assembly is strictly in accordance with ISO9001:2015 quality management system, ISO14001:2015 environmental system, ISO45001:2018 occupational health and safety system. Operation. All products of SH LED passed the Professional test and have independent intellectual property rights. They have obtained Chinese quality inspection certification, European CE, ROHS, FCC, SASO and other international authoritative organizations. At present, they have obtained more than 50 independent patents.

SH LED always focuses on the overall solution of LED landscape lighting, pays attention to every detail of product design, and always maintains high standards and high quality requirements from product material selection to production and manufacturing, so as to do a good job in every product. Shenghong optoelectronics has established a complete pre-sales and after-sales technical service team, and set up offices in six regions: Central China, South China, North China, East China, southwest and northwest. It creates value for customers with high-quality products, leading technology, professional services and efficient operation mechanism. Shenghong optoelectronics is committed to building international brands and becoming the most trusted L.Ed landscape lighting service provider in the world.

公司资质
Company certificates

荣获50多项国家专利
Awarded more than 50 national patents



公司风貌 Company VIEWS

升宏光电已建立现代化标准生产线，完善的售前与售后技术服务团队，月生产各类景观照明灯具数量达800多万个，至今累计服务国内外客户5000家以上

SH LED has established a modern standard production line and a complete pre-sales and after-sales technical service team. The monthly production of various types of facade lighting fixtures has reached more than 3 million. So far, it has served more than 2,000 domestic and foreign customers.



检测设备 Test equipment



完善的管理制度及先进的品质检测设备，从研发设计、生产制造、品质管控、售后服务，每一个环节都严格按照公司设备先进，管理制度完善，产品原材料选用CREE，晶元等知名品牌，从生产到装配的每一个环节都严格按照ISO9001：2015质量管理体系、ISO14001:2015环境体系、ISO45001:2018职业健康安全体系运作。

Perfect management system and advanced quality testing equipment, from R & D design, manufacturing, and after-sales service, product raw materials selected CREE, Epistar and other well-known brands, Every link assembly is strictly in accordance with the ISO9001: 2015 quality management system, ISO14001: 2015 environmental system, ISO45001: 2018 occupational health and safety system.



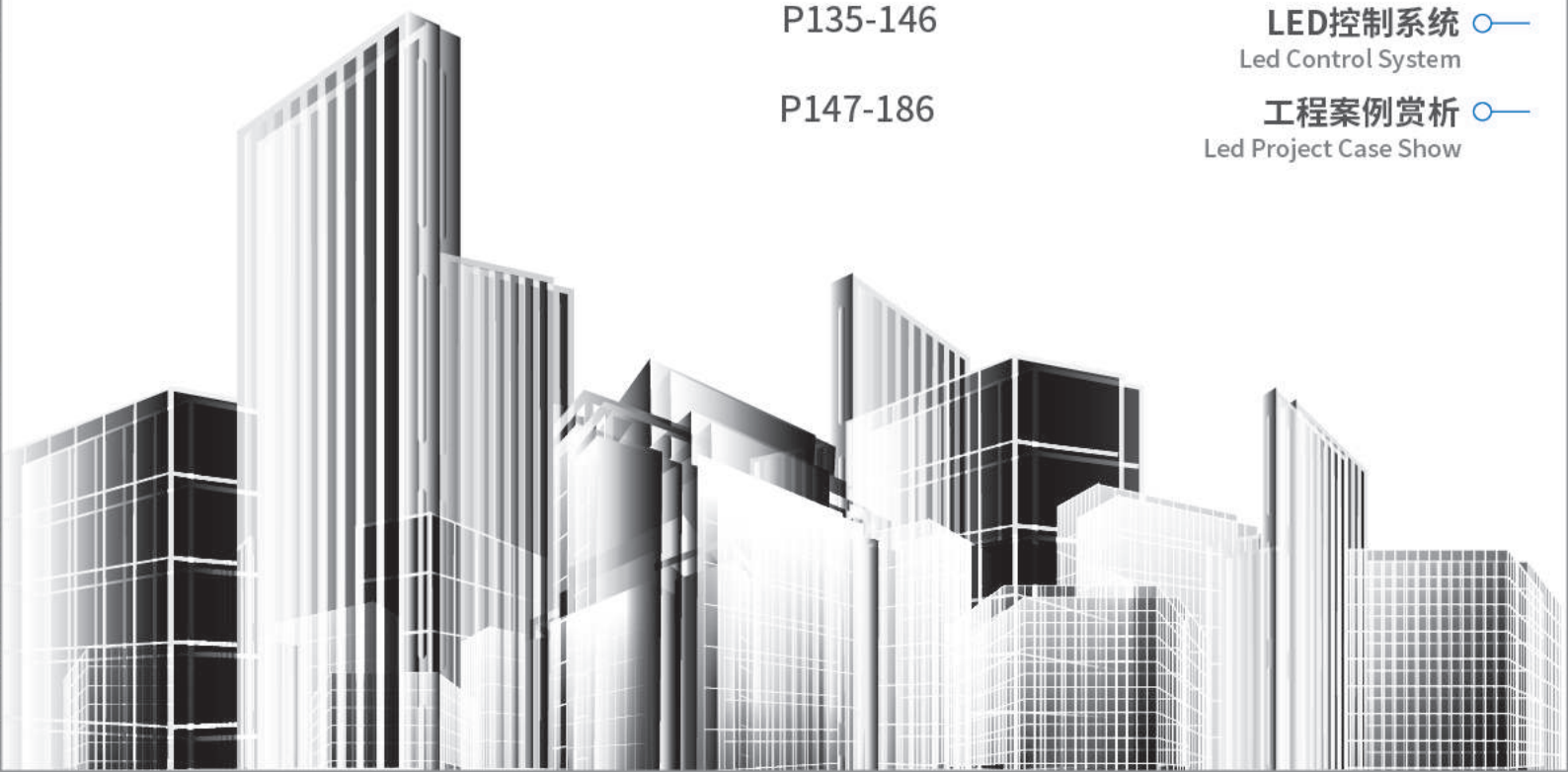


點亮世界 成就經典
Illuminate the world ,Achieve classic

目录

Contents

P01-04	KD系列LED点光源  Led Point Light Source-KD Series
P05-12	WD系列LED点光源  Led Point Light Source-WD Series
P13-26	XD系列LED点光源  Led Point Light Source-XD Series
P27-38	AD系列LED点光源  Led Point Light Source-AD Series
P39-64	JD系列LED点光源  Led Point Light Source-JD Series
P65-70	LED线型点光源  Led line point light source
P71-78	XQ系列LED洗墙灯  Led Wall washing lamp light -XQ series
P79-98	TG系列LED投光灯  Led projector light TG series
P99-118	LED线条灯  Led line light
P119-132	E系列LED网格屏  Led Grid Pixel Light-E series
P133-134	LED安装配件  Led Installation Accessories
P135-146	LED控制系统  Led Control System
P147-186	工程案例赏析  Led Project Case Show



LED点光源-KD系列

LED POINT LIGHT SOURCE -KD series

4大特色 4 major features

1

压降低

Low voltage drop

2

超长供电

Superlong-distance Power Supply

3

无焊点，铜损小

No solder joints, small copper loss

4

LED灯珠和控制部分可拆卸

LED lamp bead and control part are detachable

CONTENTS

内容

SH-KD42 P3-P4

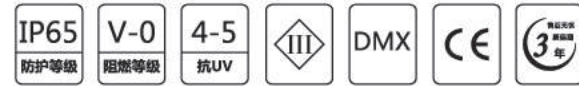
新技术新工艺新未来 New technology New future
可拆换LED点光源 Detachable LED point light source

LED点光源-KD系列

可拆换结构

Replaceable structure





产品特点 Features

- 自主知识产权，私模外观设计，工程项目专用
- 产品采用结构防水设计
- LED灯珠和控制部分可拆卸，安装维护方便
- 整串线材无间断，无焊点，铜损小，信号传输更稳定
- 5*1.5平方毫米纯铜线材，压降低，供电更稳定
- 同一条线可连接230个以上点光源
- Independent intellectual property rights, private model design, dedicated to lighting engineering projects
- The product adopts structural waterproof design
- The LED lamp bead and control part are detachable, easy to install and maintain
- The whole string of wires is uninterrupted, no solder joints, small copper loss, and stable signal transmission
- 5*1.5 mm² pure copper wire, minimal effects on voltage drop, and the power supply is more stable
- More than 230 pcs point light source can be connected to the same line.

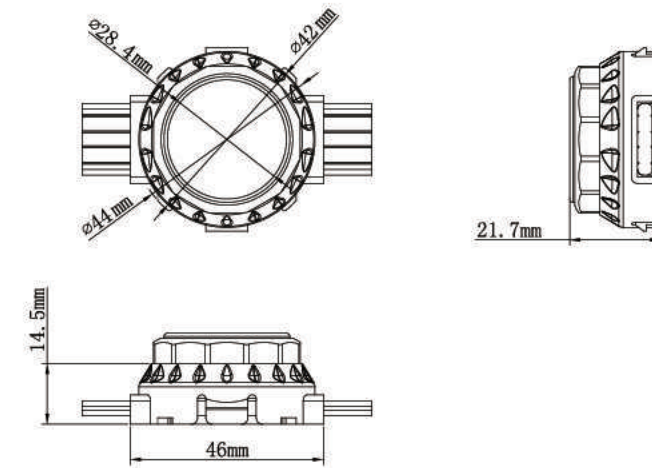
应用范围:

用于多栋楼宇立面媒体屏联动的大型城市景观
用于高层楼体、桥梁等大型建筑物的装饰照明
用于户外、场馆、星级酒店、公园等景观照明

Application:

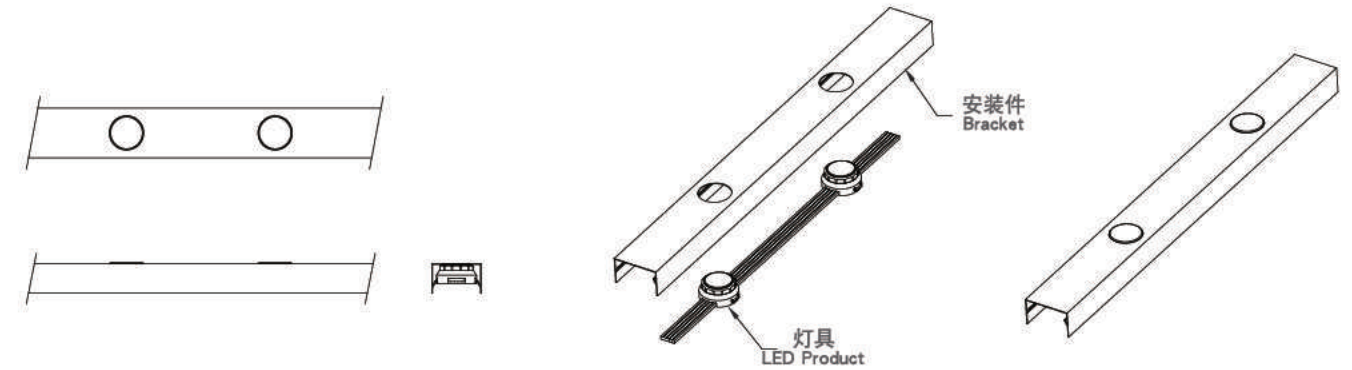
Large urban landscape for linkage of multiple building facade media screen
Decorative lighting for large building such as high-rise building and bridge
For outdoor lighting, outdoor venue, high-level hotel, park, etc.

尺寸图 Size chart



应用安装示意图

Application installation schematic diagram



技术参数

technical parameter

光源品牌 light source:	Epistar/Cree/Osram	工作电压 Working voltage:	DC24V
灰度等级 Gray level:	256/65536	额定功率 Power:	1.4W/1.8W
发光角度 Beam angle:	> 120°	控制方式 Control mode:	DMX/TTL/常亮
灯具尺寸 Lamp size:	42*21.7MM	外壳颜色 Shell color:	灰色/黑色
灯珠类型 Led type:	3535RGB/2835White/R/G/B/Y	灯具寿命 Lamp life:	> 50000H
外壳材料 Housing material:	工程塑料	防护等级 Protection level:	IP65
工作温度 Working temperature:	-20℃至60℃	阻燃等级 Flame retardant grade:	94-V0
应用场景 Application:	建筑轮廓/媒体立面/景观照明	电气安全等级 Electrical safety level:	III级

产品选型

Product selection

规格型号 Specification	光源 light source	颜色 Color	亮度 Brightness	工作电压 Voltage	功率 Wattage	控制方式 Control mode
SH-KD42-DMX-RGB	3535 RGB * 6 pcs	RGB	> 14400MCD	24V	1.4W	DMX
SH-KD42-DMX-RGBW	3535 RGB * 6 pcs + 2835 White * 2 pcs	RGB+White	> 21600MCD	24V	1.8W	DMX
SH-KD42-DMX-White	2835 White * 4 pcs	2200K-6500K	> 14400MCD	24V	1.2W	DMX

LED点光源-WD系列

LED POINT LIGHT SOURCE -WD series

4大特色 4 major features

1 抗酸碱，耐腐蚀
Acid and alkali resistant, corrosion resistant

2 抗压性强
Strong pressure resistance

3 压降低
minimal effects on voltage drop

4 潮湿环境使用
Suitable for underwater

CONTENTS

内容

SH-WD38 P7-P8
SH-WD48 P9-P10
SH-WD60 P11-P12

NEWS

新技术新工艺新未来 New technology New future
深水LED点光源 Deep water LED point light source

LED点光源-WD系列





产品特点 Features

- 自主知识产权，私模外观设计，工程项目专用
- 电线采用1.2平方纯铜线，三层外被特殊防护
- 超长供电设计，压降小
- 适合水下使用，最大浸水深度可达30米
- 水下抗酸碱、耐腐蚀、抗压性强

- Independent intellectual property rights, private model design, dedicated to lighting engineering projects
- The wire is made of 1.2 mm² copper wire, which is specially protected on the third floor
- Ultra-long power supply design, minimal effects on voltage drop
- Suitable for underwater use, the maximum immersion depth can reach 30 meters
- Underwater resistance to acid and alkali, corrosion resistance, pressure resistance

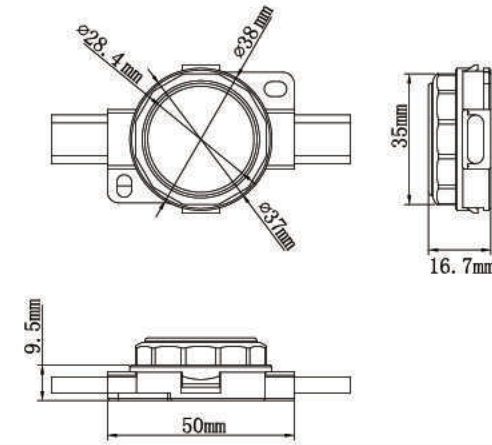
应用范围:

喷泉、瀑布、水池、河道等水下装饰照明
水下显示屏、广场地下灯光造型

Application:

Underwater decorative lighting such as fountain, waterfall, pool, river, etc.
Underwater display, square underground lighting.

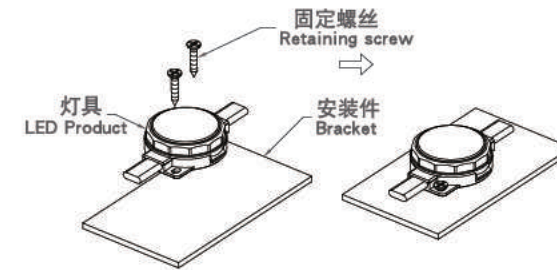
尺寸图 Size chart



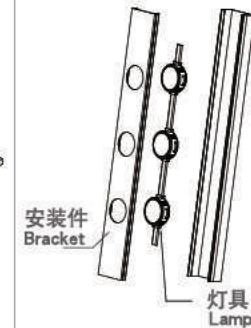
应用安装示意图

Application installation schematic diagram

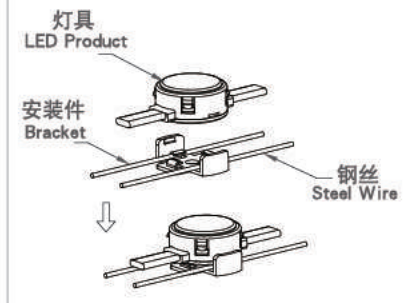
安装方式一 Installation way



安装方式二 Installation way



安装方式三 Installation way



技术参数

technical parameter

光源品牌 light source:	Epistar/Cree/Osram	工作电压 Working voltage:	DC12V/DC15V
灰度等级 Gray level:	256/65536	额定功率 Power:	0.6W/0.9W/1.2W
发光角度 Beam angle:	> 120°	控制方式 Control mode:	DMX/TTL/常亮
灯具尺寸 Lamp size:	50*38*16.7MM	外壳颜色 Shell color:	灰色/黑色
灯珠类型 Led type:	3535RGB/2835White/R/G/B/Y	灯具寿命 Lamp life:	> 50000H
外壳材料 Housing material:	工程塑料	防护等级 Protection level:	IP67
工作温度 Working temperature:	-20℃至60℃	阻燃等级 Flame retardant grade:	94-V0
应用场景 Application:	建筑轮廓/媒体立面/景观照明	电气安全等级 Electrical safety level:	III级

产品选型

Product selection

规格型号 Specification	光源 light source	颜色 Color	亮度 Brightness	工作电压 Voltage	功率 Wattage	控制方式 Control mode
SH-WD38-DMX-RGB	3535 RGB * 3 pcs	RGB	> 7200MCD	DC12V/15V	0.7W/0.9W	DMX
SH-WD38-DMX-RGBW	3535 RGB * 3 pcs + 2835 White * 1 pcs	RGB+White	> 9600MCD	DC12V/15V	0.9W/1.2W	DMX
SH-WD38-DMX-White	2835 White * 3 pcs	White	> 7200MCD	DC12V/15V	0.7W/0.9W	DMX
SH-WD38-TTL-RGB	3535 RGB * 3 pcs	RGB	> 7200MCD	DC12V/15V	0.7W/0.9W	TTL
SH-WD38-Single_Color	2835 * 3 pcs	R/G/B/Y/White	> 7200MCD	DC12V/15V	0.6W	常亮



产品特点 Features

- 自主知识产权，私模外观设计，工程项目专用
- 电线采用1.2平方纯铜线，三层外被特殊防护
- 超长供电设计，压降小
- 适合水下使用，最大浸水深度可达30米
- 水下抗酸碱、耐腐蚀、抗压性强

- Independent intellectual property rights, private model design, dedicated to lighting engineering projects
- The wire is made of 1.2 mm² copper wire, which is specially protected on the third floor
- Ultra-long power supply design, minimal effects on voltage drop
- Suitable for underwater use, the maximum immersion depth can reach 30 meters
- Underwater resistance to acid and alkali, corrosion resistance, pressure resistance

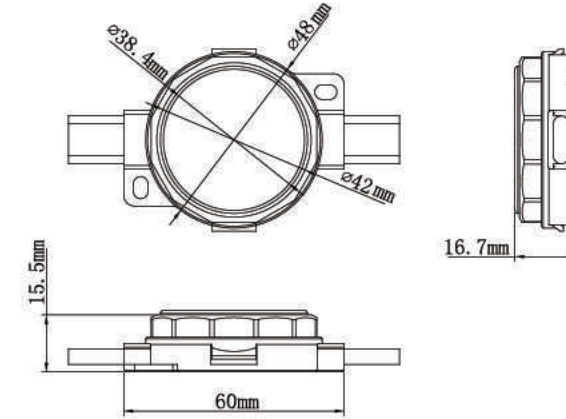
应用范围:

喷泉、瀑布、水池、河道等水下装饰照明
水下显示屏、广场地下灯光造型

Application:

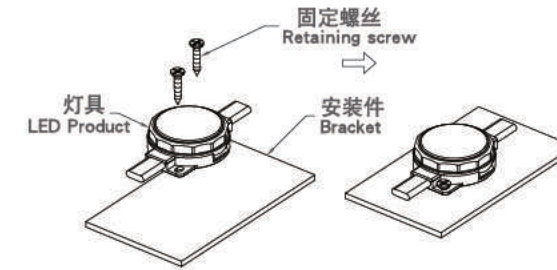
Underwater decorative lighting such as fountain, waterfall, pool, river, etc.
Underwater display, square underground lighting.

尺寸图
Size chart

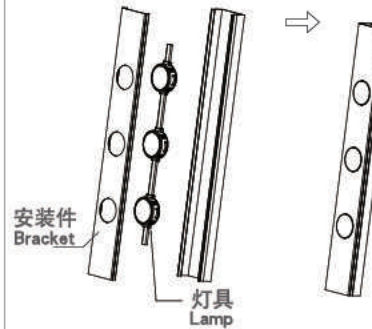


应用安装示意图
Application installation schematic diagram

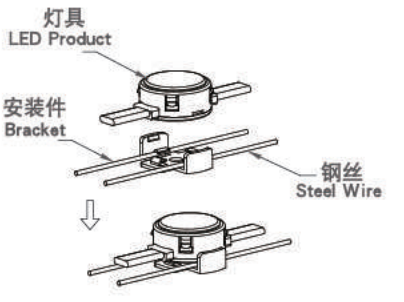
安装方式一
Installation way



安装方式二
Installation way



安装方式三
Installation way

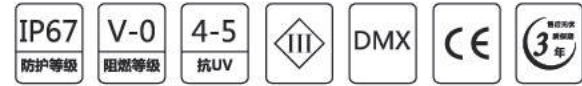


技术参数
technical parameter

光源品牌 light source:	Epistar/Cree/Osram	工作电压 Working voltage:	DC24V
灰度等级 Gray level:	256/65536	额定功率 Power:	1.3W/1.4W/1.8W
发光角度 Beam angle:	> 120°	控制方式 Control mode:	DMX/TTL/常亮
灯具尺寸 Lamp size:	60*48*16.7MM	外壳颜色 Shell color:	灰色/黑色
灯珠类型 Led type:	3535RGB/2835White/R/G/B/Y	灯具寿命 Lamp life:	> 50000H
外壳材料 Housing material:	工程塑料	防护等级 Protection level:	IP67
工作温度 Working temperature:	-20℃至60℃	阻燃等级 Flame retardant grade:	94-V0
应用场景 Application:	建筑轮廓/媒体立面/景观照明	电气安全等级 Electrical safety level:	III级

产品选型
Product selection

规格型号 Specification	光源 light source	颜色 Color	亮度 Brightness	工作电压 Voltage	功率 Wattage	控制方式 Control mode
SH-WD48-DMX-RGB	3535 RGB * 6 pcs	RGB	> 14400MCD	DC24V	1.4W	DMX
SH-WD48-DMX-RGBW	3535 RGB * 6 pcs + 2835 White * 2 pcs	RGB+White	> 21600MCD	DC24V	1.8W	DMX
SH-WD48-DMX-White	2835 White * 6 pcs	White	> 14400MCD	DC24V	1.4W	DMX
SH-WD48-TTL-RGB	3535 RGB * 6 pcs	RGB	> 14400MCD	DC24V	1.4W	TTL
SH-WD48-Single_Color	2835 * 6 pcs	R/G/B/Y/White	> 14400MCD	DC24V	1.3W	常亮



产品特点 Features

- 自主知识产权，私模外观设计，工程项目专用
- 电线采用1.2平方纯铜线，三层外被特殊防护
- 超长供电设计，压降小
- 适合水下使用，最大浸水深度可达30米
- 水下抗酸碱、耐腐蚀、抗压性强

- Independent intellectual property rights, private model design, dedicated to lighting engineering projects
- The wire is made of 1.2 mm² copper wire, which is specially protected on the third floor
- Ultra-long power supply design, minimal effects on voltage drop
- Suitable for underwater use, the maximum immersion depth can reach 30 meters
- Underwater resistance to acid and alkali, corrosion resistance, pressure resistance

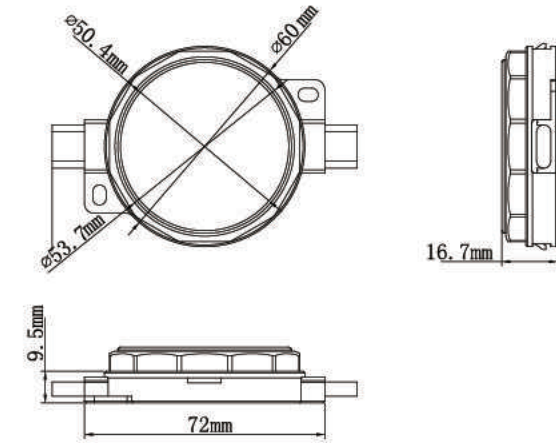
应用范围:

喷泉、瀑布、水池、河道等水下装饰照明
水下显示屏、广场地下灯光造型

Application:

Underwater decorative lighting such as fountain, waterfall, pool, river, etc.
Underwater display, square underground lighting.

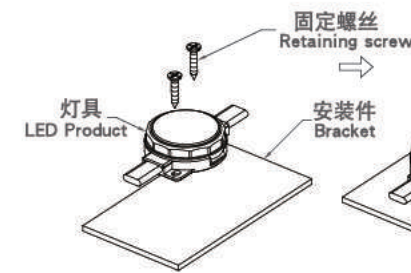
尺寸图 Size chart



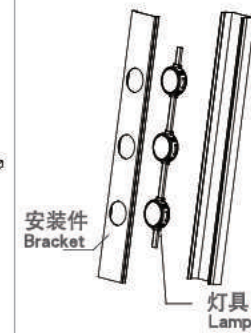
应用安装示意图 Application installation schematic diagram

Application installation schematic diagram

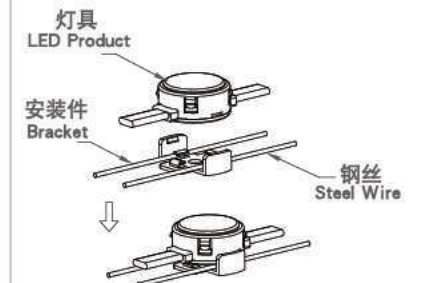
安装方式一 Installation way



安装方式二 Installation way



安装方式三 Installation way



技术参数 technical parameter

technical parameter

光源品牌 light source:	Epistar/Cree/Osram	工作电压 Working voltage:	DC24V
灰度等级 Gray level:	256/65536	额定功率 Power:	2.4W/3W
发光角度 Beam angle:	> 120°	控制方式 Control mode:	DMX/TTL/常亮
灯具尺寸 Lamp size:	72*60*16.7MM	外壳颜色 Shell color:	灰色/黑色
灯珠类型 Led type:	3535RGB/2835White/R/G/B/Y	灯具寿命 Lamp life:	> 50000H
外壳材料 Housing material:	工程塑料	防护等级 Protection level:	IP67
工作温度 Working temperature:	-20℃至60℃	阻燃等级 Flame retardant grade:	94-V0
应用场景 Application:	建筑轮廓/媒体立面/景观照明	电气安全等级 Electrical safety level:	III级

产品选型 Product selection

Product selection

规格型号 Specification	光源 light source	颜色 Color	亮度 Brightness	工作电压 Voltage	功率 Wattage	控制方式 Control mode
SH-WD60-DMX-RGB	3535 RGB * 12 pcs	RGB	≥ 14400MCD	DC24V	2.4W	DMX
SH-WD60-DMX-RGBW	3535 RGB * 12 pcs + 2835 White * 4 pcs	RGB+White	≥ 21600MCD	DC24V	3W	DMX
SH-WD60-DMX-White	2835 White * 12 pcs	White	≥ 14400MCD	DC24V	2.4W	DMX
SH-WD60-TTL-RGB	3535 RGB * 12 pcs	RGB	≥ 14400MCD	DC24V	2.4W	TTL
SH-WD60-Single_Color	2835 * 12 pcs	R/G/B/Y/White	≥ 14400MCD	DC24V	2.4W	常亮

LED点光源-XD系列

LED POINT LIGHT SOURCE -XD series



CONTENTS

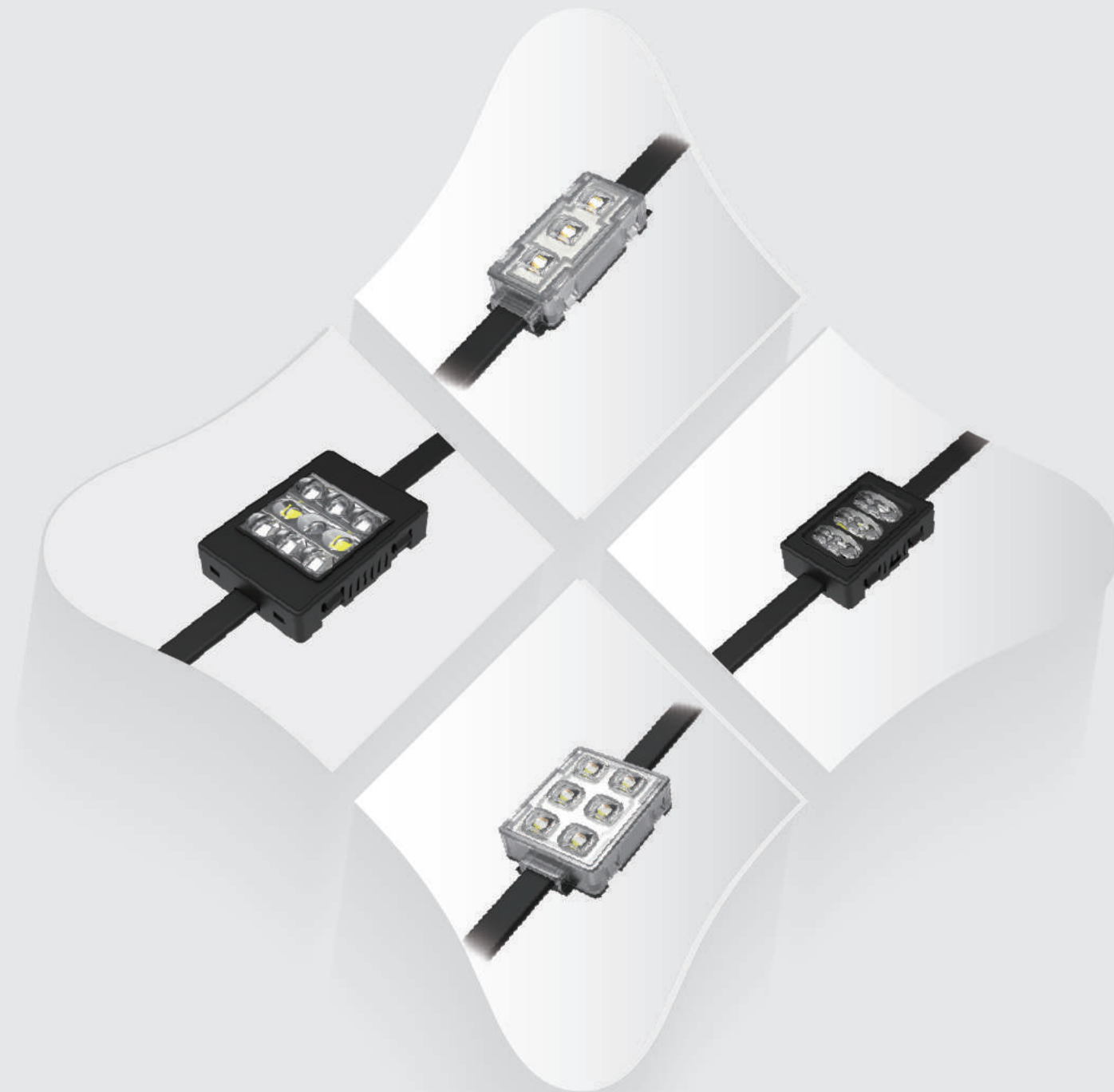
内容

SH-XD10	P15-P16	SH-X13A	P21-P22
SH-XD11	P17-P18	SH-X14A	P23-P24
SH-X12A	P19-P20	SH-X15A	P25-P26

NEWS

新技术新工艺新未来 New technology New future
光学设计LED点光源 Anti-glare LED point light source

LED点光源-XD系列





产品特点 Features

- 自主知识产权，私模外观设计，工程项目专用
- 特殊光学视觉设计，有效降低光污染
- 专业防眩光光学设计
- Independent intellectual property rights, private model design, dedicated to lighting engineering projects
- Special optical vision design to effectively reduce light pollution
- Professional anti-glare optical design

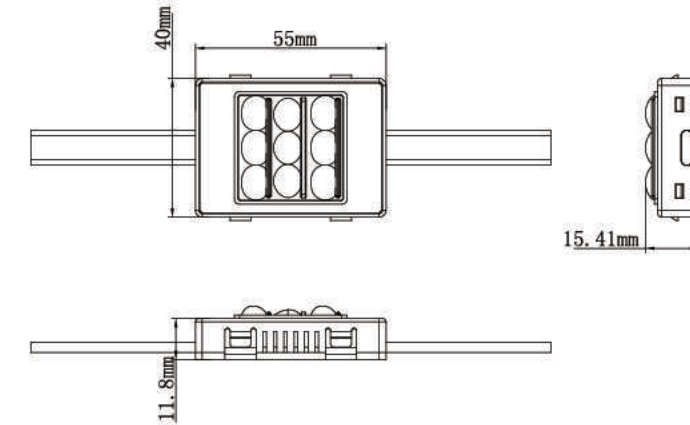
应用范围:

用于多栋楼宇立面媒体屏联动的大型城市景观
用于高层楼体、桥梁等大型建筑物的装饰照明
用于户外、场馆、星级酒店、公园等景观照明

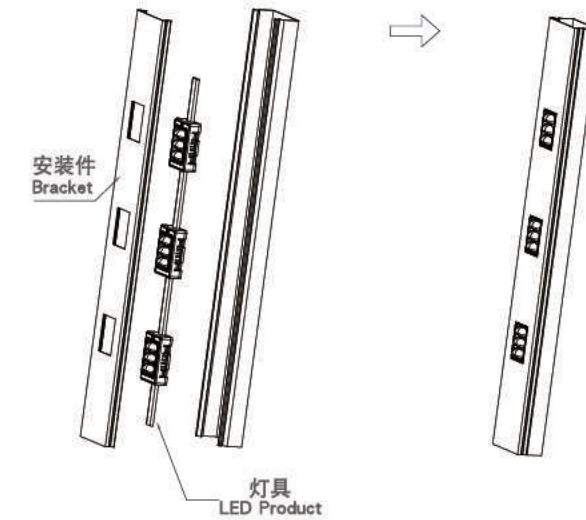
Application:

Large urban landscape for linkage of multiple building facade media screen
Decorative lighting for large building such as high-rise building and bridge
For outdoor lighting, outdoor venue, high-level hotel, park, etc

尺寸图 Size chart



应用安装示意图 Application installation schematic diagram

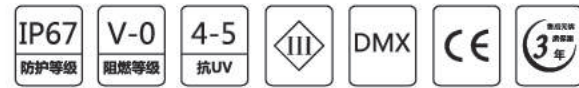


技术参数 technical parameter

光源品牌 light source:	Epistar/Cree/Osram	工作电压 Working voltage:	DC24V
灰度等级 Gray level:	256/65536	额定功率 Power:	1.3W/1.4W/1.8W
发光角度 Beam angle:	> 120°	控制方式 Control mode:	DMX/TTL/常亮
灯具尺寸 Lamp size:	55*40*15.41MM	外壳颜色 Shell color:	灰色/黑色
灯珠类型 Led type:	3535RGB/2835White/R/G/B/Y	灯具寿命 Lamp life:	> 50000H
外壳材料 Housing material:	工程塑料	防护等级 Protection level:	IP67
工作温度 Working temperature:	-20℃至60℃	阻燃等级 Flame retardant grade:	94-V0
应用场景 Application:	建筑轮廓/媒体立面/景观照明	电气安全等级 Electrical safety level:	III级

产品选型 Product selection

规格型号 Specification	光源 light source	颜色 Color	亮度 Brightness	工作电压 Voltage	功率Wattage	控制方式 Control mode
SH-XD10A-DMX-RGB	3535 RGB * 6 pcs	RGB	> 14400MCD	DC24V	1.4W	DMX
SH-XD10A-DMX-RGBW	3535 RGB * 6 pcs + 2835 White * 2 pcs	RGB+White	> 21600MCD	DC24V	1.8W	DMX
SH-XD10A-DMX-White	2835 White * 6 pcs	White	> 14400MCD	DC24V	1.4W	DMX
SH-XD10A-TTL-RGB	3535 RGB * 6 pcs	RGB	> 14400MCD	DC24V	1.4W	TTL
SH-XD10A-Single_Color	2835 * 6 pcs	R/G/B/Y/White	> 14400MCD	DC24V	1.3W	常亮



产品特点 Features

- 自主知识产权，私模外观设计，工程项目专用
- 特殊光学视觉设计，有效降低光污染
- 专业防眩光光学设计
- Independent intellectual property rights, private model design, dedicated to lighting engineering projects
- Special optical vision design to effectively reduce light pollution
- Professional anti-glare optical design

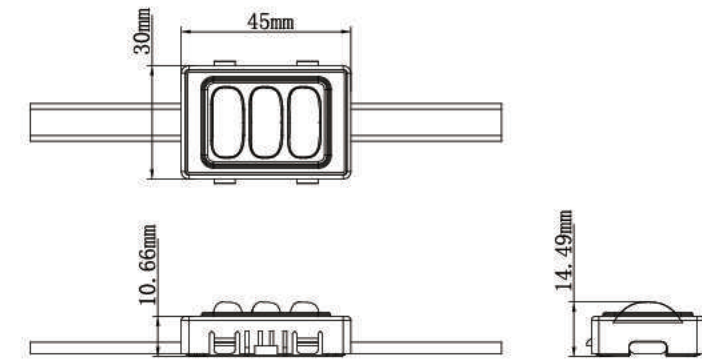
应用范围:

用于多栋楼宇立面媒体屏联动的大型城市景观
用于高层楼体、桥梁等大型建筑物的装饰照明
用于户外、场馆、星级酒店、公园等景观照明

Application:

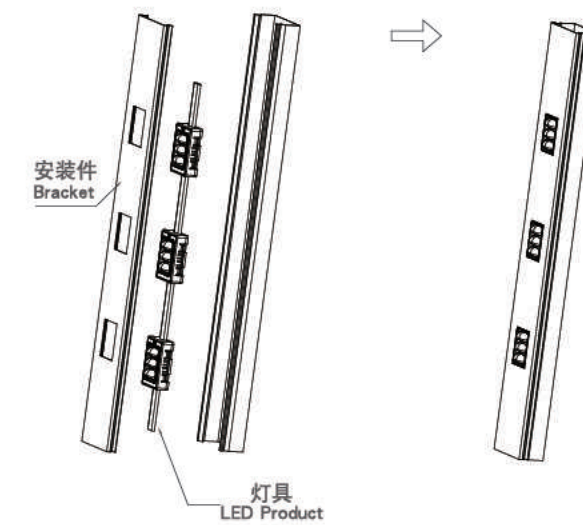
Large urban landscape for linkage of multiple building facade media screen
Decorative lighting for large building such as high-rise building and bridge
For outdoor lighting, outdoor venue, high-level hotel, park, etc

尺寸图 Size chart



应用安装示意图

Application installation schematic diagram



技术参数

technical parameter

光源品牌 light source:	Epistar/Cree/Osram	工作电压 Working voltage:	DC15V/DC24V
灰度等级 Gray level:	256/65536	额定功率 Power:	0.9W/1.3W/1.4W/1.8W
发光角度 Beam angle:	> 120°	控制方式 Control mode:	DMX/TTL/常亮
灯具尺寸 Lamp size:	45*30*14.5MM	外壳颜色 Shell color:	灰色/黑色
灯珠类型 Led type:	3535RGB/2835White/R/G/B/Y	灯具寿命 Lamp life:	> 50000H
外壳材料 Housing material:	工程塑料	防护等级 Protection level:	IP67
工作温度 Working temperature:	-20℃至60℃	阻燃等级 Flame retardant grade:	94-V0
应用场景 Application:	建筑轮廓/媒体立面/景观照明	电气安全等级 Electrical safety level:	III级

产品选型

Product selection

规格型号 Specification	光源 light source	颜色 Color	亮度 Brightness	工作电压 Voltage	功率 Wattage	控制方式 Control mode
SH-XD11-DMX-RGB	3535 RGB * 6 pcs	RGB	> 14400MCD	DC24V	1.4W	DMX
SH-XD11-DMX-RGBW	3535 RGB * 6 pcs + 2835 White * 2 pcs	RGB+White	> 21600MCD	DC24V	1.8W	DMX
SH-XD11-DMX-White	2835 White * 6 pcs	White	> 14400MCD	DC24V	1.4W	DMX
SH-XD11-TTL-RGB	3535 RGB * 6 pcs	RGB	> 14400MCD	DC24V	1.4W	TTL
SH-XD11-Single_Color	2835 * 6 pcs	R/G/B/Y/White	> 14400MCD	DC24V	1.3W	常亮
SH-XD11-DMX-RGB	3535 RGB * 6 pcs	RGB	> 9600MCD	DC15V/DC24V	0.9W/1.2W	DMX
SH-XD11-DMX-RGBW	3535 RGB * 4 pcs + 2835 White * 2 pcs	RGB+White	> 14400MCD	DC15V/DC24V	1.2W/1.5W	DMX



产品特点 Features

- 自主知识产权，私模外观设计，工程项目专用
- 特殊光学视觉设计，有效降低光污染
- 专业防眩光光学设计
- Independent intellectual property rights, private model design, dedicated to lighting engineering projects
- Special optical vision design to effectively reduce light pollution
- Professional anti-glare optical design

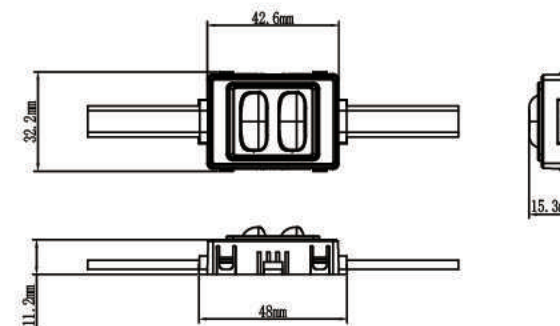
应用范围:

用于多栋楼宇立面媒体屏联动的大型城市景观
用于高层楼体、桥梁等大型建筑物的装饰照明
用于户外、场馆、星级酒店、公园等景观照明

Application:

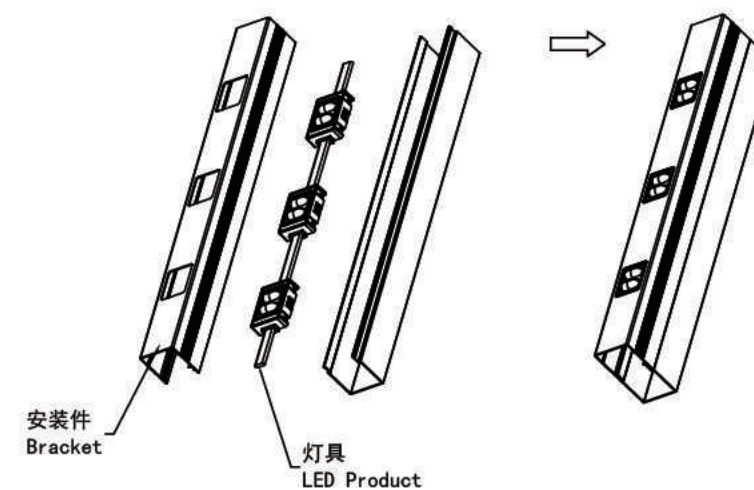
Large urban landscape for linkage of multiple building facade media screen
Decorative lighting for large building such as high-rise building and bridge
For outdoor lighting, outdoor venue, high-level hotel, park, etc

尺寸图 Size chart



应用安装示意图

Application installation schematic diagram



技术参数

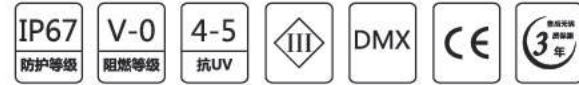
technical parameter

光源品牌 light source:	Epistar/Cree/Osram	工作电压 Working voltage:	DC24V
灰度等级 Gray level:	256/65536	额定功率 Power:	1.4W/1.8W
发光角度 Beam angle:	> 120°	控制方式 Control mode:	DMX/TTL/常亮
灯具尺寸 Lamp size:	48*32.2*15.3mm	外壳颜色 Shell color:	灰色/黑色
灯珠类型 Led type:	3535RGB/2835White/R/G/B/Y	灯具寿命 Lamp life:	> 50000H
外壳材料 Housing material:	945U PC	防护等级 Protection level:	IP67
工作温度 Working temperature:	-20℃至60℃	阻燃等级 Flame retardant grade:	94-V0
应用场景 Application:	建筑轮廓/媒体立面/景观照明	电气安全等级 Electrical safety level:	III级

产品选型

Product selection

规格型号 Specification	光源 light source	颜色 Color	亮度 Brightness	工作电压 Voltage	功率 Wattage	控制方式 Control mode
SH-X12A-DMX-RGB	3535 RGB* 6PCS	RGB	≥14400MCD	DC24V	1.4W	DMX
SH-X12A-DMX-RGBW	3535 RGB* 4PCS+2835 White*2pcs	RGB+W	≥24000MCD	DC24V	1.4W	DMX
SH-X12A-DMX-White	2835 White*8pcs	2200K-6500K	≥43200MCD	DC24V	1.4W	DMX
SH-X12A-SingleColor	2835 *6pcs	R/G/B/Y/White	≥43200MCD	DC24V	1.4W	ON-OFF



产品特点 Features

- 自主知识产权，私模外观设计，工程项目专用
- 特殊光学视觉设计，有效降低光污染
- 专业防眩光光学设计
- Independent intellectual property rights, private model design, dedicated to lighting engineering projects
- Special optical vision design to effectively reduce light pollution
- Professional anti-glare optical design

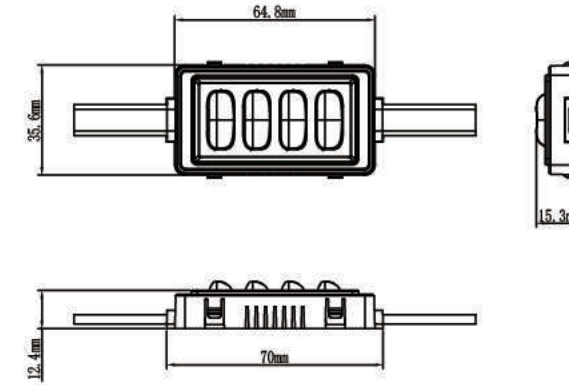
应用范围:

用于多栋楼宇立面媒体屏联动的大型城市景观
用于高层楼体、桥梁等大型建筑物的装饰照明
用于户外、场馆、星级酒店、公园等景观照明

Application:

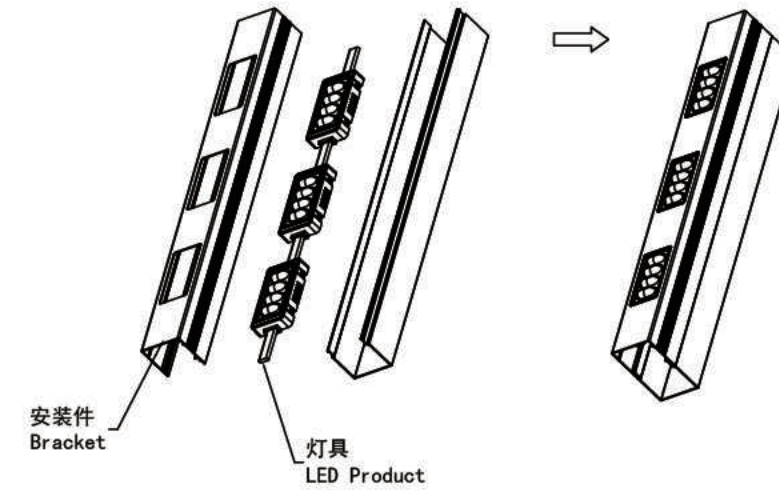
Large urban landscape for linkage of multiple building facade media screen
Decorative lighting for large building such as high-rise building and bridge
For outdoor lighting, outdoor venue, high-level hotel, park, etc

尺寸图 Size chart



应用安装示意图

Application installation schematic diagram



技术参数

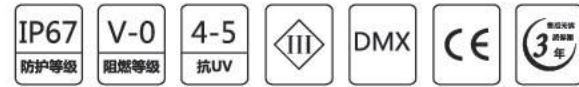
technical parameter

光源品牌 light source:	Epistar/Cree/Osram	工作电压 Working voltage:	DC24V
灰度等级 Gray level:	256/65536	额定功率 Power:	2.4W/3W
发光角度 Beam angle:	> 120°	控制方式 Control mode:	DMX/TTL/ON-OFF
灯具尺寸 Lamp size:	70*35.6*15.3mm	外壳颜色 Shell color:	DMX/TTL/常亮
灯珠类型 Led type:	3535RGB/2835White/R/G/B/Y	灯具寿命 Lamp life:	> 50000H
外壳材料 Housing material:	945U PC	防护等级 Protection level:	IP67
工作温度 Working temperature:	-20℃至60℃	阻燃等级 Flame retardant grade:	94-V0
应用场景 Application:	建筑轮廓/媒体立面/景观照明	电气安全等级 Electrical safety level:	III级

产品选型

Product selection

规格型号 Specification	光源 light source	颜色 Color	亮度 Brightness	工作电压 Voltage	功率 Wattage	控制方式 Control mode
SH-X13A-DMX-RGB	3535 RGB* 12PCS	RGB	> 14400MCD	DC24V	2.4W	DMX
SH-X13A-DMX-RGBW	3535 RGB* 8PCS+2835 White*4pcs	RGB+W	> 21600MCD	DC24V	3W	DMX
SH-X13A-DMX-White	2835 White*12pcs	2200K-6500K	> 14400MCD	DC24V	2.4W	DMX
SH-X13A-SingleColor	2835 *12pcs	R/G/B/Y/White	> 14400MCD	DC24V	2.4W	ON-OFF



产品特点 Features

- 自主知识产权，私模外观设计，工程项目专用
- 特殊光学视觉设计，有效降低光污染
- 专业防眩光光学设计
- Independent intellectual property rights, private model design, dedicated to lighting engineering projects
- Special optical vision design to effectively reduce light pollution
- Professional anti-glare optical design

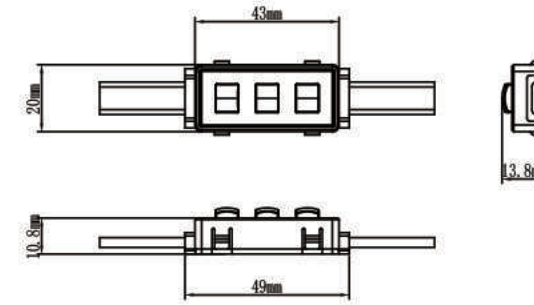
应用范围:

用于多栋楼宇立面媒体屏联动的大型城市景观
用于高层楼体、桥梁等大型建筑物的装饰照明
用于户外、场馆、星级酒店、公园等景观照明

Application:

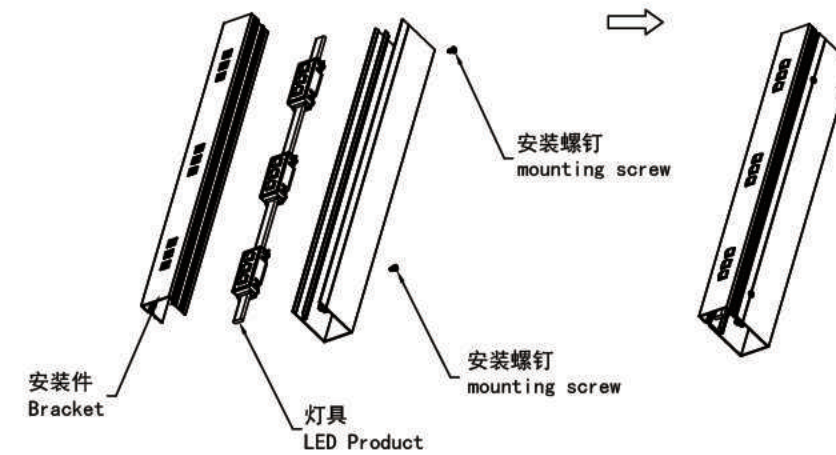
Large urban landscape for linkage of multiple building facade media screen
Decorative lighting for large building such as high-rise building and bridge
For outdoor lighting, outdoor venue, high-level hotel, park, etc

尺寸图 Size chart



应用安装示意图

Application installation schematic diagram



技术参数

technical parameter

光源品牌 Light source:	Epistar/Cree/Osram	工作电压 Working voltage:	DC12V
灰度等级 Gray level:	256/65536	额定功率 Power:	0.7W/0.9W
发光角度 Beam angle:	≥ 120°	控制方式 Control mode:	DMX/TTL/ON-OFF
灯具尺寸 Lamp size:	48*20*13.8mm	外壳颜色 Shell color:	DMX/TTL/常亮
灯珠类型 Led type:	3535RGB/2835White/R/G/B/Y	灯具寿命 Lamp life:	> 50000H
外壳材料 Housing material:	945U PC	防护等级 Protection level:	IP67
工作温度 Working temperature:	-20℃至60℃	阻燃等级 Flame retardant grade:	94-V0
应用场景 Application:	建筑轮廓/媒体立面/景观照明	电气安全等级 Electrical safety level:	III级

产品选型

Product selection

规格型号 Specification	光源 Light source	颜色 Color	亮度 Brightness	工作电压 Voltage	功率 Wattage	控制方式 Control mode
SH-X14A-DMX-RGB	5050 RGB*3PCS	RGB	≥7200MCD	DC12V	0.7W	DMX
SH-X14A-DMX-RGBW	5050 RGBW*3PCS	RGBW	≥28800MCD	DC12V	0.9W	DMX
SH-X14A-DMX-RGBWW	5050 RGBWW*3PCS	RGBWW	≥50400MCD	DC12V	0.9W	DMX
SH-X14A-DMX-White	2835 White*3pcs	2200-6500K	≥21600MCD	DC24V	0.7W	DMX
SH-X14A-DMX-WW	5050 WW *3PCS	2200-6500K	≥43200MCD	DC12V	0.7W	DMX
SH-X14A-SingleColor	2835 White*3pcs	2200-6500K	≥21600MCD	DC12V	0.7W	ON-OFF



产品特点 Features

- 自主知识产权，私模外观设计，工程项目专用
- 特殊光学视觉设计，有效降低光污染
- 专业防眩光光学设计
- DMX512 RGBCW 满足各种阶段色温光学广角设计，发光角度可达140°
- Independent intellectual property rights, private model design, dedicated to lighting engineering projects
- Special optical vision design to effectively reduce light pollution
- Professional anti-glare optical design
- DMX512 rgbcw meets the optical wide-angle design of color temperature in various stages, and the luminous angle can reach 140°

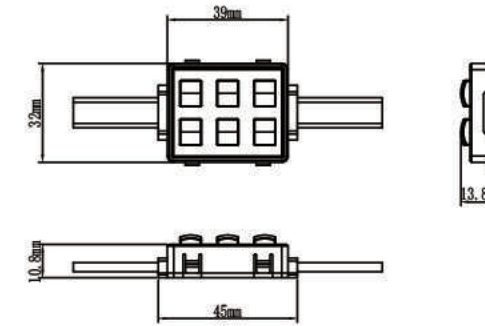
应用范围:

用于多栋楼宇立面媒体屏联动的大型城市景观
用于高层楼体、桥梁等大型建筑物的装饰照明
用于户外、场馆、星级酒店、公园等景观照明

Application:

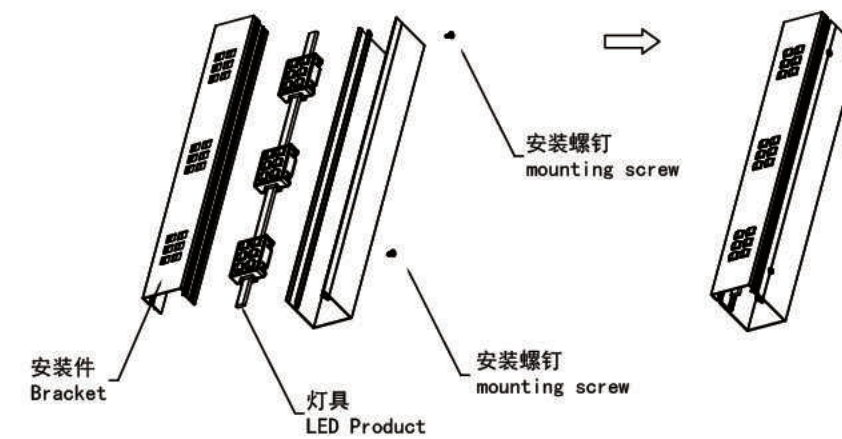
Large urban landscape for linkage of multiple building facade media screen
Decorative lighting for large building such as high-rise building and bridge
For outdoor lighting, outdoor venue, high-level hotel, park, etc

尺寸图 Size chart



应用安装示意图

Application installation schematic diagram



技术参数

technical parameter

光源品牌 light source:	Epistar/Cree/Osram	工作电压 Working voltage:	DC24V
灰度等级 Gray level:	256/65536	额定功率 Power:	1.4W/2W/2.6W
发光角度 Beam angle:	> 120°	控制方式 Control mode:	DMX/TTL/常亮
灯具尺寸 Lamp size:	45*32*13.8mm	外壳颜色 Shell color:	灰色/黑色
灯珠类型 Led type:	3535RGB/2835White/R/G/B/Y	灯具寿命 Lamp life:	> 50000H
外壳材料 Housing material:	945U PC	防护等级 Protection level:	IP67
工作温度 Working temperature:	-20℃至60℃	阻燃等级 Flame retardant grade:	94-V0
应用场景 Application:	建筑轮廓/媒体立面/景观照明	电气安全等级 Electrical safety level:	III级

产品选型

Product selection

规格型号 Specification	光源 light source	颜色 Color	亮度 Brightness	工作电压 Voltage	功率 Wattage	控制方式 Control mode
SH-X15A-DMX-RGB	5050 RGB*6PCS	RGB	> 14400MCD	DC24V	2W	DMX
SH-X15A-DMX-RGBW	5050 RGBW*6PCS	RGBW	> 57600MCD	DC24V	2.6W	DMX
SH-X15A-DMX-RGBWW	5050 RGBWW*6PCS	RGBWW	> 100800MCD	DC24V	2.6W	DMX
SH-X15A-DMX-White	2835 White*6pcs	2200-6500K	> 43200MCD	DC24V	1.4W	DMX
SH-X15A-DMX-WW	5050 WW *6PCS	2200-6500K	> 88400MCD	DC24V	2W	DMX
SH-X15A-SingleColor	2835 White*6pcs	2200-6500K	> 43200MCD	DC24V	1.4W	ON-OFF

LED点光源-AD系列

LED POINT LIGHT SOURCE -AD series



CONTENTS

内容

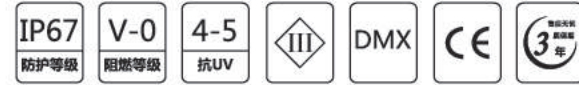
SH-AD10	P29-P30	SH-AD85	P35-P36
SH-AD33	P31-P32	SH-AD11	P37-P38
SH-AD42	P33-P34		

NEWS

新技术新工艺新未来 New technology New future
压铸铝LED点光源 Aluminum alloy led pixel point light

LED点光源-AD系列





产品特点 Features

- 自主知识产权，私模外观设计，工程项目专用
- 采用专用压铸铝材，机械强度高，散热性能好
- 特殊卡口设计，安装简单迅速、方便快捷
- 采用PU胶灌胶，不易开裂，产品防护等级高
- 线材及外壳选用抗寒、抗UV、阻燃材料，适合长期户外使用
- Independent intellectual property rights, private model design, dedicated to lighting engineering projects
- Adopt special die-cast aluminum material with high mechanical strength and good heat dissipation performance
- Special bayonet design, easy and quick to install
- Adopt PU glue filling glue, which is not easy to crack and has high product protection grade
- The wire and shell are made of cold-resistant, UV-resistant and flame-retardant materials, suitable for long-term outdoor use

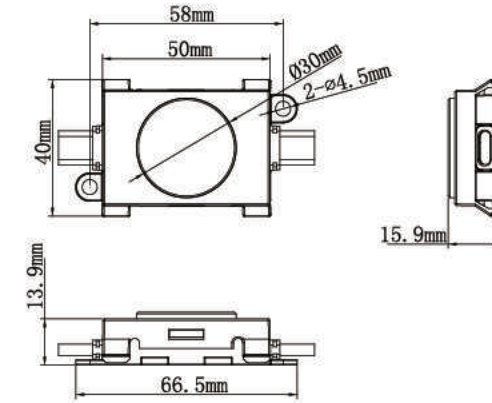
应用范围:

用于多栋楼宇立面媒体屏联动的大型城市景观
用于高层楼体、桥梁等大型建筑物的装饰照明
用于户外、场馆、星级酒店、公园等景观照明

Application:

Large urban landscape for linkage of multiple building facade media screen
Decorative lighting for large building such as high-rise building and bridge
For outdoor lighting, outdoor venue, high-level hotel, park, etc

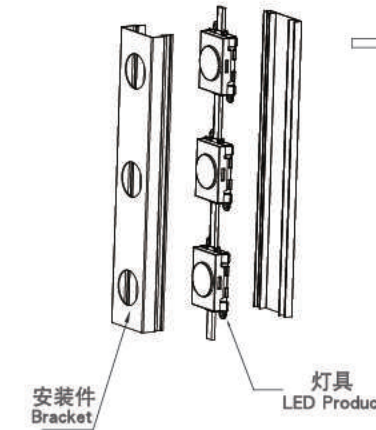
尺寸图 Size chart



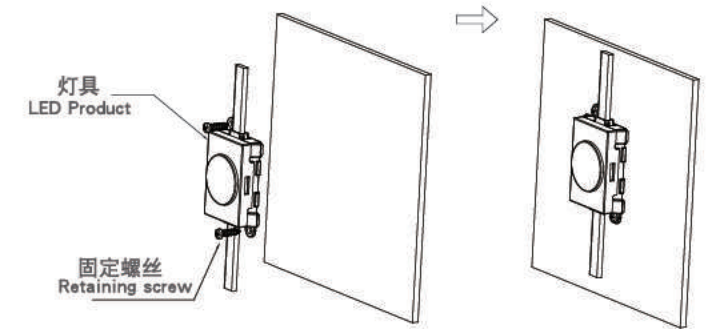
应用安装示意图

Application installation schematic diagram

安装方式一 Installation way



安装方式二 Installation way



技术参数

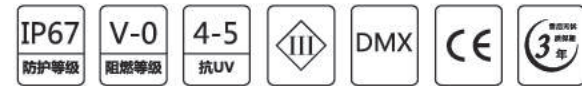
technical parameter

光源品牌 light source:	Epistar/Cree/Osram	工作电压 Working voltage:	DC15V/DC24V
灰度等级 Gray level:	256/65536	额定功率 Power:	0.9W/1.2W/1.4W/1.8W
发光角度 Beam angle:	> 120°	控制方式 Control mode:	DMX/TTL/常亮
灯具尺寸 Lamp size:	50*40*15.9MM	外壳颜色 Shell color:	灰色/黑色
灯珠类型 Led type:	3535RGB/2835White/R/G/B/Y	灯具寿命 Lamp life:	> 50000H
外壳材料 Housing material:	压铸铝	防护等级 Protection level:	IP67
工作温度 Working temperature:	-20℃至60℃	阻燃等级 Flame retardant grade:	94-V0
应用场景 Application:	建筑轮廓/媒体立面/景观照明	电气安全等级 Electrical safety level:	III级

产品选型

Product selection

规格型号 Specification	光源 light source	颜色 Color	亮度 Brightness	工作电压 Voltage	功率 Wattage	控制方式 Control mode
SH-AD10-DMX-RGB	3535RGB*4	RGB	> 9600MCD	DC15V/DC24V	0.9W/1.2W	DMX
SH-AD10-DMX-RGB	3535RGB*6	RGB	> 14400MCD	DC24V	1.4W	DMX
SH-AD10-DMX-RGBW	3535RGB*4+2835W*2	RGBW	> 12800MCD	DC15V/DC24V	1.2W/1.4W	DMX
SH-AD10-DMX-RGBW	3535RGB*6+2835W*2	RGBW	> 19200MCD	DC24V	1.8W	DMX
SH-AD10-DMX-White	2835W*4	2200-6500K	> 9600MCD	DC15V/DC24V	0.9W/1.2W	DMX



产品特点 Features

- 自主知识产权，专利外观设计，工程项目专用
- 采用专用压铸铝材，机械强度高，散热性能好
- 采特殊卡口设计，安装简单迅速、方便快捷
- 采用PU胶灌封，不易开裂，产品防护等级高。
- 线材及外壳选用抗寒，抗UV，阻燃材料，适合长期户外使用。
- Independent intellectual property rights, private model design, dedicated to lighting engineering projects
- Adopt special die-cast aluminum material with high mechanical strength and good heat dissipation performance
- Special bayonet design, easy and quick to install
- With PU glue sealing, not easy to crack, high waterproof grade.
- Cables and case are using anti-cold, anti-UV, anti-flamere sistant material, can be used in outdoor for long time.

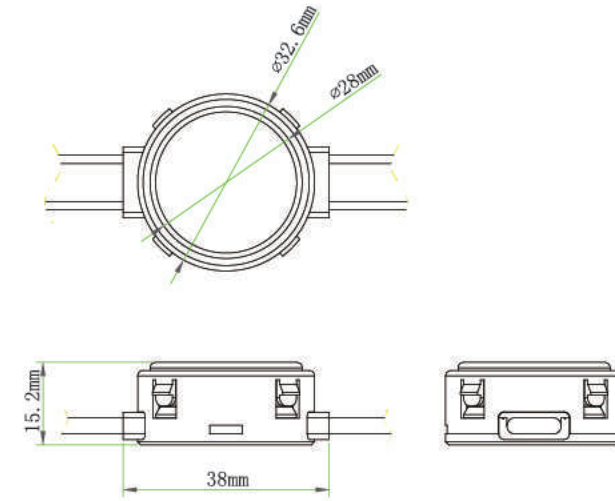
应用范围:

用于多栋楼宇立面媒体屏联动的大型城市景观
用于高层楼体、桥梁等大型建筑物的装饰照明
用于户外、场馆、星级酒店、公园等景观照明

Application:

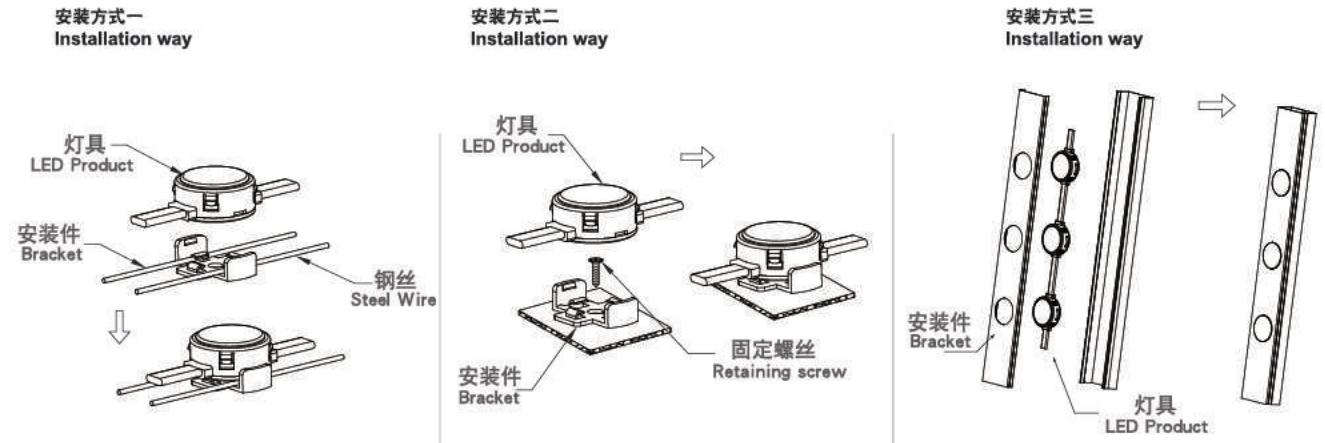
Large urban landscape for linkage of multiple building facade media screen
Decorative lighting for large building such as high-rise building and bridge
For outdoor lighting, outdoor venue, high-level hotel, park, etc

尺寸图 Size chart



应用安装示意图

Application installation schematic diagram



技术参数

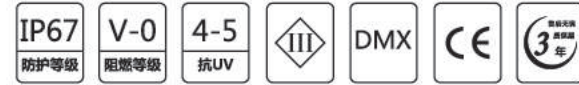
technical parameter

光源品牌 Light source:	Epistar/Cree/Osram/Lumileds	工作电压 Working voltage:	DC12V/DC15V/DC24V
灰度等级 Gray level:	256 / 65536	额定功率 Power:	0.7W/0.9W/1.2W/1.4W
发光角度 Beam angle:	> 120°	控制方式 Control mode:	DMX/TTL/常亮
灯具尺寸 Lamp size:	φ 27.95*15.8*33mm	外壳颜色 Shell color:	灰色/黑色
灯珠类型 Led type:	3535RGB/2835White/R/G/B/Y	灯具寿命 Lamp life:	> 50000H
外壳材料 Housing material:	压铸铝	防护等级 Protection level:	IP67
工作温度 Working temperature:	-20℃至60℃	阻燃等级 Flame retardant grade:	94-V0
应用场景 Application:	建筑轮廓/媒体立面/景观照明	电气安全等级 Electrical safety level:	III级

产品选型

Product selection

规格型号 Specification	光源 light source	颜色 Color	亮度 Brightness	工作电压 Voltage	功率 Wattage	控制方式 Control mode
SH-AD33-DMX-RGB	3535 RGB * 3 pcs	RGB	> 7200MCD	DC12V/15V	0.7W/0.9W	DMX
SH-AD33-DMX-RGBW	3535RGB*3+2835W*1	RGBW	> 9600MCD	DC12V/15V	0.9W/1.2W	DMX
SH-AD33-DMX-White	2835W*3	2200-6500K	> 7200MCD	DC12V/15V/24V	0.7W/0.9W/1.4W	DMX
SH-AD33-TTL-RGB	3535RGB*3	RGB	> 7200MCD	DC12V/15V	0.7W/0.9W	TTL
SH-AD33-SingleColor	2835W*3	2200-6500K	> 9600MCD	DC12V/15V/24V	0.6W/0.9W	常亮



产品特点 Features

- 自主知识产权，专利外观设计，工程项目专用
- 采用专用压铸铝材，机械强度高，散热性能好
- 采特殊卡口设计，适用于任何板材，打孔后直接安装，安装简单迅速、方便快捷
- 采用PU胶灌封，不易开裂，产品防护等级高。
- 线材及外壳选用抗寒，抗UV，阻燃材料，适合长期户外使用。
- Independent intellectual property rights, private model design, dedicated to lighting engineering projects
- Adopt special die-cast aluminum material with high mechanical strength and good heat dissipation performance
- With special snap joint constructoin, suitable for all kinds of board. Directly to install after dig the holes, installation is easy and quickly, very convenient.
- With PU glue sealing, not easy to crack, high waterproof grade.
- Cables and case are using anti-cold, anti-UV, anti-flamere sistant material, can be used in outdoor for long time.

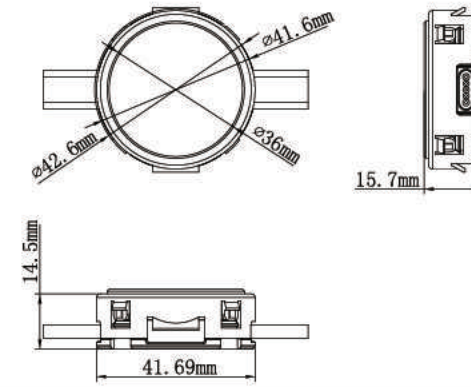
应用范围:

用于多栋楼宇立面媒体屏联动的大型城市景观
用于高层楼体、桥梁等大型建筑物的装饰照明
用于户外、场馆、星级酒店、公园等景观照明

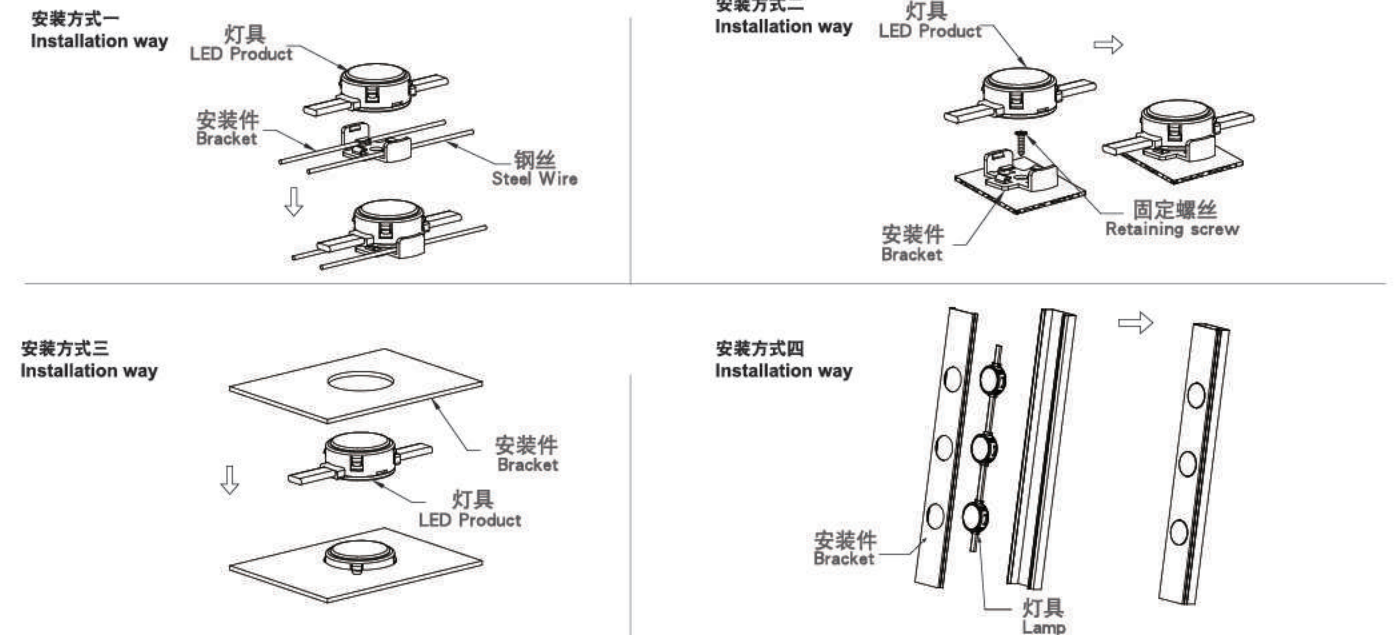
Application:

Large urban landscape for linkage of multiple building facade media screen
Decorative lighting for large building such as high-rise building and bridge
For outdoor lighting, outdoor venue, high-level hotel, park, etc

尺寸图 Size chart



应用安装示意图 Application installation schematic diagram



技术参数 technical parameter

光源品牌 light source:	Epistar/Cree/Osram	工作电压 Working voltage:	DC15V/DC24V
灰度等级 Gray level:	256 / 65536	额定功率 Power:	0.9W/1.3W/1.4W/1.8W
发光角度 Beam angle:	> 120°	控制方式 Control mode:	DMX/TTL/常亮
灯具尺寸 Lamp size:	φ 41.6*15.7*41.69mm	外壳颜色 Shell color:	灰色/黑色
灯珠类型 Led type:	3535RGB/2835White/R/G/B/Y	灯具寿命 Lamp life:	> 50000H
外壳材料 Housing material:	压铸铝	防护等级 Protection level:	IP67
工作温度 Working temperature:	-20℃至60℃	阻燃等级 Flame retardant grade:	94-V0
应用场景 Application:	建筑轮廓/媒体立面/景观照明	电气安全等级 Electrical safety level:	III级

产品选型 Product selection

规格型号 Specification	光源 light source	颜色 Color	亮度 Brightness	工作电压 Voltage	功率Wattage	控制方式 Control mode
SH-AD42-DMX-RGB	3535 RGB * 4 pcs	RGB	> 9600MCD	DC15V/24V	0.9W/1.2W	DMX
SH-AD42-DMX-RGB	3535 RGB * 6 pcs	RGB	> 14400MCD	DC24V	1.4W	DMX
SH-AD42-DMX-RGBW	3535RGB*4+2835W*2	RGBW	> 12800MCD	DC15V/24V	1.2W/1.5W	DMX
SH-AD42-DMX-RGBW	3535RGB*6+2835W*2	RGBW	> 19200MCD	DC24V	1.8W	DMX
SH-AD42-DMX-White	2835W*6	2200-6500K	> 14400MCD	DC24V	1.4W	DMX
SH-AD42-TTL-RGB	3535RGB*6	RGB	> 14400MCD	DC24V	1.4W	TTL
SH-AD42-SingleColor	2835W*6	2200-6500K	> 14400MCD	DC24V	1.3W	常亮



产品特点 Features

- 自主知识产权，私模外观设计，工程项目专用
- 采用专用压铸铝材，机械强度高，散热性能好
- 采用SMD3535RGB高亮全彩灯珠，发光角度大
- 采用PU胶灌胶，不易开裂，产品防护等级高
- 线材及外壳选用抗寒、抗UV、阻燃材料，适合长期户外使用
- Independent intellectual property rights, private model design, dedicated to lighting engineering projects
- Adopt special die-cast aluminum material with high mechanical strength and good heat dissipation performance
- Adopt SMD3535RGB high-bright full-color lamp beads with large illumination angle
- Adopt PU glue filling glue, which is not easy to crack and has high product protection grade
- The wire and shell are made of cold-resistant, UV-resistant and flame-retardant materials, suitable for long-term outdoor use

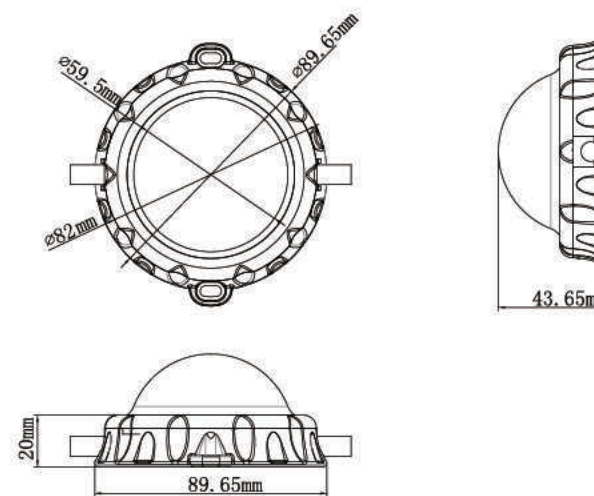
应用范围:

用于多栋楼宇立面媒体屏联动的大型城市景观
用于高层楼体、桥梁等大型建筑物的装饰照明
用于户外、场馆、星级酒店、公园等景观照明

Application:

Large urban landscape for linkage of multiple building facade media screen
Decorative lighting for large building such as high-rise building and bridge
For outdoor lighting, outdoor venue, high-level hotel, park, etc

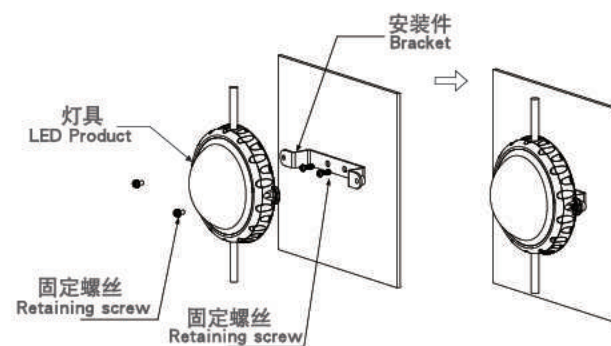
尺寸图 Size chart



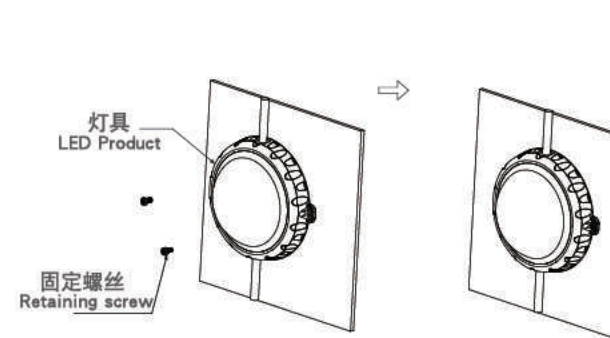
应用安装示意图

Application installation schematic diagram

安装方式 Installation way



安装方式二 Installation way



技术参数

technical parameter

光源品牌 light source:	Epistar/Cree/Osram	工作电压 Working voltage:	DC24V
灰度等级 Gray level:	256/65536	额定功率 Power:	2.6W/2.8W/3.6W
发光角度 Beam angle:	> 120°	控制方式 Control mode:	DMX/TTL/常亮
灯具尺寸 Lamp size:	89.65*43.65*89.65mm	外壳颜色 Shell color:	灰色/黑色
灯珠类型 Led type:	3535RGB/2835White/R/G/B/Y	灯具寿命 Lamp life:	>50000H
外壳材料 Housing material:	压铸铝	防护等级 Protection level:	IP67
工作温度 Working temperature:	-20℃至60℃	阻燃等级 Flame retardant grade:	94-V0
应用场景 Application:	建筑轮廓/媒体立面/景观照明	电气安全等级 Electrical safety level:	III级

产品选型

Product selection

规格型号 Specification	光源 light source	颜色 Color	亮度 Brightness	工作电压 Voltage	功率 Wattage	控制方式 Control mode
SH-AD85-DMX-RGB	3535 RGB * 12 pcs	RGB	>28800MCD	DC24V	2.8W	DMX
SH-AD85-DMX-RGBW	3535 RGB * 12 pcs + 2835 White * 4 pcs	RGB+White	>38400MCD	DC24V	3.6W	DMX
SH-AD85-DMX-White	2835 White * 12 pcs	White	>28800MCD	DC24V	2.8W	DMX
SH-AD85-TTL-RGB	3535 RGB * 12 pcs	RGB	>28800MCD	DC24V	2.8W	TTL
SH-AD85-Single_Color	2835 * 12 pcs	R/G/B/Y/White	>28800MCD	DC24V	2.6W	常亮



产品特点 Features

- 自主知识产权，私模外观设计，工程项目专用
- 采用专用压铸铝材，机械强度高，散热性能好
- 采用SMD3535RGB高亮全彩灯珠，发光角度大
- 采用PU胶灌胶，不易开裂，产品防护等级高
- 线材及外壳选用抗寒、抗UV、阻燃材料，适合长期户外使用
- Independent intellectual property rights, private model design, dedicated to lighting engineering projects
- Adopt special die-cast aluminum material with high mechanical strength and good heat dissipation performance
- Adopt SMD3535RGB high-bright full-color lamp beads with large illumination angle
- Adopt PU glue filling glue, which is not easy to crack and has high product protection grade
- The wire and shell are made of cold-resistant, UV-resistant and flame-retardant materials, suitable for long-term outdoor use

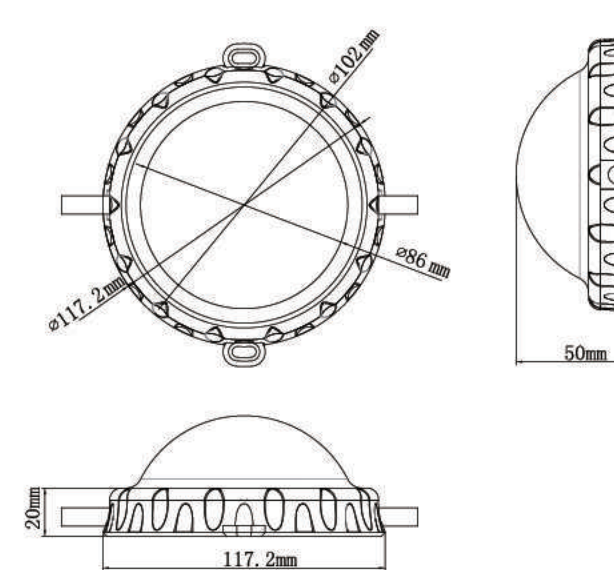
应用范围:

用于多栋楼宇立面媒体屏联动的大型城市景观
用于高层楼体、桥梁等大型建筑物的装饰照明
用于户外、场馆、星级酒店、公园等景观照明

Application:

Large urban landscape for linkage of multiple building facade media screen
Decorative lighting for large building such as high-rise building and bridge
For outdoor lighting, outdoor venue, high-level hotel, park, etc

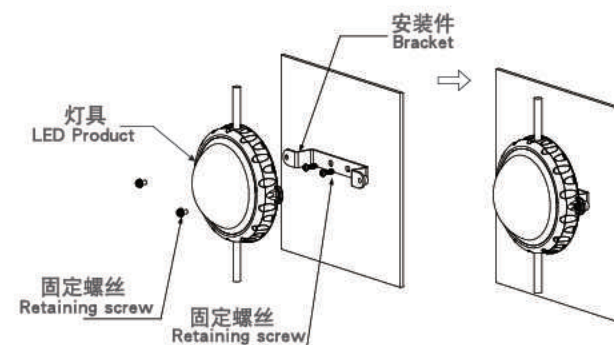
尺寸图 Size chart



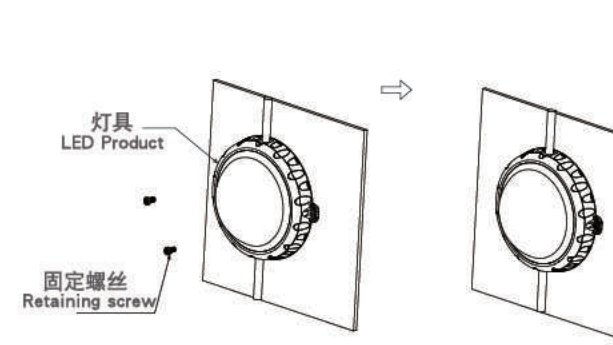
应用安装示意图

Application installation schematic diagram

安装方式 Installation way



安装方式二 Installation way



技术参数

technical parameter

光源品牌 light source:	Epistar/Cree/Osram	工作电压 Working voltage:	DC24V
灰度等级 Gray level:	256/65536	额定功率 Power:	5W/6.5W
发光角度 Beam angle:	> 120°	控制方式 Control mode:	DMX/常亮
灯具尺寸 Lamp size:	117.2*50*117.2mm	外壳颜色 Shell color:	灰色/黑色
灯珠类型 Led type:	3535RGB/2835White/R/G/B/Y	灯具寿命 Lamp life:	> 50000H
外壳材料 Housing material:	压铸铝	防护等级 Protection level:	IP67
工作温度 Working temperature:	-20℃至60℃	阻燃等级 Flame retardant grade:	94-V0
应用场景 Application:	建筑轮廓/媒体立面/景观照明	电气安全等级 Electrical safety level:	III级

产品选型

Product selection

Specification	light source	Color	Brightness	Voltage	Wattage	Control mode
SH-AD11-DMX-RGB	3535 RGB * 24 pcs	RGB	> 57600MCD	DC24V	5W	DMX
SH-AD11-DMX-RGBW	3535 RGB * 24 pcs + 2835 White * 12 pcs	RGB+White	> 86400MCD	DC24V	6.5W	DMX
SH-AD11-DMX-White	2835 White * 24 pcs	White	> 57600MCD	DC24V	5W	DMX
SH-AD11-Single_Color	2835 * 24 pcs	R/G/B/Y/White	> 57600MCD	DC24V	5W	常亮

LED点光源-JD系列

LED PIXEL LIGHT SOURCE -JD series



CONTENTS

内容

SH-JD22	P41-P42	SH-JD33	P49-P50	SH-JD42	P57-P58
SH-JD10	P43-P44	SH-JD12	P51-P52	SH-JD13	P59-P60
SH-JD11	P45-P46	SH-J18A	P53-P54	SH-JD65	P61-P62
SH-JD15	P47-P48	SH-J19A	P55-P56	SH-JD80/JD85	P63-P64

NEWS

应用范围：建筑轮廓、媒体立面、景观照明
Application: Media facade, Building lighting, Landscape lighting.

LED点光源-JD系列





产品特点 Features

- 自主知识产权, 专利外观设计, 工程项目专用
- 采用SMD3535RGB高亮全彩灯珠, 发光角度大
- 采用PU胶灌胶, 不易开裂, 产品防护等级高
- 线材及外壳选用抗寒、抗UV、阻燃材料, 适合长期户外使用
- Independent intellectual property rights, private model design, dedicated to lighting engineering projects
- Adopt SMD3535RGB high-bright full-color lamp beads with large illumination angle
- Adopt PU glue filling glue, which is not easy to crack and has high product protection grade
- The wire and shell are made of cold-resistant, UV-resistant and flame-retardant materials, suitable for long-term outdoor use

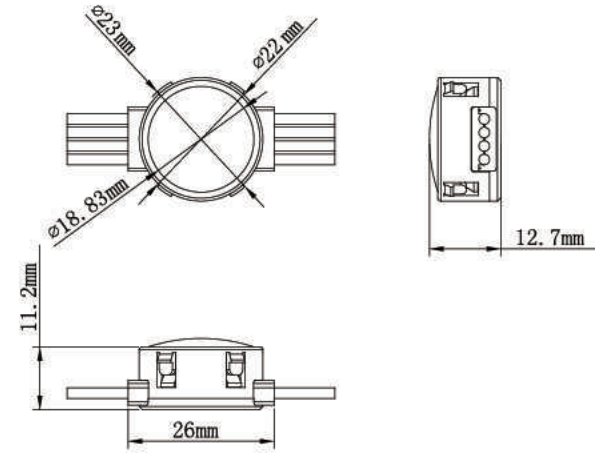
应用范围:

用于多栋楼宇立面媒体屏联动的大型城市景观
用于高层楼体、桥梁等大型建筑物的装饰照明
用于户外、场馆、星级酒店、公园等景观照明

Application:

Large urban landscape for linkage of multiple building facade media screen
Decorative lighting for large building such as high-rise building and bridge
For outdoor lighting, outdoor venue, high-level hotel, park, etc

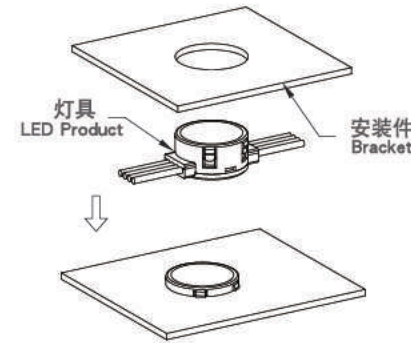
尺寸图
Size chart



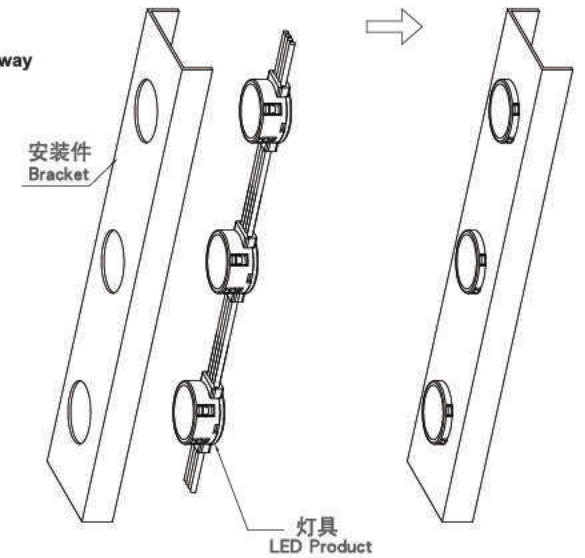
应用安装示意图

Application installation schematic diagram

安装方式一
Installation way



安装方式二
Installation way



技术参数

technical parameter

光源品牌 light source:	Epistar/Cree/Osram	工作电压 Working voltage:	DC5V/DC12V
灰度等级 Gray level:	256	额定功率 Power:	0.3W/0.7W
发光角度 Beam angle:	> 120°	控制方式 Control mode:	DMX/TTL/常亮
灯具尺寸 Lamp size:	φ 22*12.7*26mm	外壳颜色 Shell color:	灰色/黑色
灯珠类型 Led type:	3535RGB/2835White/R/G/B/Y	灯具寿命 Lamp life:	> 50000H
外壳材料 Housing material:	工程塑料	防护等级 Protection level:	IP67
工作温度 Working temperature:	-20℃至60℃	阻燃等级 Flame retardant grade:	94-V0
应用场景 Application:	建筑轮廓/媒体立面/景观照明	电气安全等级 Electrical safety level:	III级

产品选型

Product selection

规格型号 Specification	光源 light source	颜色 Color	亮度 Brightness	工作电压 Voltage	功率 Wattage	控制方式 Control mode
SH-JD22-DMX-RGB	3535 RGB * 1 pcs	RGB	> 2400MCD	DC5V	0.3W	DMX
SH-JD22-TTL-RGB	3535 RGB * 1 pcs	RGB	> 2400MCD	DC5V	0.3W	TTL
SH-JD22-Single_Color	2835 * 1 pcs	R/G/B/Y/White	> 2400MCD	DC5V	0.3W	常亮
SH-JD22-DMX-RGB	2727RGB*2	RGB	> 4800MCD	DC12V	0.7W	DMX
SH-JD22-TTL-RGB	2727RGB*2	RGB	> 4800MCD	DC12V	0.7W	TTL



产品特点 Features

- 自主知识产权，专利外观设计，工程项目专用
- 采用SMD3535RGB高亮全彩灯珠，发光角度大
- 采用PU胶灌胶，不易开裂，产品防护等级高
- 线材及外壳选用抗寒、抗UV、阻燃材料，适合长期户外使用
- Independent intellectual property rights, private model design, dedicated to lighting engineering projects
- Adopt SMD3535RGB high-bright full-color lamp beads with large illumination angle
- Adopt PU glue filling glue, which is not easy to crack and has high product protection grade
- The wire and shell are made of cold-resistant, UV-resistant and flame-retardant materials, suitable for long-term outdoor use

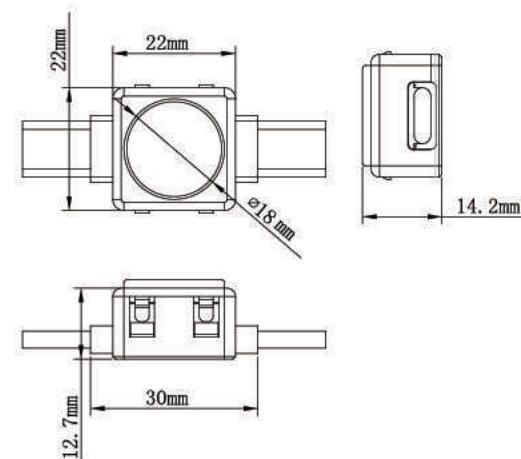
应用范围:

用于多栋楼宇立面媒体屏联动的大型城市景观
用于高层楼体、桥梁等大型建筑物的装饰照明
用于户外、场馆、星级酒店、公园等景观照明

Application:

Large urban landscape for linkage of multiple building facade media screen
Decorative lighting for large building such as high-rise building and bridge
For outdoor lighting, outdoor venue, high-level hotel, park, etc

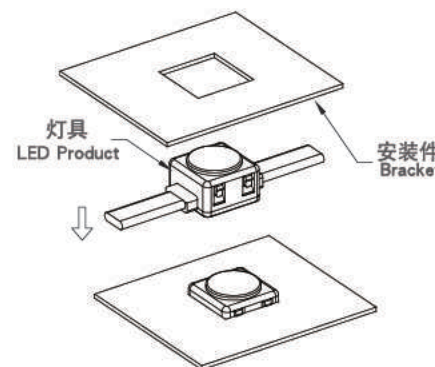
尺寸图 Size chart



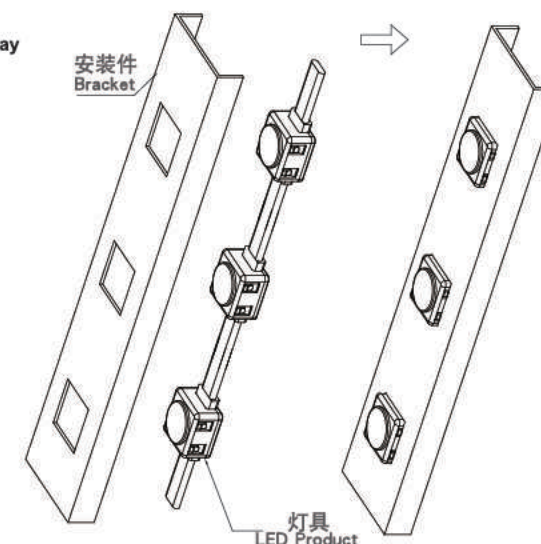
应用安装示意图

Application installation schematic diagram

安装方式一 Installation way



安装方式二 Installation way



技术参数

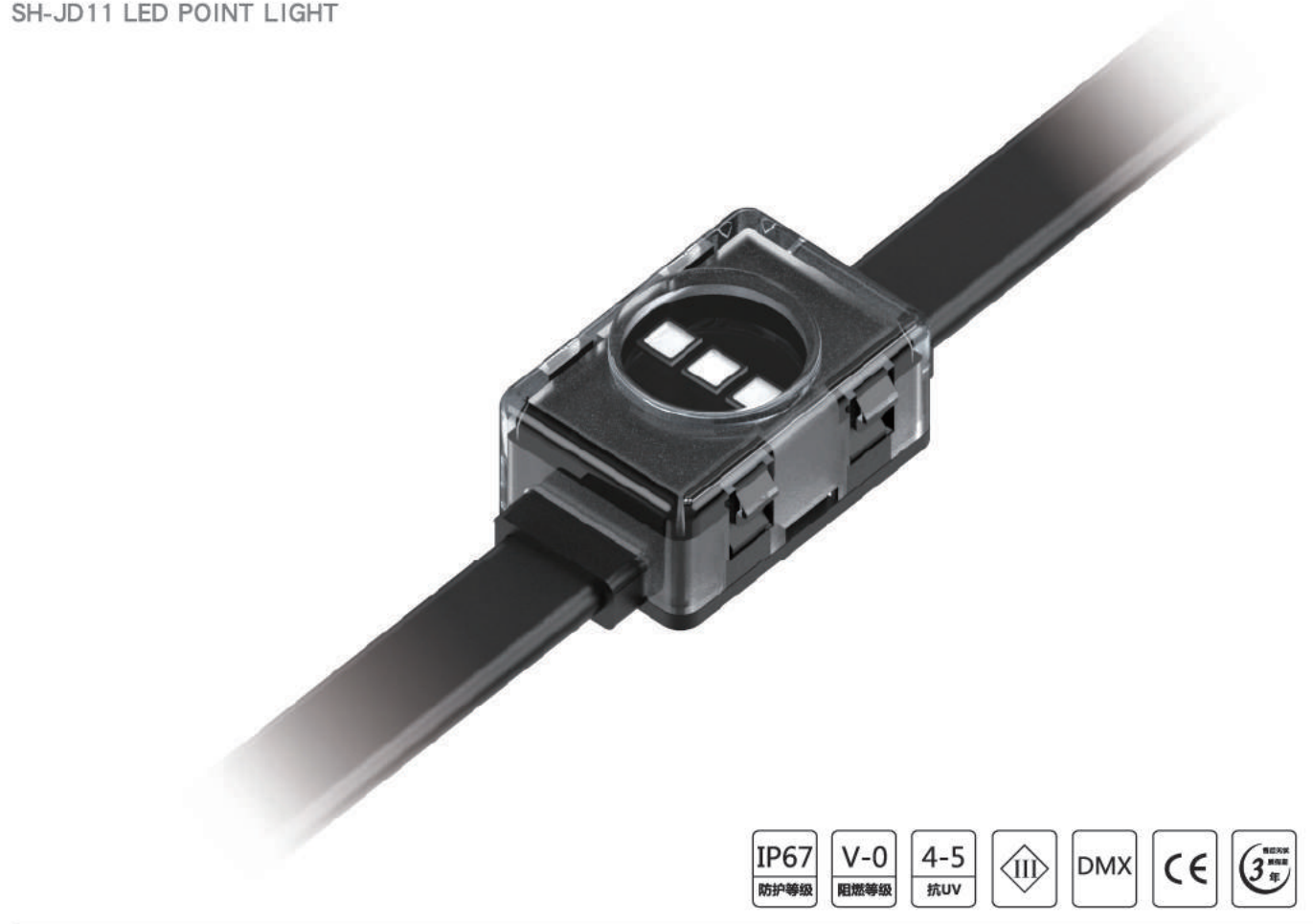
technical parameter

光源品牌 light source:	Epistar/Cree/Osram	工作电压 Working voltage:	DC12V / DC5V
灰度等级 Gray level:	256	额定功率 Power:	0.7W / 0.3W
发光角度 Beam angle:	> 120°	控制方式 Control mode:	DMX/TTL/常亮
灯具尺寸 Lamp size:	22*22*14.2mm	外壳颜色 Shell color:	灰色/黑色
灯珠类型 Led type:	3535RGB/2835White/R/G/B/Y	灯具寿命 Lamp life:	> 50000H
外壳材料 Housing material:	工程塑料	防护等级 Protection level:	IP67
工作温度 Working temperature:	-20℃至60℃	阻燃等级 Flame retardant grade:	94-V0
应用场景 Application:	建筑轮廓/媒体立面/景观照明	电气安全等级 Electrical safety level:	III级

产品选型

Product selection

规格型号 Specification	光源 light source	颜色 Color	亮度 Brightness	工作电压 Voltage	功率Wattage	控制方式 Control mode
SH-JD10-DMX-RGB	3535 RGB * 2 pcs	RGB	> 4800MCD	DC12V	0.7W	DMX
SH-JD10-DMX-White	2835 White * 1 pcs	White	> 4800MCD	DC12V	0.7W	DMX
SH-JD10-TTL-RGB	3535 RGB * 2 pcs	RGB	> 4800MCD	DC12V	0.7W	TTL
SH-JD10-TTL-RGB	3535 RGB * 1 pcs	RGB	> 2400MCD	DC5V	0.3W	TTL
SH-JD10-Single_Color	2835 * 1 pcs	R/G/B/Y/White	> 4800MCD	DC5V/12V	0.3W/0.7W	常亮



产品特点 Features

- 自主知识产权，专利外观设计，工程项目专用
- 对于超窄的玻璃幕墙可以完美贴合
- 采用PU胶灌胶，不易开裂，产品防护等级高
- 线材及外壳选用抗寒、抗UV、阻燃材料，适合长期户外使用
- Independent intellectual property rights, private model design, dedicated to lighting engineering projects
- Perfect fit for ultra-narrow glass curtain walls
- Adopt PU glue filling glue, which is not easy to crack and has high product protection grade
- The wire and shell are made of cold-resistant, UV-resistant and flame-retardant materials, suitable for long-term outdoor use

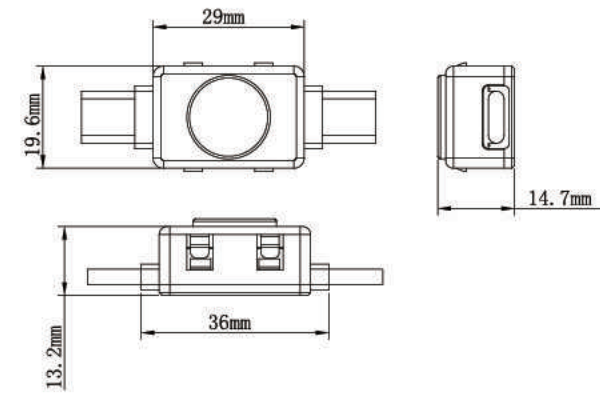
应用范围:

用于多栋楼宇立面媒体屏联动的大型城市景观
用于高层楼体、桥梁等大型建筑物的装饰照明
用于户外、场馆、星级酒店、公园等景观照明

Application:

Large urban landscape for linkage of multiple building facade media screen
Decorative lighting for large building such as high-rise building and bridge
For outdoor lighting, outdoor venue, high-level hotel, park, etc

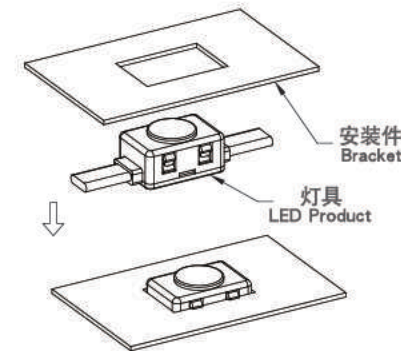
尺寸图 Size chart



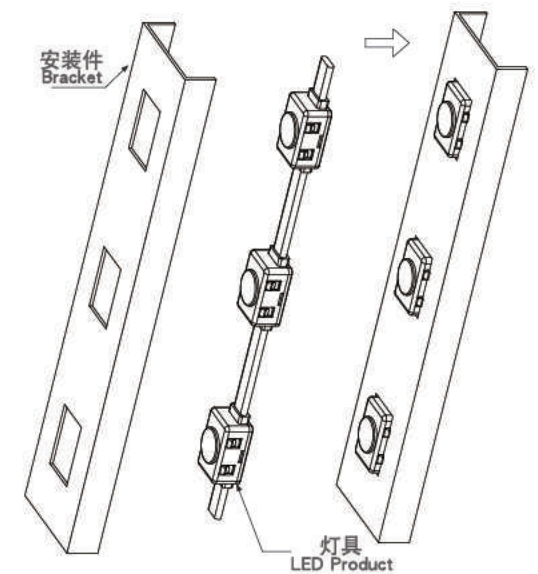
应用安装示意图

Application installation schematic diagram

安装方式一 Installation way



安装方式二 Installation way



技术参数

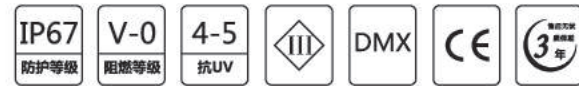
technical parameter

光源品牌 light source:	Epistar/Cree/Osram	工作电压 Working voltage:	DC5V/DC12V
灰度等级 Gray level:	256 / 65536	额定功率 Power:	0.3W/0.7W/0.9W
发光角度 Beam angle:	> 120°	控制方式 Control mode:	DMX/TTL/常亮
灯具尺寸 Lamp size:	29*19.6*14.7mm	外壳颜色 Shell color:	灰色/黑色
灯珠类型 Led type:	3535RGB/2835White/R/G/B/Y	灯具寿命 Lamp life:	> 50000H
外壳材料 Housing material:	工程塑料	防护等级 Protection level:	IP67
工作温度 Working temperature:	-20℃至60℃	阻燃等级 Flame retardant grade:	94-V0
应用场景 Application:	建筑轮廓/媒体立面/景观照明	电气安全等级 Electrical safety level:	III级

产品选型

Product selection

规格型号 Specification	光源 light source	颜色 Color	亮度 Brightness	工作电压 Voltage	功率Wattage	控制方式 Control mode
SH-JD11-DMX-RGB	3535 RGB * 3 pcs	RGB	> 7200MCD	DC12V	0.7W	DMX
SH-JD11-DMX-RGBW	3535 RGB * 2 pcs * 2835 White * 1 pcs	RGB+White	> 7200MCD	DC12V	0.9W	DMX
SH-JD11-DMX-White	2835 White * 1 pcs	White	> 4800MCD	DC5V/12V	0.3W/0.7W	DMX
SH-JD11-TTL-RGB	3535 RGB * 3 pcs	RGB	> 7200MCD	DC12V	0.7W	TTL
SH-JD11-Single_Color	2835 * 1 pcs	R/G/B/Y/White	> 4800MCD	DC5V/12V	0.3W/0.7W	常亮



产品特点 Features

- 自主知识产权，专利外观设计，工程项目专用
- 对于超窄的玻璃幕墙可以完美贴合
- 采用PU胶灌胶，不易开裂，产品防护等级高
- 线材及外壳选用抗寒、抗UV、阻燃材料，适合长期户外使用
- Independent intellectual property rights, private model design, dedicated to lighting engineering projects
- Perfect fit for ultra-narrow glass curtain walls
- Adopt PU glue filling glue, which is not easy to crack and has high product protection grade
- The wire and shell are made of cold-resistant, UV-resistant and flame-retardant materials, suitable for long-term outdoor use

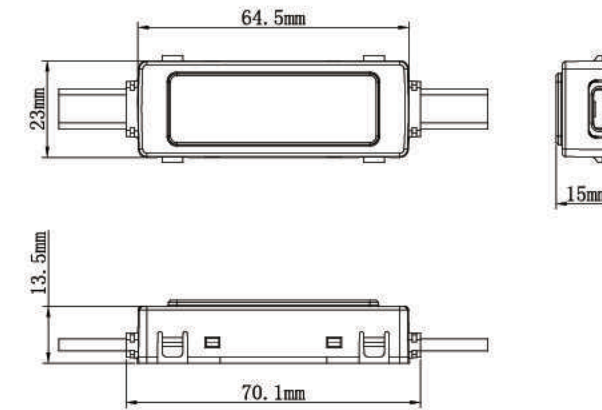
应用范围:

用于多栋楼宇立面媒体屏联动的大型城市景观
用于高层楼体、桥梁等大型建筑物的装饰照明
用于户外、场馆、星级酒店、公园等景观照明

Application:

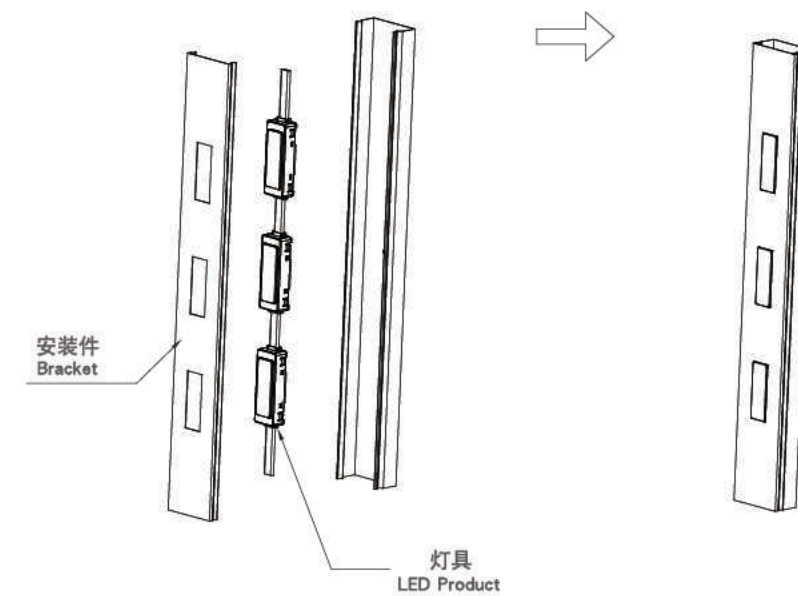
Large urban landscape for linkage of multiple building facade media screen
Decorative lighting for large building such as high-rise building and bridge
For outdoor lighting, outdoor venue, high-level hotel, park, etc

尺寸图 Size chart



应用安装示意图

Application installation schematic diagram



技术参数

technical parameter

光源品牌 light source:	Epistar/Cree/Osram	工作电压 Working voltage:	DC15V/DC24V
灰度等级 Gray level:	256/65536	额定功率 Power:	0.8W/0.9W/1.2W/1.4W
发光角度 Beam angle:	> 120°	控制方式 Control mode:	DMX/TTL/常亮
灯具尺寸 Lamp size:	64.5*23*15mm	外壳颜色 Shell color:	灰色/黑色
灯珠类型 Led type:	3535RGB/2835White/R/G/B/Y	灯具寿命 Lamp life:	> 50000H
外壳材料 Housing material:	工程塑料	防护等级 Protection level:	IP67
工作温度 Working temperature:	-20℃至60℃	阻燃等级 Flame retardant grade:	94-V0
应用场景 Application:	建筑轮廓/媒体立面/景观照明	电气安全等级 Electrical safety level:	III级

产品选型

Product selection

规格型号 Specification	光源 light source	颜色 Color	亮度 Brightness	工作电压 Voltage	功率 Wattage	控制方式 Control mode
SH-JD15-DMX-RGB	3535RGB*4	RGB	> 9600MCD	DC15V/24V	0.9W/1.2W	DMX
SH-JD15-DMX-RGBW	3535RGB*4+2835W*2	RGBW	> 12800MCD	DC15V/24V	1.2W/1.5W	DMX
SH-JD15-TTL-RGB	3535RGB*4	RGB	> 9600MCD	DC15V/24V	0.9W/1.2W	TTL
SH-JD15-SingleColor	2835W*4	2200-6500K	> 9600MCD	DC15V/24V	0.8W	常亮
SH-JD15-DMX-RGB	3535RGB*6	RGB	> 14400MCD	DC24V	1.4W	DMX



产品特点 Features

- 自主知识产权，专利外观设计，工程项目专用
- 采用SMD3535RGB高亮全彩灯珠，发光角度大
- 采用PU胶灌胶，不易开裂，产品防护等级高
- 线材及外壳选用抗寒、抗UV、阻燃材料，适合长期户外使用
- Independent intellectual property rights, private model design, dedicated to lighting engineering projects
- Adopt SMD3535RGB high-bright full-color lamp beads with large illumination angle
- Adopt PU glue filling glue, which is not easy to crack and has high product protection grade
- The wire and shell are made of cold-resistant, UV-resistant and flame-retardant materials, suitable for long-term outdoor use

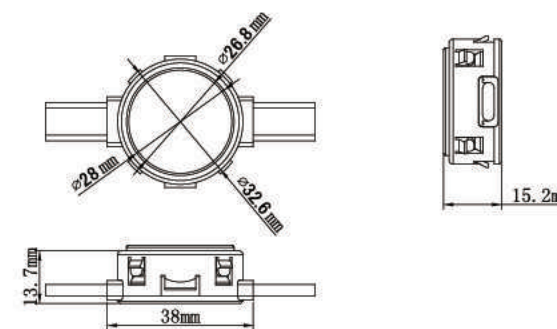
应用范围:

用于多栋楼宇立面媒体屏联动的大型城市景观
用于高层楼体、桥梁等大型建筑物的装饰照明
用于户外、场馆、星级酒店、公园等景观照明

Application:

Large urban landscape for linkage of multiple building facade media screen
Decorative lighting for large building such as high-rise building and bridge
For outdoor lighting, outdoor venue, high-level hotel, park, etc

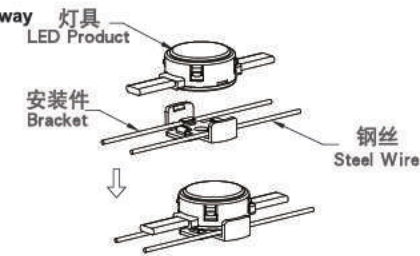
尺寸图 Size chart



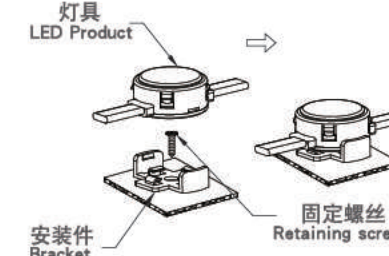
应用安装示意图

Application installation schematic diagram

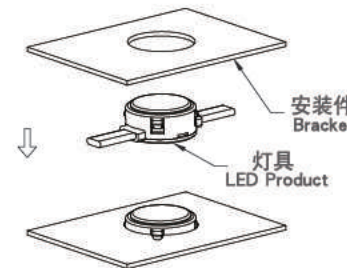
安装方式一 Installation way



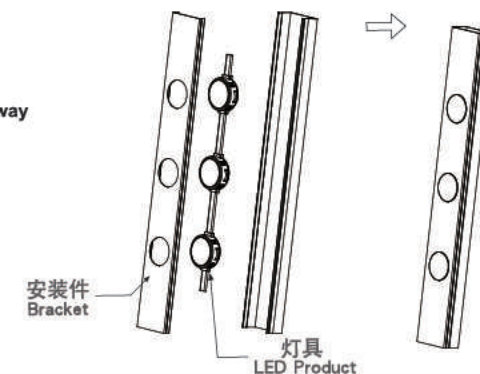
安装方式二 Installation way



安装方式三 Installation way



安装方式四 Installation way



技术参数

technical parameter

光源品牌 light source:	Epistar/Cree/Osram	工作电压 Working voltage:	DC12V/DC24V
灰度等级 Gray level:	256 / 65536	额定功率 Power:	0.7W/0.9W/1.2W/1.4W
发光角度 Beam angle:	> 120°	控制方式 Control mode:	DMX/TTL/常亮
灯具尺寸 Lamp size:	φ 32.6*15.2*38mm	外壳颜色 Shell color:	灰色/黑色
灯珠类型 Led type:	3535RGB/2835White/R/G/B/Y	灯具寿命 Lamp life:	> 50000H
外壳材料 Housing material:	工程塑料	防护等级 Protection level:	IP67
工作温度 Working temperature:	-20℃至60℃	阻燃等级 Flame retardant grade:	94-V0
应用场景 Application:	建筑轮廓/媒体立面/景观照明	电气安全等级 Electrical safety level:	III级

产品选型

Product selection

规格型号 Specification	光源 light source	颜色 Color	亮度 Brightness	工作电压 Voltage	功率Wattage	控制方式 Control mode
SH-JD33-DMX-RGB	3535 RGB * 3 pcs	RGB	> 7200MCD	DC12V/15V	0.7W	DMX
SH-JD33-DMX-RGB	3535 RGB * 4 pcs	RGB	> 9600MCD	DC15V/24V	0.9W/1.2W	DMX
SH-JD33-DMX-RGB	3535 RGB * 6 pcs	RGB	> 14400MCD	DC24V	1.4W	DMX
SH-JD33-RGB+White	3535 RGB * 3 pcs + 2835 White * 1 pcs	RGB+White	> 9600MCD	DC12V/15V	0.9W/1.2W	DMX
SH-JD33-DMX-White	2835 White * 3 pcs	White	> 7200MCD	DC12V/15V	0.7W/0.9W	DMX
SH-JD33-DMX-White	2835 White * 3 pcs	White	> 14400MCD	DC24V	1.4W	DMX
SH-JD33-TTL-RGB	3535 RGB * 3 pcs	RGB	> 7200MCD	DC12V/15V	0.7W/0.9W	TTL
SH-JD33-Single_Color	2835 * 3 pcs	R/G/B/Y/White	> 7200MCD	DC12V/15V	0.6W	常亮



产品特点 Features

- 自主知识产权，专利外观设计，工程项目专用
- 采用SMD3535RGB高亮全彩灯珠，发光角度大
- 采用PU胶灌胶，不易开裂，产品防护等级高
- 线材及外壳选用抗寒、抗UV、阻燃材料，适合长期户外使用
- Independent intellectual property rights, private model design, dedicated to lighting engineering projects
- Adopt SMD3535RGB high-bright full-color lamp beads with large illumination angle
- Adopt PU glue filling glue, which is not easy to crack and has high product protection grade
- The wire and shell are made of cold-resistant, UV-resistant and flame-retardant materials, suitable for long-term outdoor use

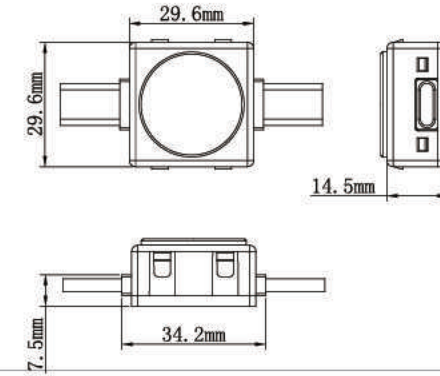
应用范围:

用于多栋楼宇立面媒体屏联动的大型城市景观
用于高层楼体、桥梁等大型建筑物的装饰照明
用于户外、场馆、星级酒店、公园等景观照明

Application:

Large urban landscape for linkage of multiple building facade media screen
Decorative lighting for large building such as high-rise building and bridge
For outdoor lighting, outdoor venue, high-level hotel, park, etc

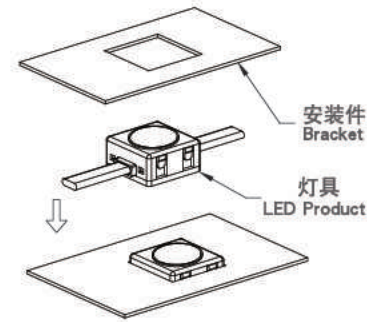
尺寸图 Size chart



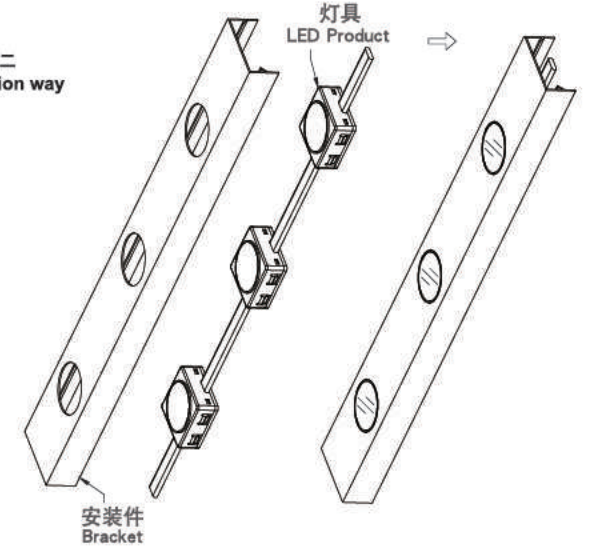
应用安装示意图 Application installation schematic diagram

Application installation schematic diagram

安装方式一 Installation way



安装方式二 Installation way



技术参数 technical parameter

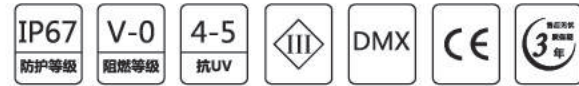
technical parameter

光源品牌 light source:	Epistar/Cree/Osram	工作电压 Working voltage:	DC12V/DC15V
灰度等级 Gray level:	256 / 65536	额定功率 Power:	0.7W/0.9W
发光角度 Beam angle:	> 120°	控制方式 Control mode:	DMX/TTL/常亮
灯具尺寸 Lamp size:	29.6*29.6*14.5mm	外壳颜色 Shell color:	灰色/黑色
灯珠类型 Led type:	3535RGB/2835White/R/G/B/Y	灯具寿命 Lamp life:	> 50000H
外壳材料 Housing material:	工程塑料	防护等级 Protection level:	IP67
工作温度 Working temperature:	-20℃至60℃	阻燃等级 Flame retardant grade:	94-V0
应用场景 Application:	建筑轮廓/媒体立面/景观照明	电气安全等级 Electrical safety level:	III级

产品选型 Product selection

Product selection

规格型号 Specification	光源 light source	颜色 Color	亮度 Brightness	工作电压 Voltage	功率 Wattage	控制方式 Control mode
SH-JD12-DMX-RGB	3535 RGB * 3 pcs	RGB	> 7200MCD	DC12V/15V	0.7W/0.9W	DMX
SH-JD12-DMX-White	2835 White * 1 pcs	White	> 2400MCD	DC12V	0.7W	DMX
SH-JD12-TTL-RGB	3535 RGB * 3 pcs	RGB	> 7200MCD	DC12V/15V	0.7W/0.9W	TTL
SH-JD12-Single_Color	2835 * 1 pcs	R/G/B/Y/White	> 2400MCD	DC12V	0.6W	常亮



产品特点 Features

- 自主知识产权, 专利外观设计, 工程项目专用
- 采用SMD3535RGB高亮全彩灯珠, 发光角度大
- 采用PU胶灌胶, 不易开裂, 产品防护等级高
- 线材及外壳选用抗寒、抗UV、阻燃材料, 适合长期户外使用
- Independent intellectual property rights, private model design, dedicated to lighting engineering projects
- Adopt SMD3535RGB high-bright full-color lamp beads with large illumination angle
- Adopt PU glue filling glue, which is not easy to crack and has high product protection grade
- The wire and shell are made of cold-resistant, UV-resistant and flame-retardant materials, suitable for long-term outdoor use

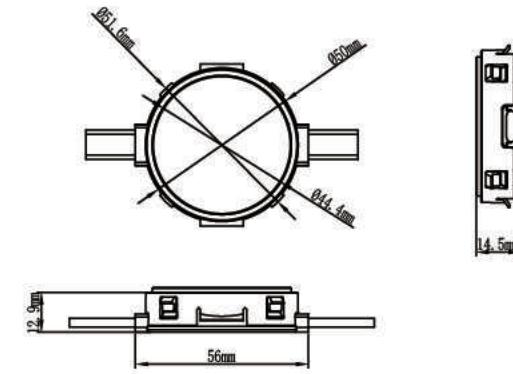
应用范围:

用于多栋楼宇立面媒体屏联动的大型城市景观
用于高层楼体、桥梁等大型建筑物的装饰照明
用于户外、场馆、星级酒店、公园等景观照明

Application:

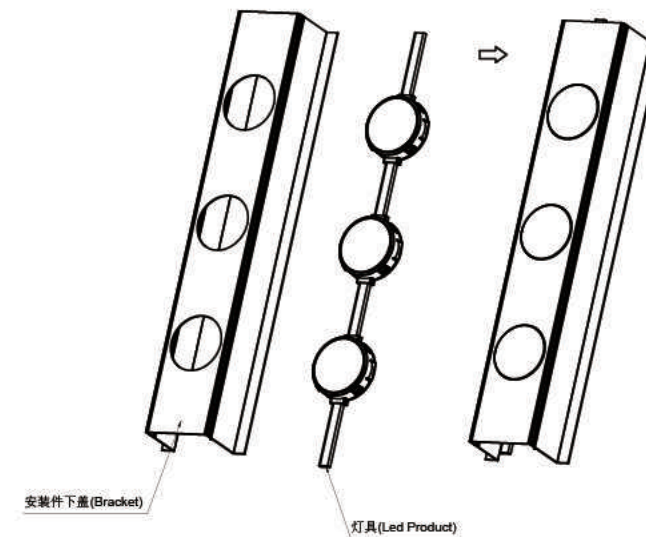
Large urban landscape for linkage of multiple building facade media screen
Decorative lighting for large building such as high-rise building and bridge
For outdoor lighting, outdoor venue, high-level hotel, park, etc

尺寸图 Size chart



应用安装示意图

Application installation schematic diagram



技术参数

technical parameter

光源品牌 light source:	Epistar/Cree/Osram	工作电压 Working voltage:	DC24V/48V
灰度等级 Gray level:	256 / 65536	额定功率 Power:	1.4W/2W/2.6W
发光角度 Beam angle:	> 120°	控制方式 Control mode:	DMX/TTL/ON-OFF
灯具尺寸 Lamp size:	∅50*H14.5mm	外壳颜色 Shell color:	DMX/TTL/常亮
灯珠类型 Led type:	3535RGB/2835White/R/G/B/Y	灯具寿命 Lamp life:	> 50000H
外壳材料 Housing material:	PC	防护等级 Protection level:	IP67
工作温度 Working temperature:	-20℃至60℃	阻燃等级 Flame retardant grade:	94-V0
应用场景 Application:	建筑轮廓/媒体立面/景观照明	电气安全等级 Electrical safety level:	III级

产品选型

Product selection

规格型号 Specification	光源 light source	颜色 Color	亮度 Brightness	工作电压 Voltage	功率 Wattage	控制方式 Control mode
SH-J18A-DMX-RGB	3535 RGB* 6PCS	RGB	≥14400MCD	DC24V	1.4W	DMX
SH-J18A-DMX-RGB	3535 RGB* 8PCS	RGB	≥19200MCD	DC48V	2W	DMX
SH-J18A-DMX-RGBW	3535 RGB* 6PCS+2835 White*2pcs	RGB+W	≥28800MCD	DC24V	1.8W	DMX
SH-J18A-DMX-White	2835 White*6pcs	2200K-6500K	≥43200MCD	DC24V	1.4W	DMX
SH-J18A-SingleColor	2835 *6pcs	R/G/B/Y/White	≥43200MCD	DC24V	1.4W	ON-OFF



产品特点 Features

- 自主知识产权，专利外观设计，工程项目专用
- 采用SMD3535RGB高亮全彩灯珠，发光角度大
- 采用PU胶灌胶，不易开裂，产品防护等级高
- 线材及外壳选用抗寒、抗UV、阻燃材料，适合长期户外使用
- 超窄设计，灯体尺寸仅12mm
- Independent intellectual property rights, private model design, dedicated to lighting engineering projects
- Adopt SMD3535RGB high-bright full-color lamp beads with large illumination angle
- Adopt PU glue filling glue, which is not easy to crack and has high product protection grade
- The wire and shell are made of cold-resistant, UV-resistant and flame-retardant materials, suitable for long-term outdoor use
- Ultra narrow design, lamp body size is only 12mm

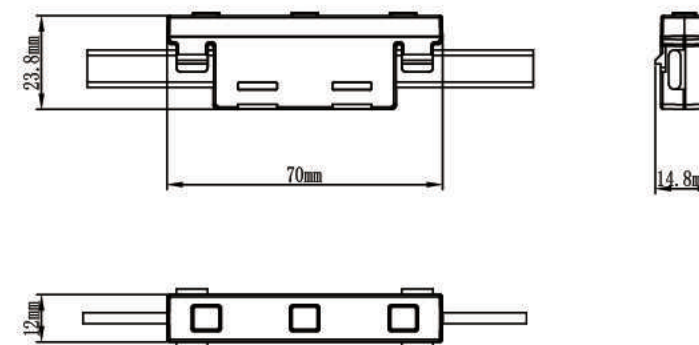
应用范围:

用于多栋楼宇立面媒体屏联动的大型城市景观
用于高层楼体、桥梁等大型建筑物的装饰照明
用于户外、场馆、星级酒店、公园等景观照明

Application:

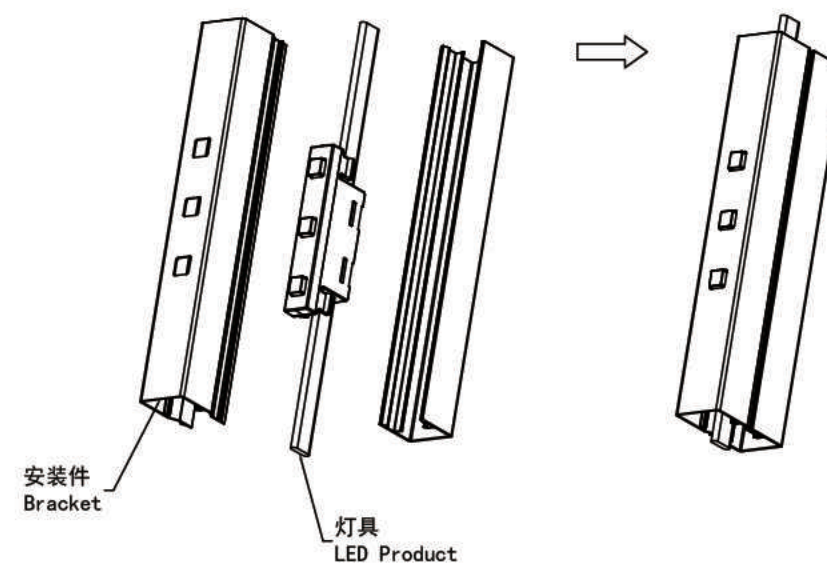
Large urban landscape for linkage of multiple building facade media screen
Decorative lighting for large building such as high-rise building and bridge
For outdoor lighting, outdoor venue, high-level hotel, park, etc

尺寸图 Size chart



应用安装示意图

Application installation schematic diagram



技术参数

technical parameter

光源品牌 light source:	Epistar/Cree/Osram	工作电压 Working voltage:	DC24V/48V
灰度等级 Gray level:	256 / 65536	额定功率 Power:	0.7W
发光角度 Beam angle:	> 120°	控制方式 Control mode:	DMX/TTL/常亮
灯具尺寸 Lamp size:	70*12*23.8mm	外壳颜色 Shell color:	灰色/黑色
灯珠类型 Led type:	3535RGB/2835White/R/G/B/Y	灯具寿命 Lamp life:	> 50000H
外壳材料 Housing material:	PC	防护等级 Protection level:	IP67
工作温度 Working temperature:	-20℃至60℃	阻燃等级 Flame retardant grade:	94-V0
应用场景 Application:	建筑轮廓/媒体立面/景观照明	电气安全等级 Electrical safety level:	III级

产品选型

Product selection

规格型号 Specification	光源 light source	颜色 Color	亮度 Brightness	工作电压 Voltage	功率Wattage	控制方式 Control mode
SH-J19A-DMX-RGB	3535 RGB* 3PCS	RGB	≥7200MCD	DC12V-48V	0.7W	DMX
SH-J19A-DMX-White	2835 White*3pcs	2200K-6500K	≥21600MCD	DC12V-48V	0.7W	DMX
SH-J19A-SingleColor	2835 *3pcs	R/G/B/Y/White	≥21600MCD	DC12V-48V	0.7W	ON-OFF



产品特点 Features

- 自主知识产权，专利外观设计，工程项目专用
- 采用SMD3535RGB高亮全彩灯珠，发光角度大
- 采用PU胶灌胶，不易开裂，产品防护等级高
- 线材及外壳选用抗寒、抗UV、阻燃材料，适合长期户外使用
- Independent intellectual property rights, private model design, dedicated to lighting engineering projects
- Adopt SMD3535RGB high-bright full-color lamp beads with large illumination angle
- Adopt PU glue filling glue, which is not easy to crack and has high product protection grade
- The wire and shell are made of cold-resistant, UV-resistant and flame-retardant materials, suitable for long-term outdoor use

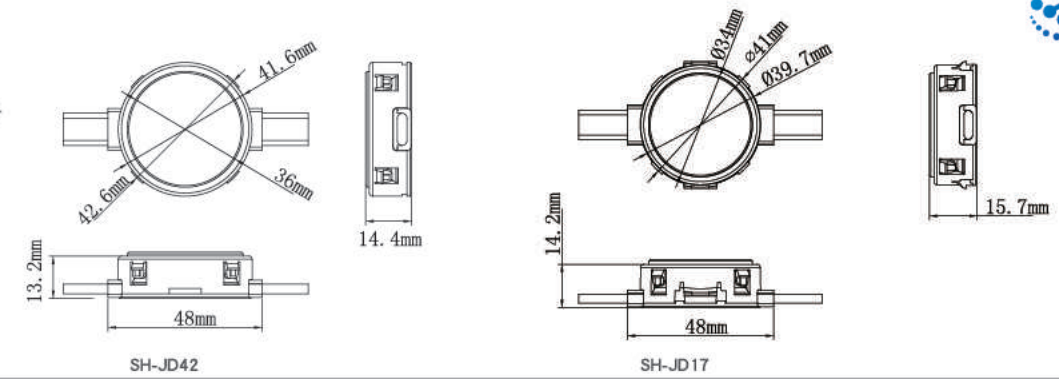
应用范围:

用于多栋楼宇立面媒体屏联动的大型城市景观
用于高层楼体、桥梁等大型建筑物的装饰照明
用于户外、场馆、星级酒店、公园等景观照明

Application:

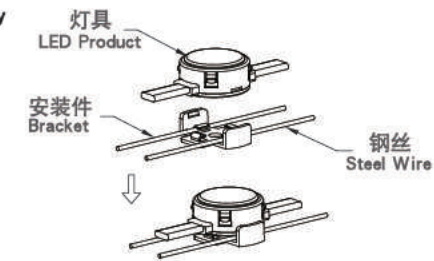
Large urban landscape for linkage of multiple building facade media screen
Decorative lighting for large building such as high-rise building and bridge
For outdoor lighting, outdoor venue, high-level hotel, park, etc

尺寸图 Size chart

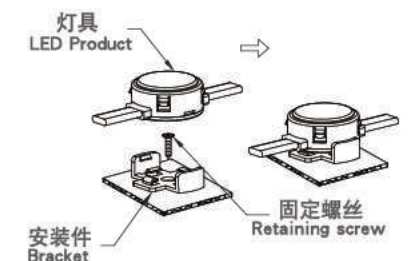


应用安装示意图 Application installation schematic diagram

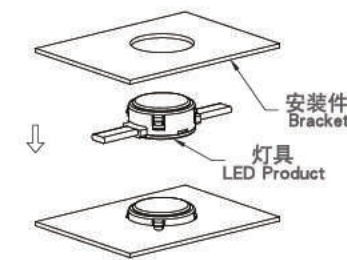
安装方式一 Installation way



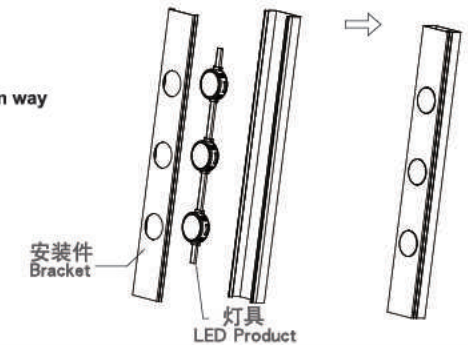
安装方式二 Installation way



安装方式三 Installation way



安装方式四 Installation way



技术参数 technical parameter

光源品牌 light source:	Epistar/Cree/Osram	工作电压 Working voltage:	DC12V/DC15V/DC24V
灰度等级 Gray level:	256 / 65536	额定功率 Power:	0.9W/1.3W/1.4W/1.8W
发光角度 Beam angle:	> 120°	控制方式 Control mode:	DMX/TTL/常亮
灯具尺寸 Lamp size:	φ 41.6*48*14.4mm	外壳颜色 Shell color:	灰色/黑色
灯珠类型 Led type:	3535RGB/2835White/R/G/B/Y	灯具寿命 Lamp life:	> 50000H
外壳材料 Housing material:	工程塑料	防护等级 Protection level:	IP67
工作温度 Working temperature:	-20℃至60℃	阻燃等级 Flame retardant grade:	94-V0
应用场景 Application:	建筑轮廓/媒体立面/景观照明	电气安全等级 Electrical safety level:	III级

产品选型 Product selection

规格型号 Specification	光源 light source	颜色 Color	亮度 Brightness	工作电压 Voltage	功率Wattage	控制方式 Control mode
SH-JD42-DMX-RGB	3535 RGB * 6 pcs	RGB	> 14400MCD	DC24V	1.4W	DMX
SH-JD42-DMX-RGB	3535 RGB * 4 pcs	RGB	> 9600MCD	DC15V/24V	0.9W/1.4W	DMX
SH-JD42-RGB+White	3535 RGB * 6 pcs * 2835 White *2 pcs	RGB+White	> 21600MCD	DC24V	1.8W	DMX
SH-JD42-RGB+White	3535 RGB * 3 pcs * 2835 White *3 pcs	RGB+White	> 14400MCD	DC12V/15V	0.9W/1.2W	DMX
SH-JD42-DMX-White	2835 White * 6 pcs	White	> 14400MCD	DC24V	1.4W	DMX
SH-JD42-DMX-White	2835 White * 4 pcs	White	> 9600MCD	DC15V/24V	0.9W/1.4W	DMX
SH-JD42-TTL-RGB	3535 RGB * 6 pcs	RGB	> 14400MCD	DC24V	1.4W	TTL
SH-JD42-Single_Color	2835 * 6 pcs	R/G/B/Y/White	> 14400MCD	DC24V	1.3W	常亮



产品特点 Features

- 自主知识产权，专利外观设计，工程项目专用
- 采用SMD3535RGB高亮全彩灯珠，发光角度大
- 采用PU胶灌胶，不易开裂，产品防护等级高
- 线材及外壳选用抗寒、抗UV、阻燃材料，适合长期户外使用
- Independent intellectual property rights, private model design, dedicated to lighting engineering projects
- Adopt SMD3535RGB high-bright full-color lamp beads with large illumination angle
- Adopt PU glue filling glue, which is not easy to crack and has high product protection grade
- The wire and shell are made of cold-resistant, UV-resistant and flame-retardant materials, suitable for long-term outdoor use

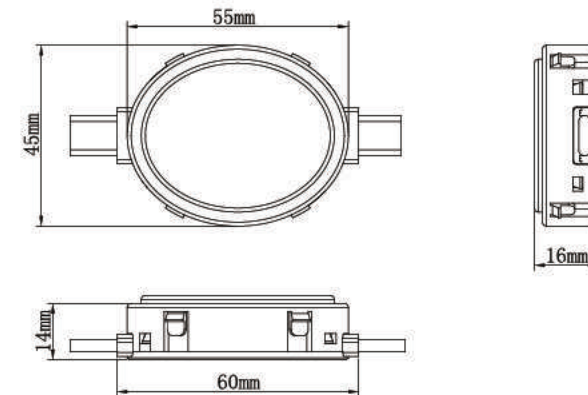
应用范围:

用于多栋楼宇立面媒体屏联动的大型城市景观
用于高层楼体、桥梁等大型建筑物的装饰照明
用于户外、场馆、星级酒店、公园等景观照明

Application:

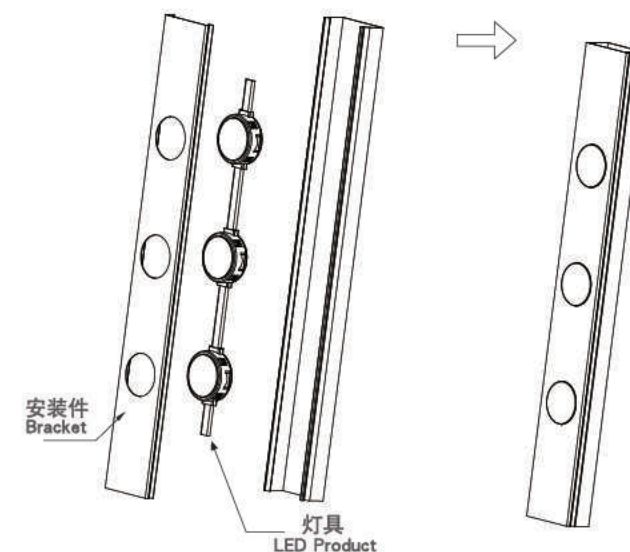
Large urban landscape for linkage of multiple building facade media screen
Decorative lighting for large building such as high-rise building and bridge
For outdoor lighting, outdoor venue, high-level hotel, park, etc

尺寸图 Size chart



应用安装示意图

Application installation schematic diagram



技术参数

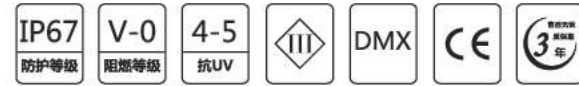
technical parameter

光源品牌 light source:	Epistar/Cree/Osram	工作电压 Working voltage:	DC24V
灰度等级 Gray level:	256 / 65536	额定功率 Power:	1.4W/2.4W/3W
发光角度 Beam angle:	> 120°	控制方式 Control mode:	DMX/TTL/常亮
灯具尺寸 Lamp size:	55*45.3*16mm	外壳颜色 Shell color:	灰色/黑色
灯珠类型 Led type:	3535RGB/2835White/R/G/B/Y	灯具寿命 Lamp life:	> 50000H
外壳材料 Housing material:	工程塑料	防护等级 Protection level:	IP67
工作温度 Working temperature:	-20℃至60℃	阻燃等级 Flame retardant grade:	94-V0
应用场景 Application:	建筑轮廓/媒体立面/景观照明	电气安全等级 Electrical safety level:	III级

产品选型

Product selection

规格型号 Specification	光源 light source	颜色 Color	亮度 Brightness	工作电压 Voltage	功率 Wattage	控制方式 Control mode
SH-JD13-DMX-RGB	3535 RGB * 6 pcs	RGB	> 14400MCD	DC24V	1.4W	DMX
SH-JD13-DMX-RGB	3535 RGB * 10 pcs	RGB	> 24000MCD	DC24V	2.4W	DMX
SH-JD13-RGB+White	3535 RGB * 8 pcs * 2835 White * 4 pcs	RGB+White	> 28800MCD	DC24V	3W	DMX
SH-JD13-DMX-White	2835 White * 10 pcs	White	> 24000MCD	DC24V	2.4W	DMX
SH-JD13-TTL-RGB	3535 RGB * 10 pcs	RGB	> 24000MCD	DC24V	2.4W	TTL
SH-JD13-Single_Color	2835 * 10 pcs	R/G/B/Y/White	> 24000MCD	DC24V	2.4W	常亮



产品特点 Features

- 自主知识产权，专利外观设计，工程项目专用
- 采用SMD3535RGB高亮全彩灯珠，发光角度大
- 采用PU胶灌胶，不易开裂，产品防护等级高
- 线材及外壳选用抗寒、抗UV、阻燃材料，适合长期户外使用
- Independent intellectual property rights, private model design, dedicated to lighting engineering projects
- Adopt SMD3535RGB high-bright full-color lamp beads with large illumination angle
- Adopt PU glue filling glue, which is not easy to crack and has high product protection grade
- The wire and shell are made of cold-resistant, UV-resistant and flame-retardant materials, suitable for long-term outdoor use

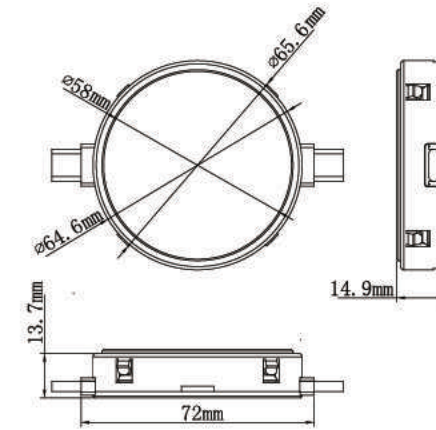
应用范围:

用于多栋楼宇立面媒体屏联动的大型城市景观
用于高层楼体、桥梁等大型建筑物的装饰照明
用于户外、场馆、星级酒店、公园等景观照明

Application:

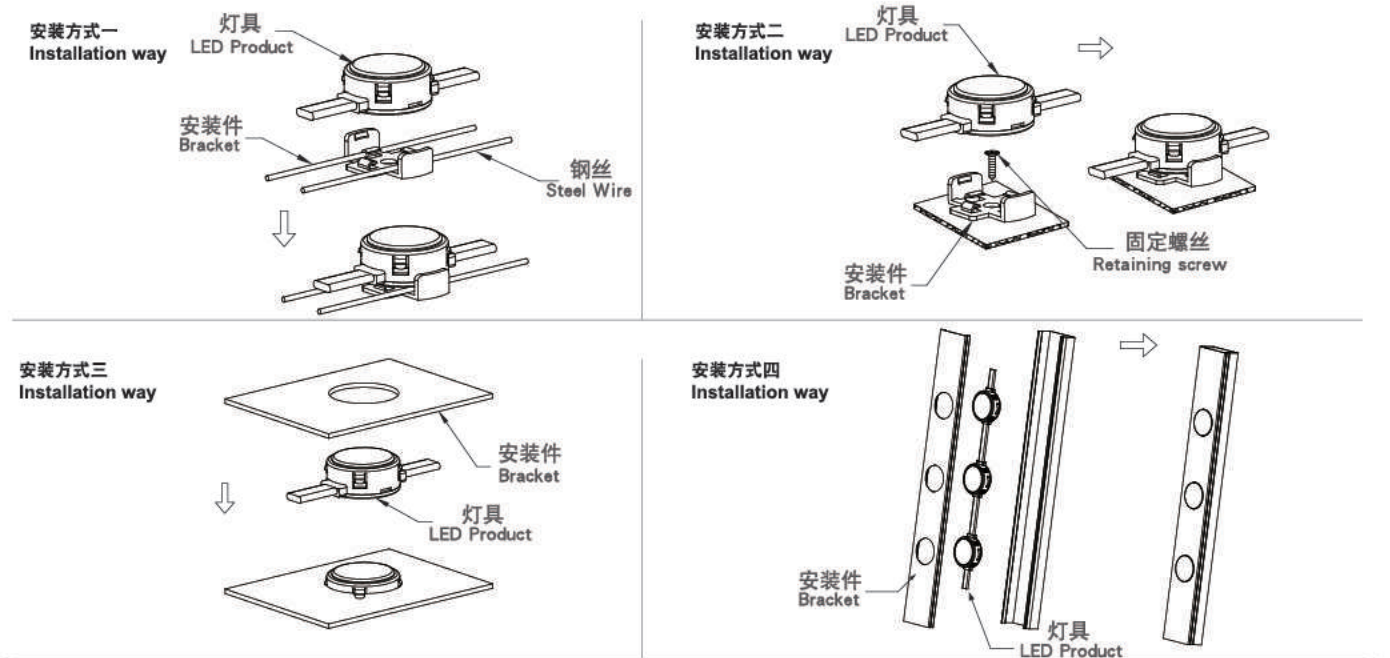
Large urban landscape for linkage of multiple building facade media screen
Decorative lighting for large building such as high-rise building and bridge
For outdoor lighting, outdoor venue, high-level hotel, park, etc

尺寸图 Size chart



应用安装示意图

Application installation schematic diagram



技术参数

technical parameter

光源品牌 light source:	Epistar/Cree/Osram	工作电压 Working voltage:	DC24V
灰度等级 Gray level:	256 / 65536	额定功率 Power:	2.4W/3W
发光角度 Beam angle:	> 120°	控制方式 Control mode:	DMX/TTL/常亮
灯具尺寸 Lamp size:	64.6*72*14.9mm	外壳颜色 Shell color:	灰色/黑色
灯珠类型 Led type:	3535RGB/2835White/R/G/B/Y	灯具寿命 Lamp life:	> 50000H
外壳材料 Housing material:	工程塑料	防护等级 Protection level:	IP67
工作温度 Working temperature:	-20℃至60℃	阻燃等级 Flame retardant grade:	94-V0
应用场景 Application:	建筑轮廓/媒体立面/景观照明	电气安全等级 Electrical safety level:	III级

产品选型

Product selection

规格型号 Specification	光源 light source	颜色 Color	亮度 Brightness	工作电压 Voltage	功率Wattage	控制方式 Control mode
SH-JD65-DMX-RGB	3535 RGB * 12 pcs	RGB	> 28800MCD	DC24V	2.4W	DMX
SH-JD65-RGB+White	3535 RGB * 12 pcs * 2835 White * 4 pcs	RGB+White	> 43200MCD	DC24V	3W	DMX
SH-JD65-DMX-White	2835 White * 12 pcs	White	> 28800MCD	DC24V	2.4W	DMX
SH-JD65-TTL-RGB	3535 RGB * 12 pcs	RGB	> 28800MCD	DC24V	2.4W	TTL
SH-JD65-Single_Color	2835 * 12 pcs	R/G/B/Y/White	> 28800MCD	DC24V	2.4W	常亮



产品特点 Features

- 自主知识产权，专利外观设计，工程项目专用
- 采用SMD3535RGB高亮全彩灯珠，发光角度大
- 采用PU胶灌胶，不易开裂，产品防护等级高
- 线材及外壳选用抗寒、抗UV、阻燃材料，适合长期户外使用
- Independent intellectual property rights, private model design, dedicated to lighting engineering projects
- Adopt SMD3535RGB high-bright full-color lamp beads with large illumination angle
- Adopt PU glue filling glue, which is not easy to crack and has high product protection grade
- The wire and shell are made of cold-resistant, UV-resistant and flame-retardant materials, suitable for long-term outdoor use

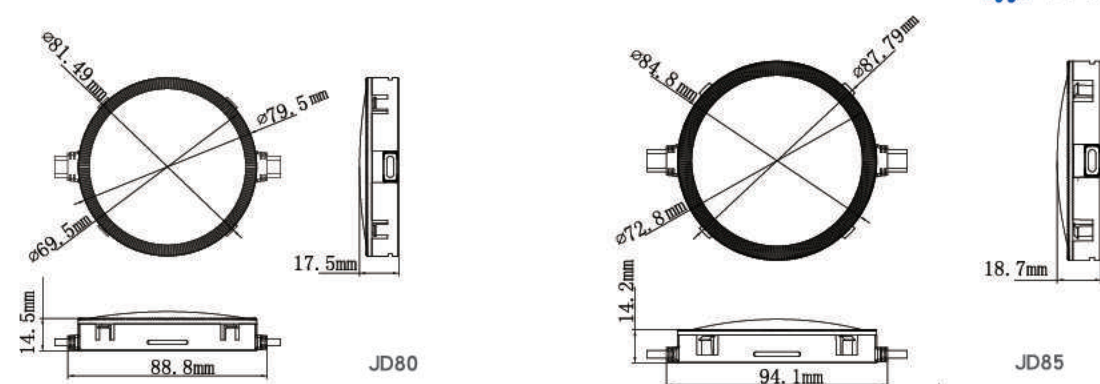
应用范围:

用于多栋楼宇立面媒体屏联动的大型城市景观
用于高层楼体、桥梁等大型建筑物的装饰照明
用于户外、场馆、星级酒店、公园等景观照明

Application:

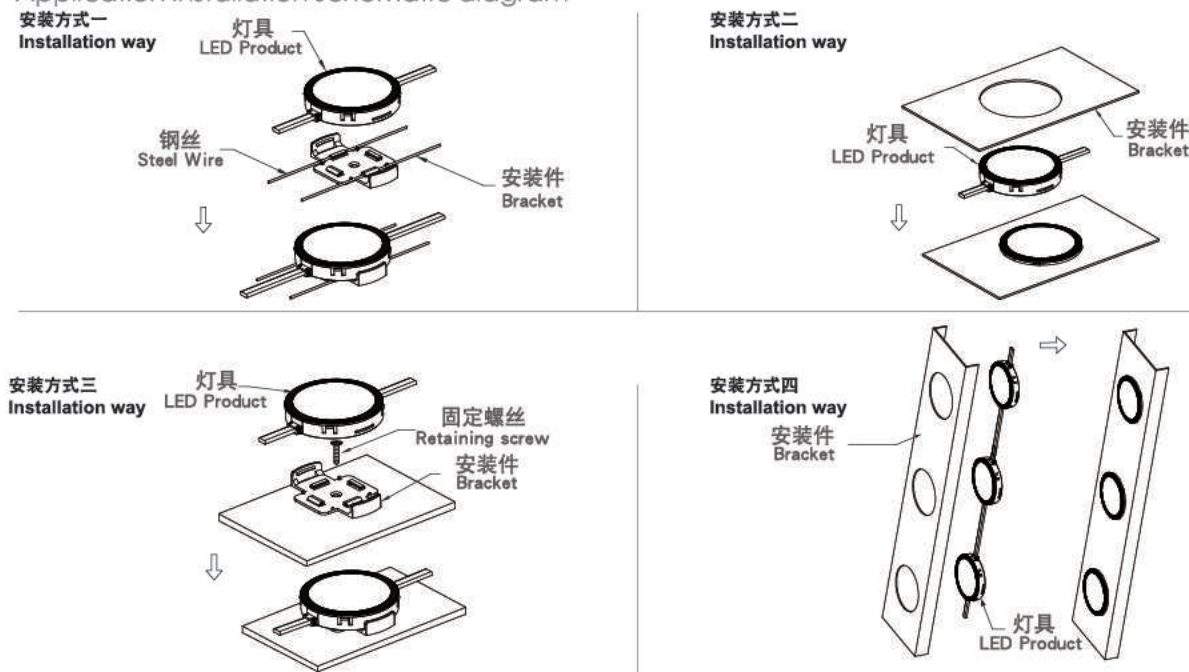
Large urban landscape for linkage of multiple building facade media screen
Decorative lighting for large building such as high-rise building and bridge
For outdoor lighting, outdoor venue, high-level hotel, park, etc

尺寸图 Size chart



应用安装示意图 Application installation schematic diagram

应用安装示意图
Application installation schematic diagram



技术参数 technical parameter

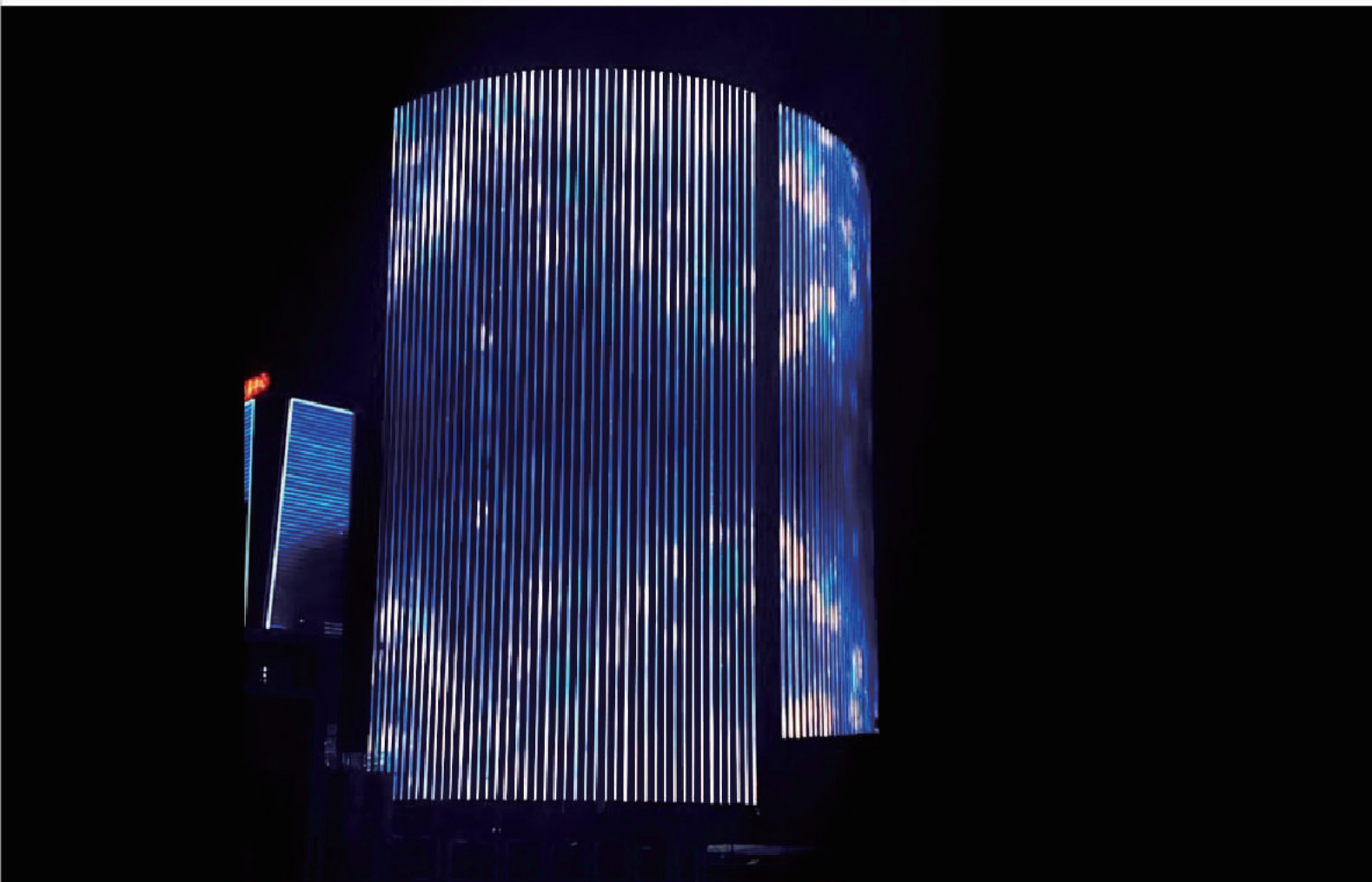
光源品牌 light source:	Epistar/Cree/Osram	工作电压 Working voltage:	DC24V
灰度等级 Gray level:	256/65536	额定功率 Power:	2.6W/2.8W/3.6W
发光角度 Beam angle:	> 120°	控制方式 Control mode:	DMX/TTL/常亮
灯具尺寸 Lamp size:	φ 79.5*17.5*88.8mm	外壳颜色 Shell color:	灰色/黑色
灯珠类型 Led type:	3535RGB/2835White/R/G/B/Y	灯具寿命 Lamp life:	> 50000H
外壳材料 Housing material:	工程塑料	防护等级 Protection level:	IP67
工作温度 Working temperature:	-20℃至60℃	阻燃等级 Flame retardant grade:	94-V0
应用场景 Application:	建筑轮廓/媒体立面/景观照明	电气安全等级 Electrical safety level:	III级

产品选型 Product selection

规格型号 Specification	光源 light source	颜色 Color	亮度 Brightness	工作电压 Voltage	功率 Wattage	控制方式 Control mode
SH-JD80/85-DMX-RGB	3535 RGB * 12 pcs	RGB	> 28800MCD	DC24V	2.8W	DMX
SH-JD80/85-RGB+White	3535 RGB * 12 pcs * 2835 White * 4 pcs	RGB+White	> 43200MCD	DC24V	3.6W	DMX
SH-JD80/85-DMX-White	2835 White * 12 pcs	White	> 28800MCD	DC24V	2.8W	DMX
SH-JD80/85-TTL-RGB	3535 RGB * 12 pcs	RGB	> 28800MCD	DC24V	2.8W	TTL
SH-JD80/85-Single_Color	2835 * 12 pcs	R/G/B/Y/White	> 28800MCD	DC24V	2.6W	常亮

LED线型点光源-LD系列

LED Linear Point Light Source - LD Series



CONTENTS

内容

SH-LD01 线型点光源	P115-P116
SH-LD02 线型点光源	P117-P118

NEWS

新技术新工艺新未来 New technology New future
LED线型点光源 Led Linear Point Light Source

LED线型点光源-LD系列





产品特点 Features

- 自主知识产权，私模外观设计，工程项目专用
- 线条灯长度可以随意制定，实现无缝拼接
- 发光角度可调整
- 采用PU胶灌胶，不易开裂，产品防护等级高
- 线材及外壳选用抗寒、抗UV、阻燃材料，适合长期户外使用
- Independent intellectual property rights, private model design, dedicated to lighting engineering projects
- The length of the line lights can be set at will to achieve seamless stitching
- The beam angle can adjust, customized according to customer needs
- Adopt PU glue filling glue, which is not easy to crack and has high product protection grade
- The wire and shell are made of cold-resistant, UV-resistant and flame-retardant materials, suitable for long-term outdoor use

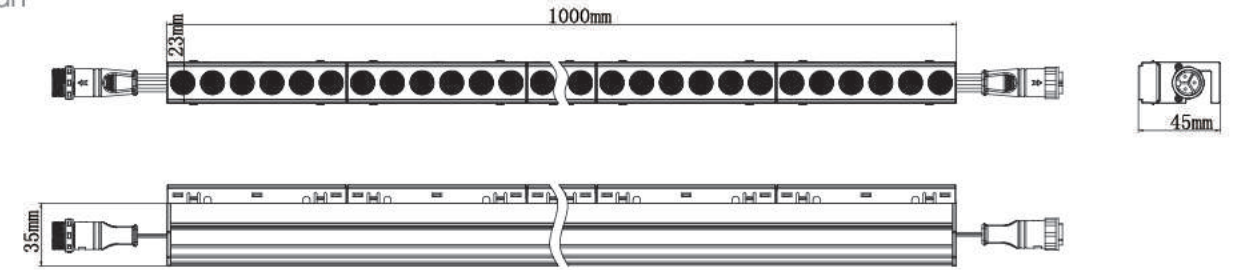
应用范围:

楼体轮廓、楼面亮化、大型商场外墙、星级酒店、商业综合体等。

Application:

Building outline, floor lighting, large shopping mall exterior walls, Star hotels, commercial complexes, etc.

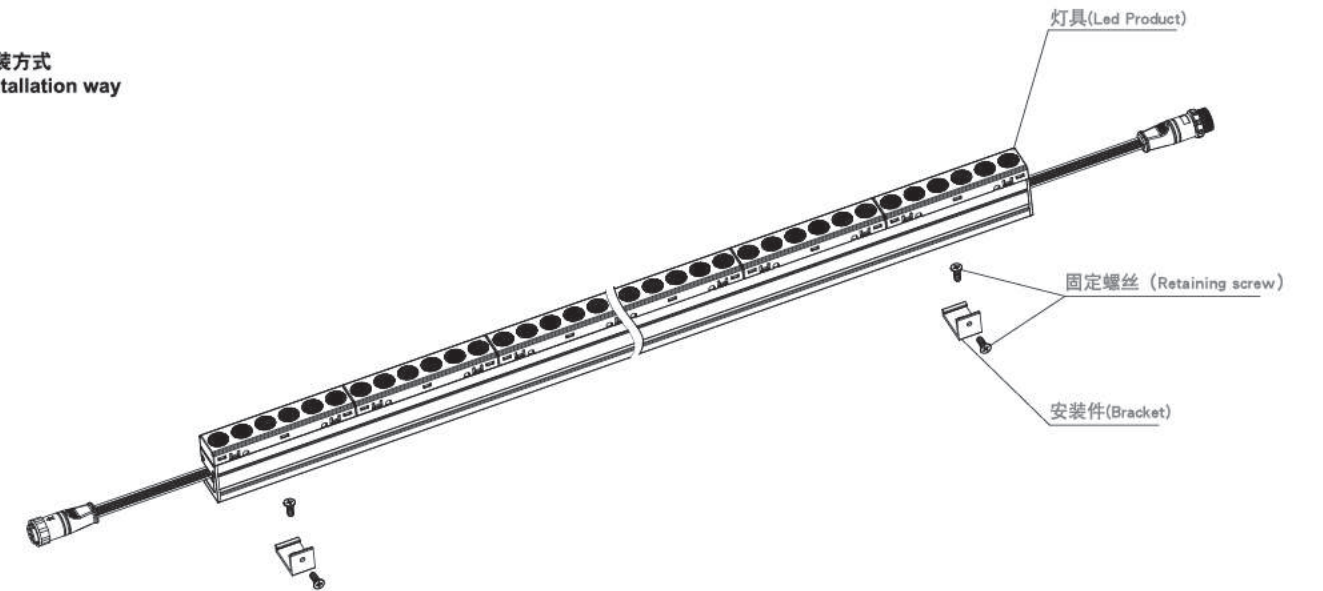
尺寸图 Size chart



应用安装示意图

Application installation schematic diagram

安装方式 Installation way



技术参数

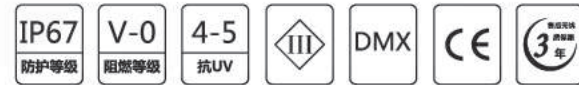
technical parameter

光源品牌 light source:	Epistar/Cree/Osram	工作电压 Working voltage:	DC24V
灰度等级 Gray level:	256/65536	额定功率 Power:	14W
发光角度 Beam angle:	> 10°	控制方式 Control mode:	DMX/TTL/常亮
灯具尺寸 Lamp size:	23*45*1000MM	外壳颜色 Shell color:	灰色/黑色
灯珠类型 Led type:	2835	灯具寿命 Lamp life:	> 50000H
外壳材料 Housing material:	压铸铝	防护等级 Protection level:	IP67
工作温度 Working temperature:	-20℃至60℃	阻燃等级 Flame retardant grade:	94-V0
应用场景 Application:	建筑轮廓/媒体立面/景观照明	电气安全等级 Electrical safety level:	III级

产品选型

Product selection

规格型号 Specification	光源 light source	颜色 Color	亮度 Brightness	工作电压 Voltage	功率 Wattage	控制方式 Control mode
SH-LD01-DMX-White	2835W*6	2200-6500K	14400MCD	24V	14w	DMX
SH-LD01-SingleColor	2835W*6	2200-6500K	14400MCD	24V	14w	常亮



产品特点 Features

- 自主知识产权，私模外观设计，工程项目专用
- 线条灯长度可以随意制定，实现无缝拼接
- 发光角度可调整
- 采用PU胶灌胶，不易开裂，产品防护等级高
- 线材及外壳选用抗寒、抗UV、阻燃材料，适合长期户外使用
- Independent intellectual property rights, private model design, dedicated to lighting engineering projects
- The length of the line lights can be set at will to achieve seamless stitching
- The beam angle can adjust, customized according to customer needs
- Adopt PU glue filling glue, which is not easy to crack and has high product protection grade
- The wire and shell are made of cold-resistant, UV-resistant and flame-retardant materials, suitable for long-term outdoor use

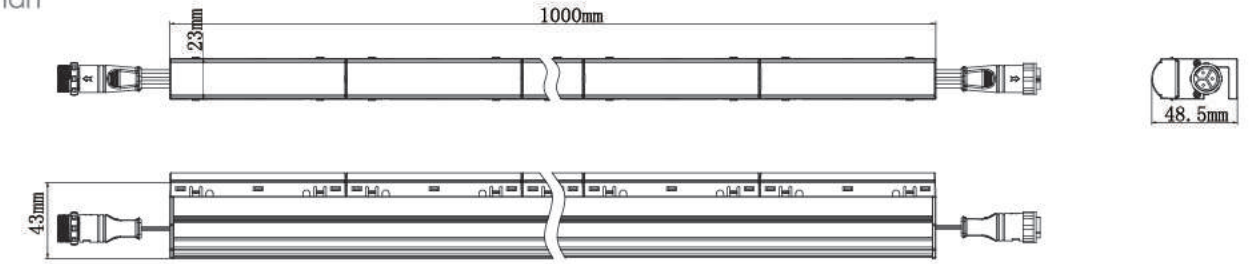
应用范围:

楼体轮廓、楼面亮化、大型商场外墙、星级酒店、商业综合体等。

Application:

Building outline, floor lighting, large shopping mall exterior walls, Star hotels, commercial complexes, etc.

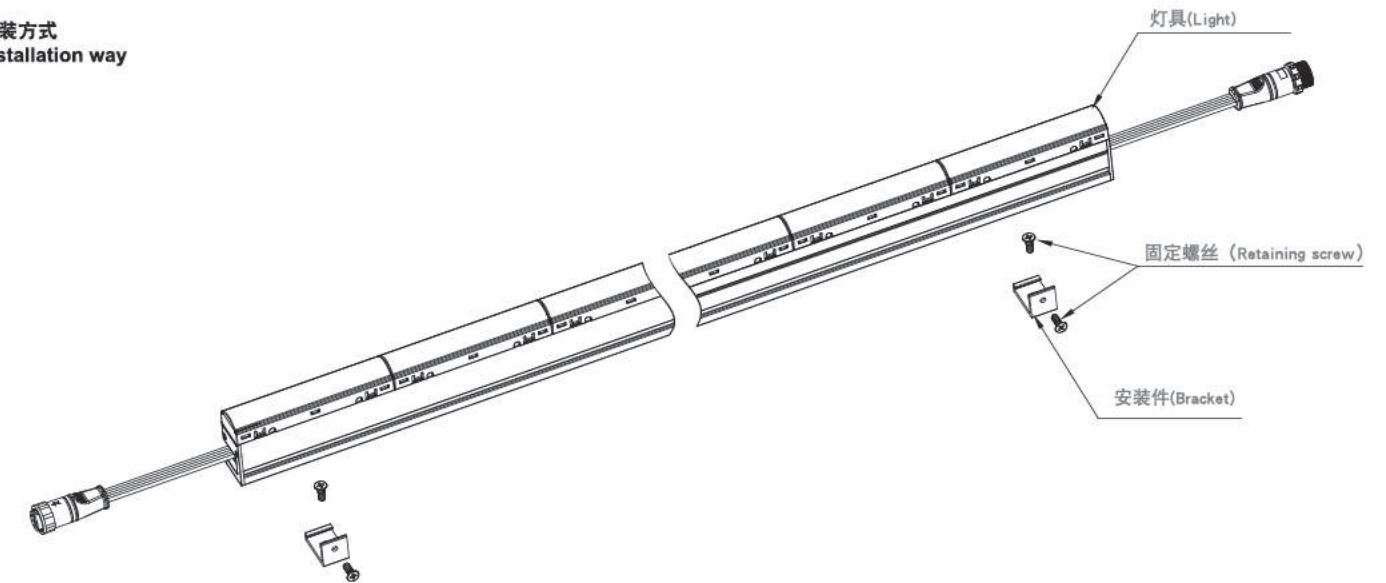
尺寸图 Size chart



应用安装示意图

Application installation schematic diagram

安装方式 Installation way



技术参数

technical parameter

光源品牌 light source:	Epistar/Cree/Osram	工作电压 Working voltage:	DC24V
灰度等级 Gray level:	256/65536	额定功率 Power:	13W/14W/28W
发光角度 Beam angle:	> 120°	控制方式 Control mode:	DMX/TTL/常亮
灯具尺寸 Lamp size:	23*48.5*1000MM	外壳颜色 Shell color:	灰色/黑色
灯珠类型 Led type:	3535RGB/2835White/R/G/B/Y	灯具寿命 Lamp life:	> 50000H
外壳材料 Housing material:	压铸铝	防护等级 Protection level:	IP67
工作温度 Working temperature:	-20℃至60℃	阻燃等级 Flame retardant grade:	94-V0
应用场景 Application:	建筑轮廓/媒体立面/景观照明	电气安全等级 Electrical safety level:	III级

产品选型

Product selection

规格型号 Specification	光源 light source	颜色 Color	亮度 Brightness	工作电压 Voltage	功率 Wattage	控制方式 Control mode
SH-LD02-DMX-RGB	3535RGB*6	RGB	14400MCD	24V	14W	DMX
SH-LD02-DMX-RGBW	3535RGB*6+2835W*6	RGBW	28800MCD	24V	28W	DMX
SH-LD02-SingleColor	2835W*6	2200-6500K	14400MCD	24V	13W	常亮

LED洗墙灯-XQ系列

LED wall washer-XQ series



CONTENTS

内容

SH-XQ01	P73-P74
SH-XQ02	P75-P76
SH-XQ03	P77-P78

NEWS

应用范围：建筑、园林、景观、广告牌等
Application: Architecture, gardens, landscapes, billboards, etc.

LED洗墙灯-XQ系列





产品特点 Features

- 自主知识产权，私模外观设计，外观精美
- 专业光学设计，混光均匀，亮度高
- 结构防水设计，防护等级IP67
- 低热阻散热设计，航空铝合金灯条
- 灯具本身抗寒耐候设计，能适用不同的户外环境
- 采用恒流方案及中间出线设计，减少灯具压降，使灯具显示颜色一致性高
- 支持DMX512控制系统，实现智能调光
- 户外防雷及静电专业防护设计
- Independent intellectual property rights, private mold design, beautiful appearance
- Professional optical design, uniform light mixing and high brightness
- Structure waterproof design, protection grade IP67
Low thermal resistance heat dissipation design, aviation aluminum alloy lamp bar
- The lamps are designed to resist cold and weather, and can be applied to different outdoor environments
- Constant current scheme and intermediate outlet line design are adopted to reduce the voltage drop of lamps and lanterns, so that the display color consistency of lamps and lanterns is high
- Support DMX512 control system to realize intelligent dimming
- Outdoor lightning protection and electrostatic professional protection design

应用范围:

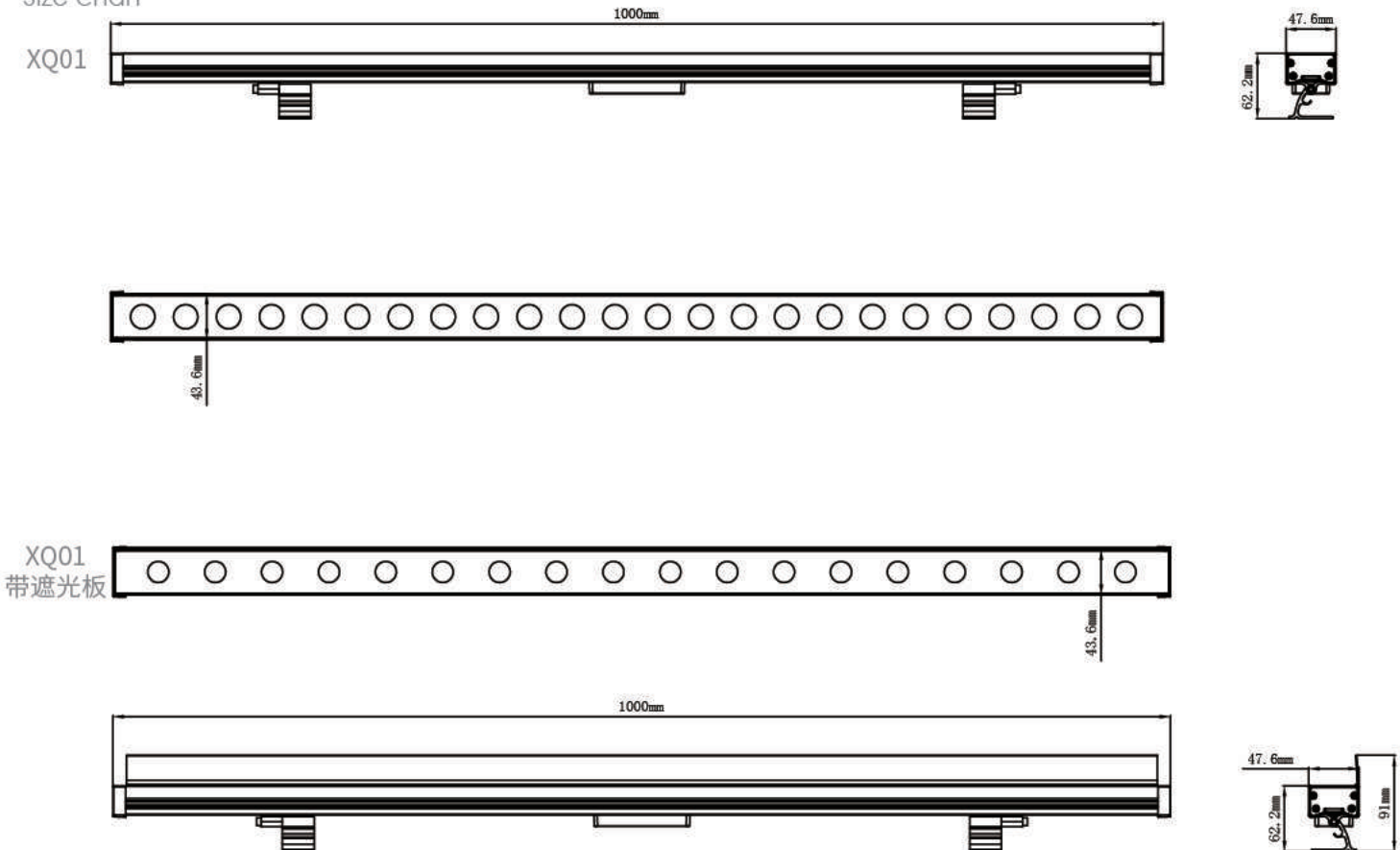
建筑、园林、景观、广告牌等

Application:

Architecture, gardens, landscapes, billboards, etc.

尺寸图

Size chart



技术参数

technical parameter

光源品牌 Light source:	Epistar/Cree/Osram	工作电压 Working voltage :	DC24V
灰度等级 Gray level:	256/65536	额定功率 Power :	18W/24W
发光角度 Beam angle :	8°/30°/45°/60°/10°60°/15°45°	控制方式 Control mode:	DMX/常亮
灯具尺寸 Lamp size:	47.6*62.2*1000mm	外壳颜色 Shell color :	银色/灰色
灯珠类型 Led type:	3535RGB/3030W	灯具寿命 Lamp life:	≥50000H
外壳材料 Housing material:	AL6063 铝+钢化玻璃	防护等级 Protection level:	IP65
工作温度 Working temperature:	-20°C至60°C	阻燃等级 Flame retardant grade :	94-V0
应用场景 Application:	建筑轮廓/媒体立面/景观照明	电气安全等级 Electrical safety level:	III级

产品选型

Product selection

规格型号 Product NO	光源 Light source	颜色 Color	段数 sections	亮度 Brightness	工作电压 Voltage	功率 Power	控制方式 Control mode
SH-XQ01-DMX-RGBW	3030 RGBW*18 pcs	RGBW	3	≥35lm/W	DC24V	18W	DMX
SH-XQ01-DMX-White	3030 White*18 pcs	2200K-6500K	1	≥65lm/W	DC24V	18W	DMX
SH-XQ01-SingleColor	3030 White*18 pcs	2200K-6500K	/	≥65lm/W	DC24V	18W	ON-OFF
SH-XQ01-DMX-RGBW	3030 RGBW*18 pcs	RGBW	3	≥35lm/W	DC24V	24W	DMX
SH-XQ01-SingleColor	3030 White*24 pcs	2200K-6500K	1	≥65lm/W	DC24V	24W	DMX
SH-XQ01-DMX-RGBW	3030 RGBW*24 pc	2200K-6500K	/	≥65lm/W	DC24V	24W	ON-OFF



产品特点 Features

- 自主知识产权，私模外观设计，外观精美
- 专业光学设计，混光均匀，亮度高
- 结构防水设计，防护等级IP67
- 低热阻散热设计，航空铝合金灯条
- 灯具本身抗寒耐候设计，能适用不同的户外环境
- 采用恒流方案及中间出线设计，减少灯具压降，使灯具显示颜色一致性高
- 支持DMX512控制系统，实现智能调光
- 户外防雷及静电专业防护设计
- Independent intellectual property rights, private mold design, beautiful appearance
- Professional optical design, uniform light mixing and high brightness
- Structure waterproof design, protection grade IP67
- Low thermal resistance heat dissipation design, aviation aluminum alloy lamp bar
- The lamps are designed to resist cold and weather, and can be applied to different outdoor environments
- Constant current scheme and intermediate outlet line design are adopted to reduce the voltage drop of lamps and lanterns, so that the display color consistency of lamps and lanterns is high
- Support DMX512 control system to realize intelligent dimming
- Outdoor lightning protection and electrostatic professional protection design

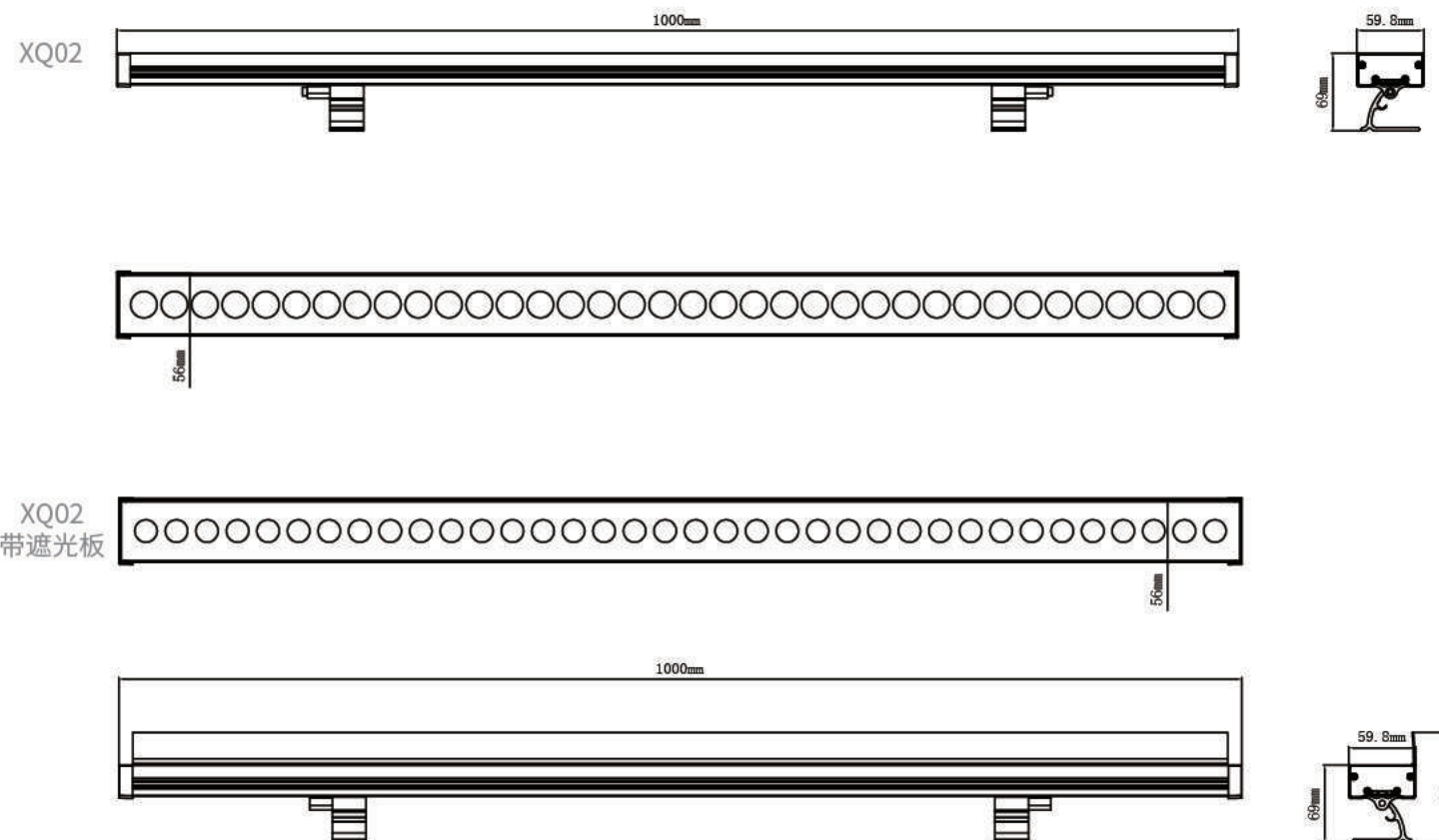
应用范围:

建筑、园林、景观、广告牌等

Application:

Architecture, gardens, landscapes, billboards, etc.

尺寸图 Size chart



技术参数

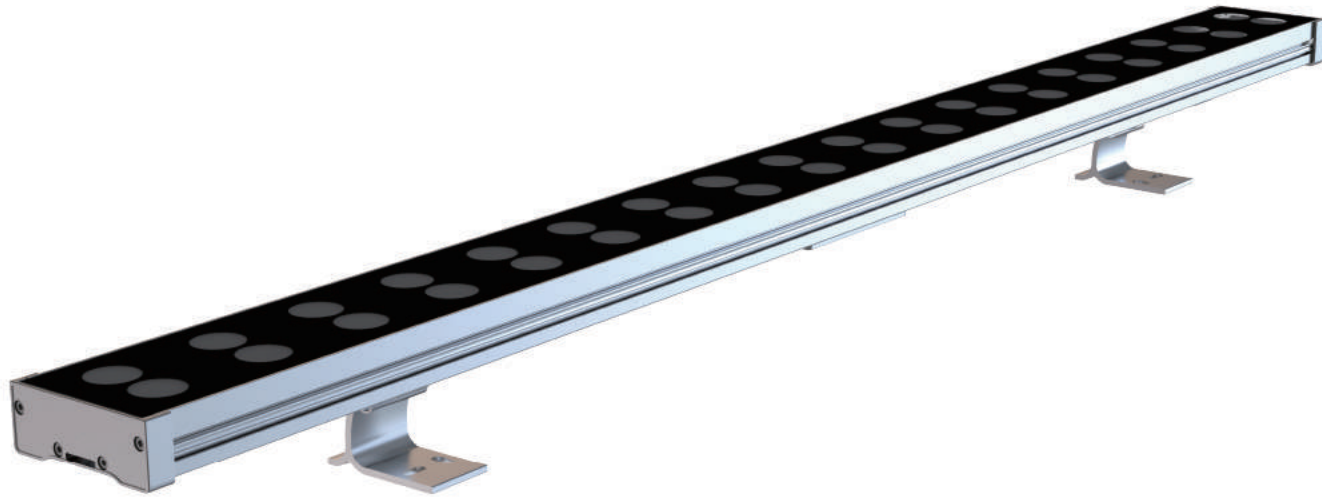
technical parameter

光源品牌 Light source:	Epistar/Cree/Osram	工作电压 Working voltage :	DC24V
灰度等级 Gray level:	256/65536	额定功率 Power :	36W/48W
发光角度 Beam angle :	8°/30°/45°/60°/10°60°/15°45°	控制方式 Control mode:	DMX/常亮
灯具尺寸 Lamp size:	59.8*60*1000mm	外壳颜色 Shell color :	银色/灰色
灯珠类型 Led type:	3535RGB/3030W	灯具寿命 Lamp life:	≥50000H
外壳材料 Housing material:	AL6063 铝+钢化玻璃	防护等级 Protection level:	IP65
工作温度 Working temperature:	-20°C至60°C	阻燃等级 Flame retardant grade :	94-V0
应用场景 Application:	建筑轮廓/媒体立面/景观照明	电气安全等级 Electrical safety level:	III级

产品选型

Product selection

规格型号 Product NO	光源 Light source	颜色 Color	段数 sections	光效 Luminance efficiency	工作电压 Voltage	功率 Power	控制方式 Control mode
SH-XQ02-DMX-RGBW	3030 RGBW*24pcs	RGBW	4	≥35lm/W	DC24V	36W	DMX
SH-XQ02-DMX-White	3030 White*36 pcs	2200K-6500K	1	≥65lm/W	DC24V	36W	DMX
SH-XQ02-SingleColor	3030 White*36 pcs	2200K-6500K	1	≥65lm/W	DC24V	36W	ON-OFF
SH-XQ02-DMX-RGBW	3030 RGBW*24pcs	RGBW	4	≥35lm/W	DC24V	48W	DMX
SH-XQ02-DMX-White	3030 White*24 pcs	2200K-6500K	1	≥65lm/W	DC24V	48W	DMX
SH-XQ02-SingleColor	3030 White*24 pcs	2200K-6500K	1	≥65lm/W	DC24V	48W	ON-OFF



产品特点 Features

- 自主知识产权，私模外观设计，外观精美
- 专业光学设计，混光均匀，亮度高
- 结构防水设计，防护等级IP67
- 低热阻散热设计，航空铝合金灯条
- 灯具本身抗寒耐候设计，能适用不同的户外环境
- 采用恒流方案及中间出线设计，减少灯具压降，使灯具显示颜色一致性高
- 支持DMX512控制系统，实现智能调光
- 户外防雷及静电专业防护设计
- Independent intellectual property rights, private mold design, beautiful appearance
- Professional optical design, uniform light mixing and high brightness
- Structure waterproof design, protection grade IP67
- Low thermal resistance heat dissipation design, aviation aluminum alloy lamp bar
- The lamps are designed to resist cold and weather, and can be applied to different outdoor environments
- Constant current scheme and intermediate outlet line design are adopted to reduce the voltage drop of lamps and lanterns, so that the display color consistency of lamps and lanterns is high
- Support DMX512 control system to realize intelligent dimming
- Outdoor lightning protection and electrostatic professional protection design

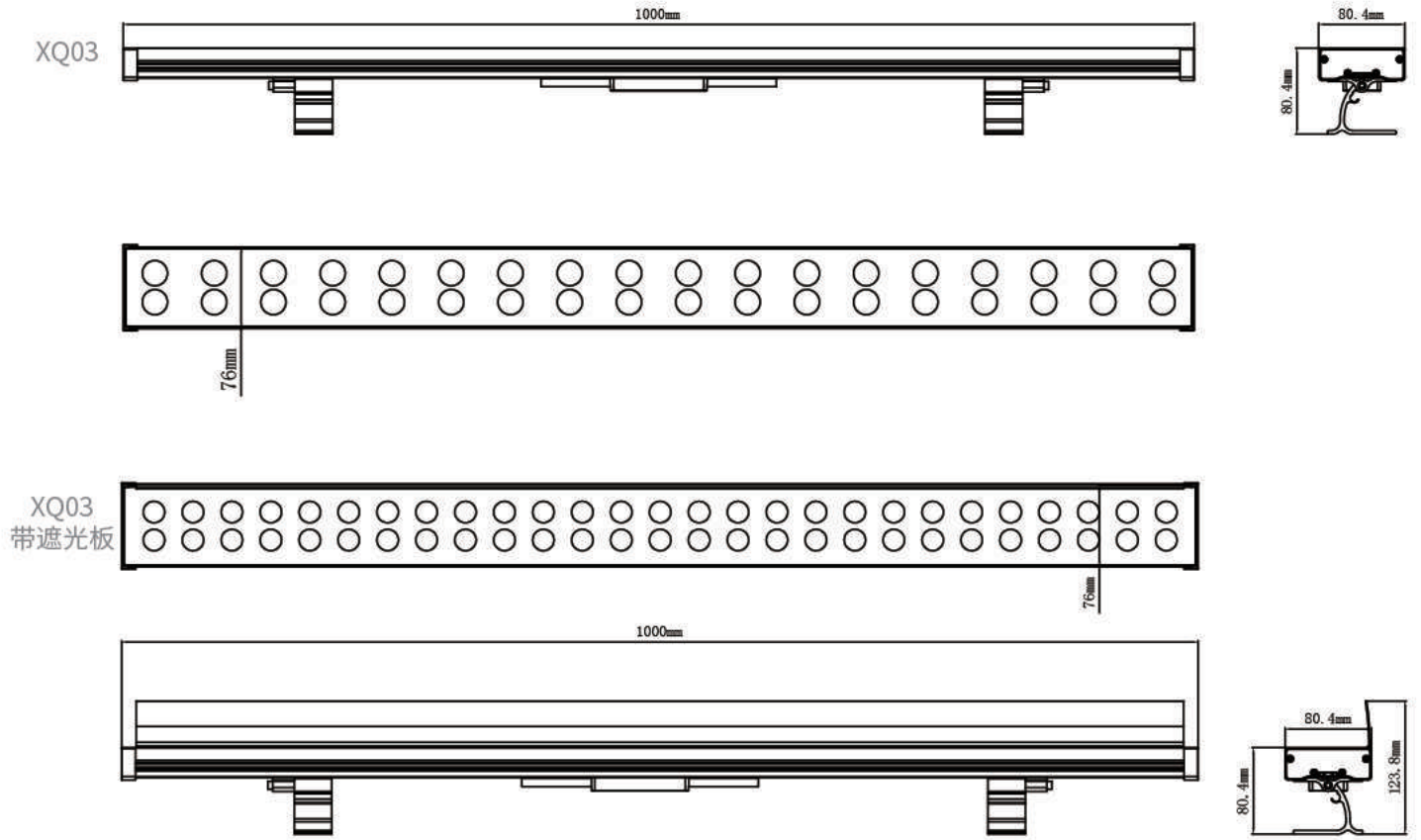
应用范围:

建筑、园林、景观、广告牌等

Application:

Architecture, gardens, landscapes, billboards, etc.

尺寸图 Size chart



技术参数

technical parameter

光源品牌 Light source:	Epistar/Cree/Osram	工作电压 Working voltage :	DC24V
灰度等级 Gray level:	256/65536	额定功率 Power :	60W/72W
发光角度 Beam angle :	8°/30°/45°/60°/10°60°/15°45°	控制方式 Control mode:	DMX/常亮
灯具尺寸 Lamp size:	80.4*80.4*1000mm	外壳颜色 Shell color :	银色/灰色
灯珠类型 Led type:	3535RGB/3030W	灯具寿命 Lamp life:	≥50000H
外壳材料 Housing material:	AL6063 铝+钢化玻璃	防护等级 Protection level:	IP65
工作温度 Working temperature:	-20°C至60°C	阻燃等级 Flame retardant grade :	94-V0
应用场景 Application:	建筑轮廓/媒体立面/景观照明	电气安全等级 Electrical safety level:	III级

产品选型

Product selection

规格型号 Product NO	光源 Light source	颜色 Color	段数 sectionce	光效 Luminance efficiency	工作电压 Voltage	功率 Power	控制方式 Control mode
SH-XQ03-DMX-RGBW	3030 RGBW*36 pcs	RGBW	6	≥35lm/W	DC24V	54W	DMX
SH-XQ03-DMX-White	3030 White*54 pcs	2200K-6500K	1	≥65lm/W	DC24V	54W	DMX
SH-XQ03-SingleColor	3030 White*54 pcs	2200K-6500K	/	≥65lm/W	DC24V	54W	ON-OFF
SH-XQ03-DMX-RGBW	3030 RGBW*36 pcs	RGBW	6	≥35lm/W	DC24V	72W	DMX
SH-XQ03-DMX-White	3030 White*72pcs	2200K-6500K	1	≥65lm/W	DC24V	72W	DMX
SH-XQ03-SingleColor	3030 White*72 pcs	2200K-6500K	/	≥65lm/W	DC24V	72W	ON-OFF

LED投光灯-TG系列

LED Flood Light-TG Series



CONTENTS

内容

SH-TG01	P81-P82	SH-TG04	P87-P88	SH-TG07	P93-P94
SH-TG02	P83-P84	SH-TG05	P89-P90	SH-TG08	P95-P96
SH-TG03	P85-P86	SH-TG06	P91-P92	SH-TG09	P97-P98

NEWS

应用范围：建筑、园林、景观、广告牌等
Application: Architecture, gardens, landscapes, billboards, etc.

LED投光灯-TG系列





产品特点 Features

- 自主知识产权，私模外观设计，外观精美
- 专业光学设计，混光均匀，投射距离远
- 结构防水设计，防护等级达到IP67
- 高耐压铸铝外壳，全钢化超白玻璃，具有优良的散热、防腐性能
- 采用恒流方案设计，使灯具显示颜色一致性高
- 支持DMX512控制系统，实现智能调光
- 户外防雷及静电专业防护设计

- Independent intellectual property rights, private design, beautiful appearance.
- Professional optical design, uniform light mixing and long projection distance.
- Waterproof design of the structure, with the protection level reaching IP67.
- High corrosion-resistant die-cast aluminum shell, fully tempered ultra-white glass, with excellent heat dissipation and corrosion resistance.
- The design of constant current scheme makes the display color consistency of lamps high.
- Support DMX512 control system to realize intelligent dimming.
- Outdoor lightning protection and electrostatic professional protection design

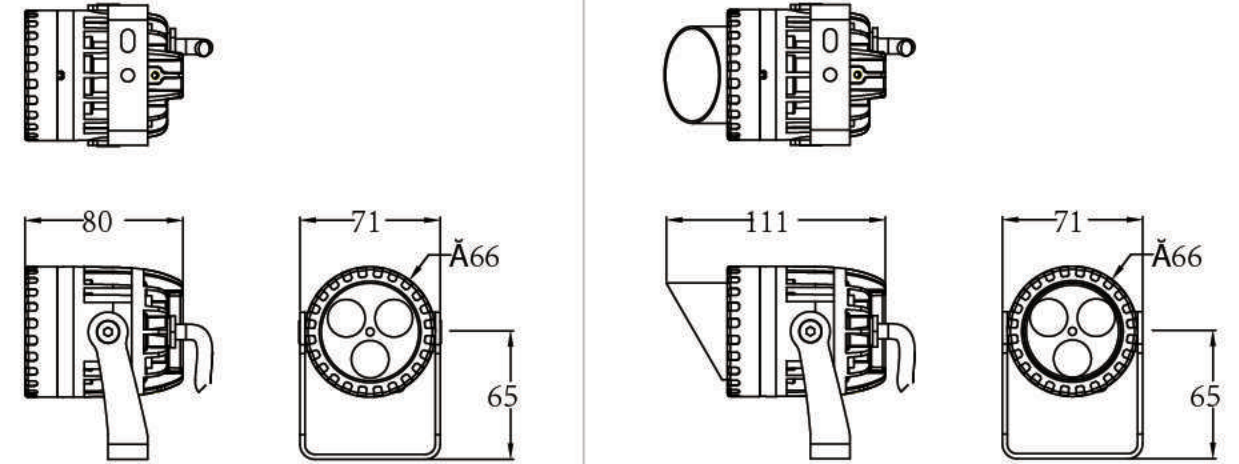
应用范围:

建筑、园林、景观、广告牌等

Application:

Architecture, gardens, landscapes, billboards, etc.

尺寸图 Size chart



TG01

TG01带遮光板

技术参数

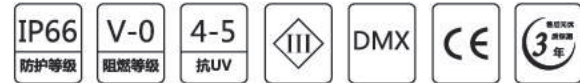
technical parameter

光源品牌 Light source:	Cree	工作电压 Working voltage :	DC24V
灰度等级 Gray level:	256/65536(16Bits)	额定功率 Power :	3W/6W/9W
发光角度 Beam angle :	3.5°、8~60°	控制方式 Control mode:	DMX/常亮
灯具尺寸 Lamp size:	Ø66mm*H98mm	外壳颜色 Shell color :	黑色/灰色
灯珠类型 Led type:	SMD3535W	灯具寿命 Lamp life:	≥50000H
外壳材料 Housing material:	压铸铝+钢化玻璃	防护等级 Protection level:	IP66
工作温度 Working temperature:	-40°C至+50°C	阻燃等级 Flame retardant grade :	94-V0
应用场景 Application:	建筑轮廓/媒体立面/景观照明	电气安全等级 Electrical safety level:	III级

产品选型

Product selection

规格型号 Product NO	光源 Light source	颜色 Color	光效 Luminance efficiency	段数 sectionce	工作电压 Voltage	功率 Power	控制方式 Control mode
SH-TG01-DMX-RGB	3535 RGB*3PCS	RGB	≥25lm/W	1	DC24V	9W	DMX
SH-TG01-DMX-RGBW	3535 RGBW*3PCS	RGBW	≥35lm/W	1	DC24V	9W	DMX
SH-TG01-DMX-White	3535 White*3PCS	2200K-6500K	≥65lm/W	1	DC24V	9W	DMX
SH-TG01-SingleColor	3535 White*3PCS	2200K-6500K	≥65lm/W	/	DC24V	9W	ON-OFF



产品特点 Features

- 自主知识产权，私模外观设计，外观精美
- 专业光学设计，混光均匀，投射距离远
- 结构防水设计，防护等级达到IP67
- 高耐腐蚀压铸铝外壳，全钢化超白玻璃，具有优良的散热、防腐性能
- 采用恒流方案设计，使灯具显示颜色一致性高
- 支持DMX512控制系统，实现智能调光
- 户外防雷及静电专业防护设计

- Independent intellectual property rights, private design, beautiful appearance.
- Professional optical design, uniform light mixing and long projection distance.
- Waterproof design of the structure, with the protection level reaching IP67.
- High corrosion-resistant die-cast aluminum shell, fully tempered ultra-white glass, with excellent heat dissipation and corrosion resistance.
- The design of constant current scheme makes the display color consistency of lamps high.
- Support DMX512 control system to realize intelligent dimming.
- Outdoor lightning protection and electrostatic professional protection design

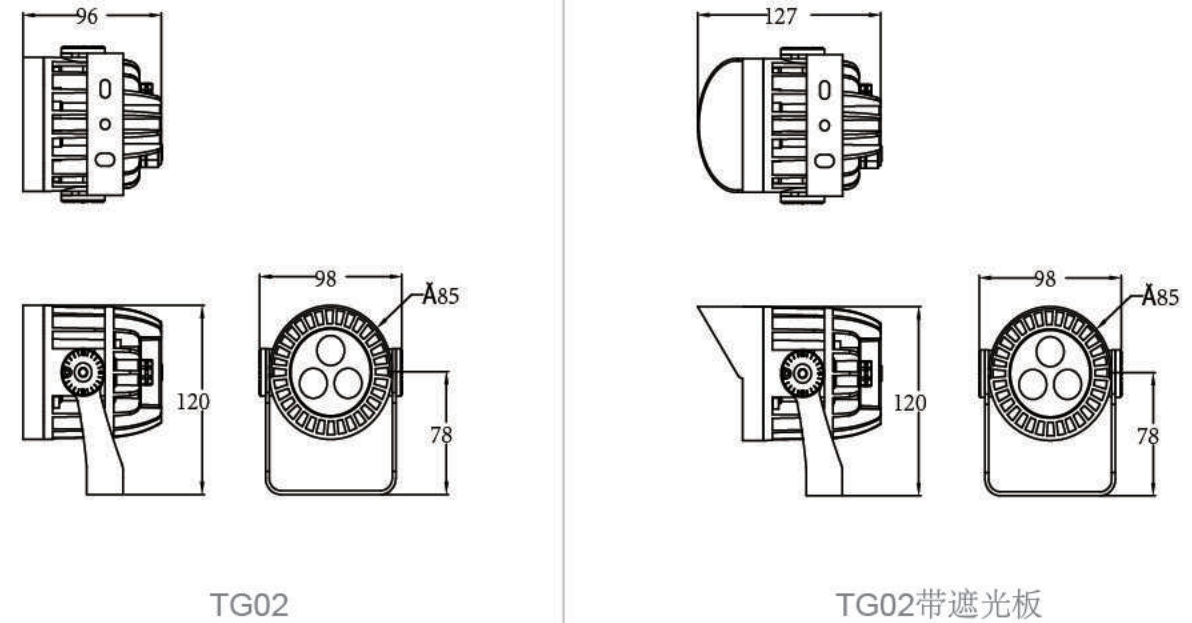
应用范围:

建筑、园林、景观、广告牌等

Application:

Architecture, gardens, landscapes, billboards, etc.

尺寸图 Size chart



技术参数

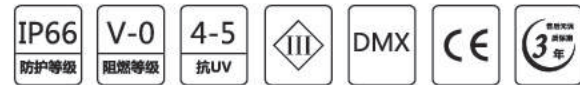
technical parameter

光源品牌 Light source:	Cree	工作电压 Working voltage :	DC24V/AC220V
灰度等级 Gray level:	256/65536(16Bits)	额定功率 Power :	9W/12W
发光角度 Beam angle :	3.5°、8~60°	控制方式 Control mode:	DMX/常亮
灯具尺寸 Lamp size:	Ø85mm*H120mm	外壳颜色 Shell color :	黑色/灰色
灯珠类型 Led type:	SMD3535W	灯具寿命 Lamp life:	≥50000H
外壳材料 Housing material:	压铸铝 +钢化玻璃	防护等级 Protection level:	IP66
工作温度 Working temperature:	-40°C至+50°C	阻燃等级 Flame retardant grade :	94-V0
应用场景 Application:	建筑轮廓/媒体立面/景观照明	电气安全等级 Electrical safety level:	III级

产品选型

Product selection

规格型号 Product NO	光源 Light source	颜色 Color	光效 Luminance efficiency	段数 sectionce	工作电压 Voltage	功率 Power	控制方式 Control mode
SH-TG02-DMX-RGB	3535 RGB *3PCS	RGB	≥25lm/W	1	DC24V	12W	DMX
SH-TG02-DMX-RGBW	3535 RGBW *3PCS	RGBW	≥35lm/W	1	DC24V	12W	DMX
SH-TG02-DMX-White	3535 White *3PCS	2200K-6500K	≥65lm/W	1	DC24V	12W	DMX
SH-TG02-SingleColor	3535 White *3PCS	2200K-6500K	≥65lm/W	/	DC24V	12W	ON-OFF



产品特点 Features

- 自主知识产权，私模外观设计，外观精美
- 专业光学设计，混光均匀，投射距离远
- 结构防水设计，防护等级达到IP67
- 高耐腐蚀压铸铝外壳，全钢化超白玻璃，具有优良的散热、防腐性能
- 采用恒流方案设计，使灯具显示颜色一致性高
- 支持DMX512控制系统，实现智能调光
- 户外防雷及静电专业防护设计

- Independent intellectual property rights, private design, beautiful appearance.
- Professional optical design, uniform light mixing and long projection distance.
- Waterproof design of the structure, with the protection level reaching IP67.
- High corrosion-resistant die-cast aluminum shell, fully tempered ultra-white glass, with excellent heat dissipation and corrosion resistance.
- The design of constant current scheme makes the display color consistency of lamps high.
- Support DMX512 control system to realize intelligent dimming.
- Outdoor lightning protection and electrostatic professional protection design

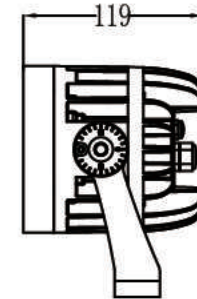
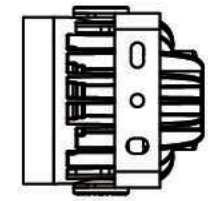
应用范围:

建筑、园林、景观、广告牌等

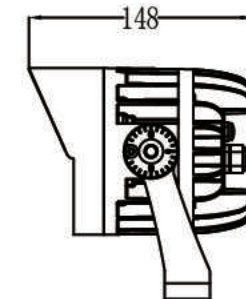
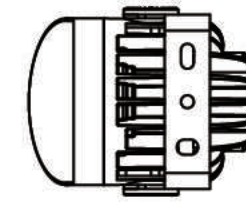
Application:

Architecture, gardens, landscapes, billboards, etc.

尺寸图 Size chart



TG03



TG03带遮光板

技术参数

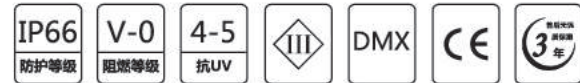
technical parameter

光源品牌 Light source:	Cree	工作电压 Working voltage:	DC24V
灰度等级 Gray level:	256/65536(16Bits)	额定功率 Power:	12W/15W/18W
发光角度 Beam angle:	3.5°、8~60°	控制方式 Control mode:	DMX/常亮
灯具尺寸 Lamp size:	Ø110mm*H153mm	外壳颜色 Shell color:	黑色/灰色
灯珠类型 Led type:	SMD3535W	灯具寿命 Lamp life:	≥50000H
外壳材料 Housing material:	压铸铝+钢化玻璃	防护等级 Protection level:	IP66
工作温度 Working temperature:	-40°C至+50°C	阻燃等级 Flame retardant grade:	94-V0
应用场景 Application:	建筑轮廓/媒体立面/景观照明	电气安全等级 Electrical safety level:	III级

产品选型

Product selection

规格型号 Product NO	光源 Light source	颜色 Color	光效 Luminance efficiency	段数 section	工作电压 Voltage	功率 Power	控制方式 Control mode
SH-TG03-DMX-RGB	3535 RGB*6PCS	RGB	≥25lm/W	1	DC24V	18w	DMX
SH-TG03-DMX-RGBW	3535 RGBW*6PCS	RGBW	≥35lm/W	1	DC24V	18w	DMX
SH-TG03-DMX-White	3535 White*6PCS	2200K-6500K	≥65lm/W	1	DC24V	18W	DMX
SH-TG03-SingleColor	3535 White*6PCS	2200K-6500K	≥65lm/W	/	DC24V	18W	ON-OFF



产品特点 Features

- 自主知识产权，私模外观设计，外观精美
- 专业光学设计，混光均匀，投射距离远
- 结构防水设计，防护等级达到IP67
- 高耐蚀压铸铝外壳，全钢化超白玻璃，具有优良的散热、防腐性能
- 采用恒流方案设计，使灯具显示颜色一致性高
- 支持DMX512控制系统，实现智能调光
- 户外防雷及静电专业防护设计

- Independent intellectual property rights, private design, beautiful appearance.
- Professional optical design, uniform light mixing and long projection distance.
- Waterproof design of the structure, with the protection level reaching IP67.
- High corrosion-resistant die-cast aluminum shell, fully tempered ultra-white glass, with excellent heat dissipation and corrosion resistance.
- The design of constant current scheme makes the display color consistency of lamps high.
- Support DMX512 control system to realize intelligent dimming.
- Outdoor lightning protection and electrostatic professional protection design

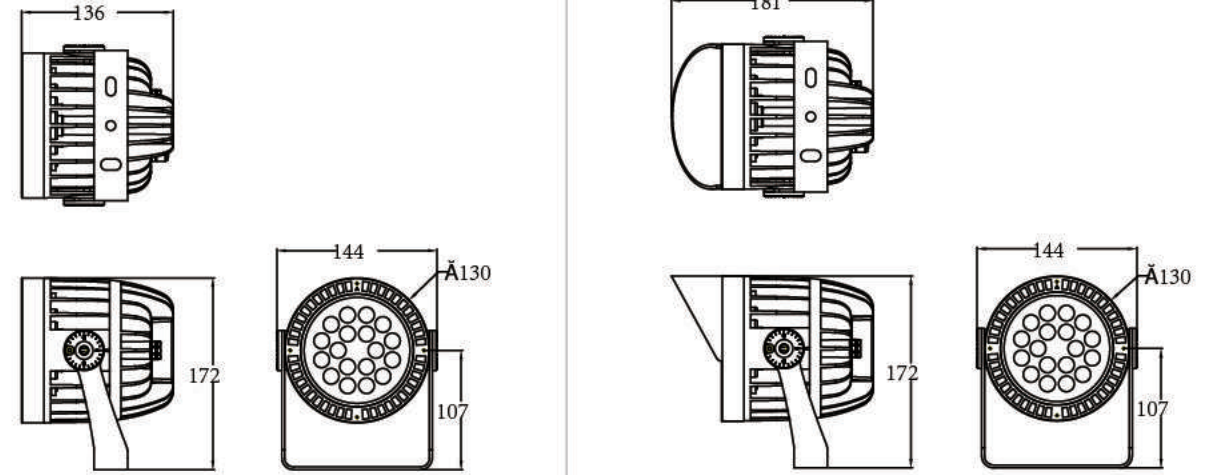
应用范围:

建筑、园林、景观、广告牌等

Application:

Architecture, gardens, landscapes, billboards, etc.

尺寸图 Size chart



TG04

TG04带遮光板

技术参数

technical parameter

光源品牌Light source:	Cree	工作电压Working voltage:	DC24V
灰度等级 Gray level:	256/65536(16Bits)	额定功率Power:	18W/20W/24W
发光角度Beam angle:	3.5°、8~60°	控制方式 Control mode:	DMX/常亮
灯具尺寸Lamp size:	Ø130mm*H172mm	外壳颜色 Shell color:	黑色/灰色
灯珠类型 Led type:	SMD3535W	灯具寿命 Lamp life:	≥50000H
外壳材料 Housing material:	压铸铝 +钢化玻璃	防护等级 Protection level:	IP66
工作温度Working temperature:	-40°C至+50°C	阻燃等级 Flame retardant grade:	94-V0
应用场景 Application:	建筑轮廓/媒体立面/景观照明	电气安全等级 Electrical safety level:	III级

产品选型

Product selection

规格型号 Product NO	光源 Light source	颜色 Color	光效 Luminance efficiency	段数 sections	工作电压 Voltage	功率 Power	控制方式 Control mode
SH-TG04-DMX-RGB	3535 RGB*9PCS	RGB	≥25lm/W	1	DC24V	24W	DMX
SH-TG04-DMX-RGBW	3535 RGBW*9PCS	RGBW	≥35lm/W	1	DC24V	24W	DMX
SH-TG04-DMX-White	3535 White*12PCS	2200K-6500K	≥65lm/W	1	DC24V	24W	DMX
SH-TG04-DMX-White	3030 White*24PCS	2200K-6500K	≥65lm/W	1	DC24V	24W	DMX
SH-TG04-SingleColor	3030 White*24PCS	2200K-6500K	≥65lm/W	/	DC24V	24W	ON-OFF
SH-TG04-SingleColor	3535 White*12PCS	2200K-6500K	≥65lm/W	/	DC24V	24W	ON-OFF



产品特点 Features

- 自主知识产权，私模外观设计，外观精美
- 专业光学设计，混光均匀，投射距离远
- 结构防水设计，防护等级达到IP67
- 高耐蚀压铸铝外壳，全钢化超白玻璃，具有优良的散热、防腐性能
- 采用恒流方案设计，使灯具显示颜色一致性高
- 支持DMX512控制系统，实现智能调光
- 户外防雷及静电专业防护设计

- Independent intellectual property rights, private design, beautiful appearance.
- Professional optical design, uniform light mixing and long projection distance.
- Waterproof design of the structure, with the protection level reaching IP67.
- High corrosion-resistant die-cast aluminum shell, fully tempered ultra-white glass, with excellent heat dissipation and corrosion resistance.
- The design of constant current scheme makes the display color consistency of lamps high.
- Support DMX512 control system to realize intelligent dimming.
- Outdoor lightning protection and electrostatic professional protection design

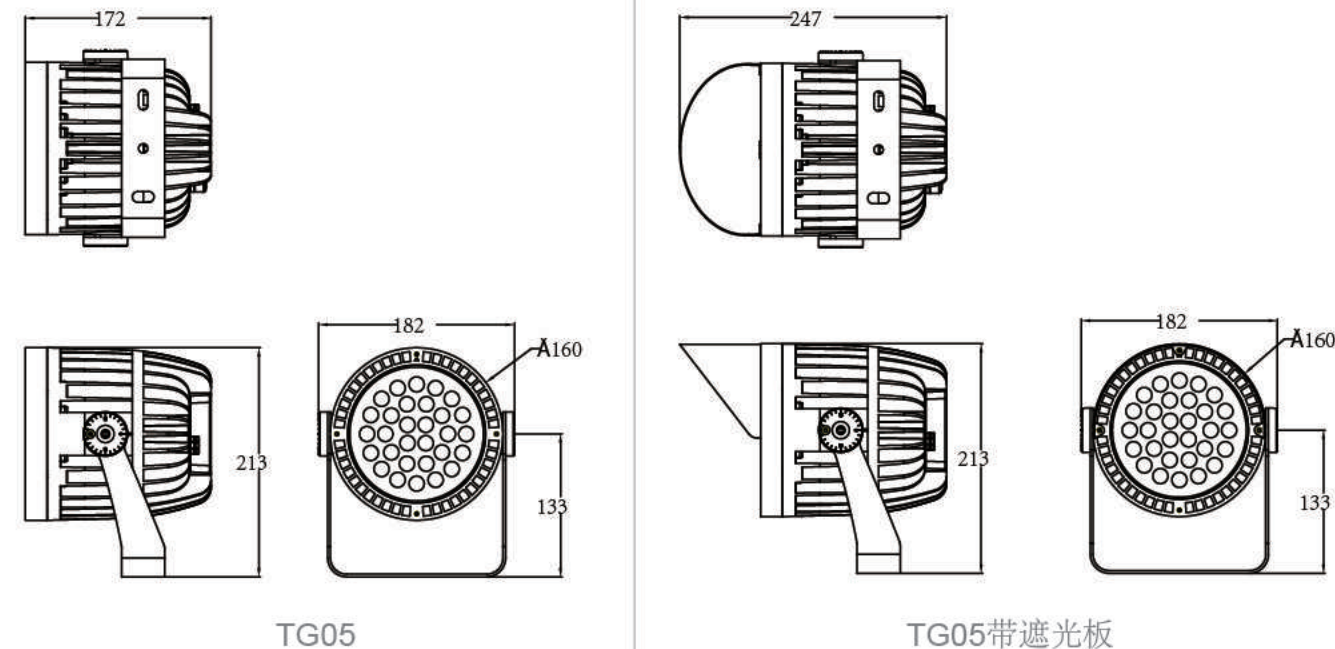
应用范围:

建筑、园林、景观、广告牌等

Application:

Architecture, gardens, landscapes, billboards, etc.

尺寸图 Size chart



技术参数

technical parameter

光源品牌Light source:	Cree	工作电压Working voltage:	DC24V
灰度等级 Gray level:	256/65536(16Bits)	额定功率Power:	30W/36W
发光角度Beam angle:	3.5°、8~60°	控制方式 Control mode:	DMX/常亮
灯具尺寸Lamp size:	∅160mm*H213mm	外壳颜色 Shell color:	黑色/灰色
灯珠类型 Led type:	SMD3535W	灯具寿命 Lamp life:	≥50000H
外壳材料 Housing material:	压铸铝 +钢化玻璃	防护等级 Protection level:	IP66
工作温度Working temperature:	-40°C至+50°C	阻燃等级 Flame retardant grade:	94-V0
应用场景 Application:	建筑轮廓/媒体立面/景观照明	电气安全等级 Electrical safety level:	III级

产品选型

Product selection

规格型号 Product NO	光源 Light source	颜色 Color	光效 Luminance efficiency	段数 sectionce	工作电压 Voltage	功率 Power	控制方式 Control mode
SH-TG05-DMX-RGB	3535 RG*18PCS	RGB	≥25lm/W	/	DC24V	36W	DMX
SH-TG05-DMX-RGBW	3535 RGBW*18PCS	RGBW	≥35lm/W	/	DC24V	36W	DMX
SH-TG05-DMX-White	3535 White*18PCS	2200K-6500K	≥65lm/W	/	DC24V	36W	DMX
SH-TG05-DMX-White	3030 White*36PCS	2200K-6500K	≥65lm/W	/	DC24V	36W	DMX
SH-TG05-SingleColor	3030 White*36PCS	2200K-6500K	≥65lm/W	/	AC220V/DC24V	36W	ON-OFF
SH-TG05-SingleColor	3535 White*18PCS	2200K-6500K	≥65lm/W	/	AC220V/DC24V	36W	ON-OFF



产品特点 Features

- 自主知识产权，私模外观设计，外观精美
- 专业光学设计，混光均匀，投射距离远
- 结构防水设计，防护等级达到IP67
- 高耐蚀压铸铝外壳，全钢化超白玻璃，具有优良的散热、防腐性能
- 采用恒流方案设计，使灯具显示颜色一致性高
- 支持DMX512控制系统，实现智能调光
- 户外防雷及静电专业防护设计

- Independent intellectual property rights, private design, beautiful appearance.
- Professional optical design, uniform light mixing and long projection distance.
- Waterproof design of the structure, with the protection level reaching IP67.
- High corrosion-resistant die-cast aluminum shell, fully tempered ultra-white glass, with excellent heat dissipation and corrosion resistance.
- The design of constant current scheme makes the display color consistency of lamps high.
- Support DMX512 control system to realize intelligent dimming.
- Outdoor lightning protection and electrostatic professional protection design

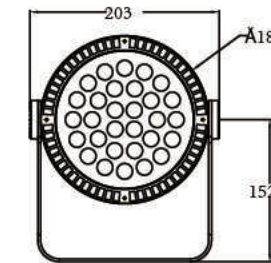
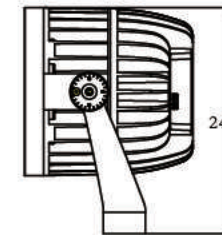
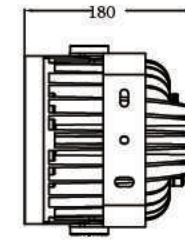
应用范围:

建筑、园林、景观、广告牌等

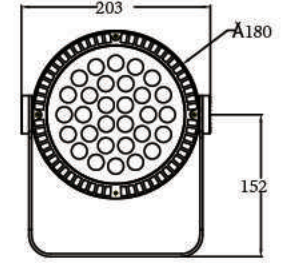
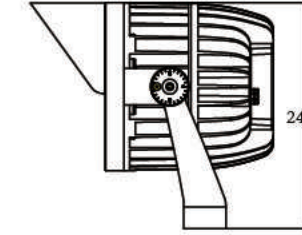
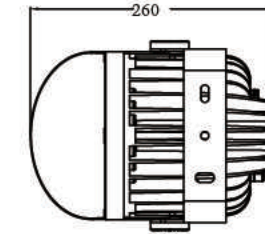
Application:

Architecture, gardens, landscapes, billboards, etc.

尺寸图 Size chart



TG06



TG06带遮光板

技术参数

technical parameter

光源品牌 Light source:	Cree	工作电压 Working voltage:	DC24V
灰度等级 Gray level:	256/65536(16Bits)	额定功率 Power:	40W/54W/60W
发光角度 Beam angle:	3.5°、8~60°	控制方式 Control mode:	DMX/常亮
灯具尺寸 Lamp size:	Ø180mm*H242mm	外壳颜色 Shell color:	黑色/灰色
灯珠类型 Led type:	SMD3535W	灯具寿命 Lamp life:	≥50000H
外壳材料 Housing material:	压铸铝 +钢化玻璃	防护等级 Protection level:	IP66
工作温度 Working temperature:	-40°C至+50°C	阻燃等级 Flame retardant grade:	94-V0
应用场景 Application:	建筑轮廓/媒体立面/景观照明	电气安全等级 Electrical safety level:	III级

产品选型

Product selection

规格型号 Product NO	光源 Light source	颜色 Color	光效 Luminance efficiency	段数 sectionce	工作电压 Voltage	功率 Power	控制方式 Control mode
SH-TG06-DMX-RGB	3535 RGB*24PCS	RGB	≥25lm/W	1	DC24V	54W	DMX
SH-TG06-DMX-RGBW	3535 RGBW*24PCS	RGBW	≥35lm/W	1	DC24V	60W	DMX
SH-TG06-DMX-White	3535 White*24PCS	2200K-6500K	≥65lm/W	1	DC24V	54W	DMX
SH-TG06-DMX-White	3030 White*54PCS	2200K-6500K	≥65lm/W	1	DC24V	54W	DMX
SH-TG06-SingleColor	3535 White*24PCS	2200K-6500K	≥65lm/W	/	AC220V/DC24V	54W	ON-OFF
SH-TG06-SingleColor	3030 White*54PCS	2200K-6500K	≥65lm/W	/	AC220V/DC24V	54W	ON-OFF



产品特点 Features

- 自主知识产权，私模外观设计，外观精美
- 专业光学设计，混光均匀，投射距离远
- 结构防水设计，防护等级达到IP67
- 高耐蚀压铸铝外壳，全钢化超白玻璃，具有优良的散热、防腐性能
- 采用恒流方案设计，使灯具显示颜色一致性高
- 支持DMX512控制系统，实现智能调光
- 户外防雷及静电专业防护设计

- Independent intellectual property rights, private design, beautiful appearance.
- Professional optical design, uniform light mixing and long projection distance.
- Waterproof design of the structure, with the protection level reaching IP67.
- High corrosion-resistant die-cast aluminum shell, fully tempered ultra-white glass, with excellent heat dissipation and corrosion resistance.
- The design of constant current scheme makes the display color consistency of lamps high.
- Support DMX512 control system to realize intelligent dimming.
- Outdoor lightning protection and electrostatic professional protection design

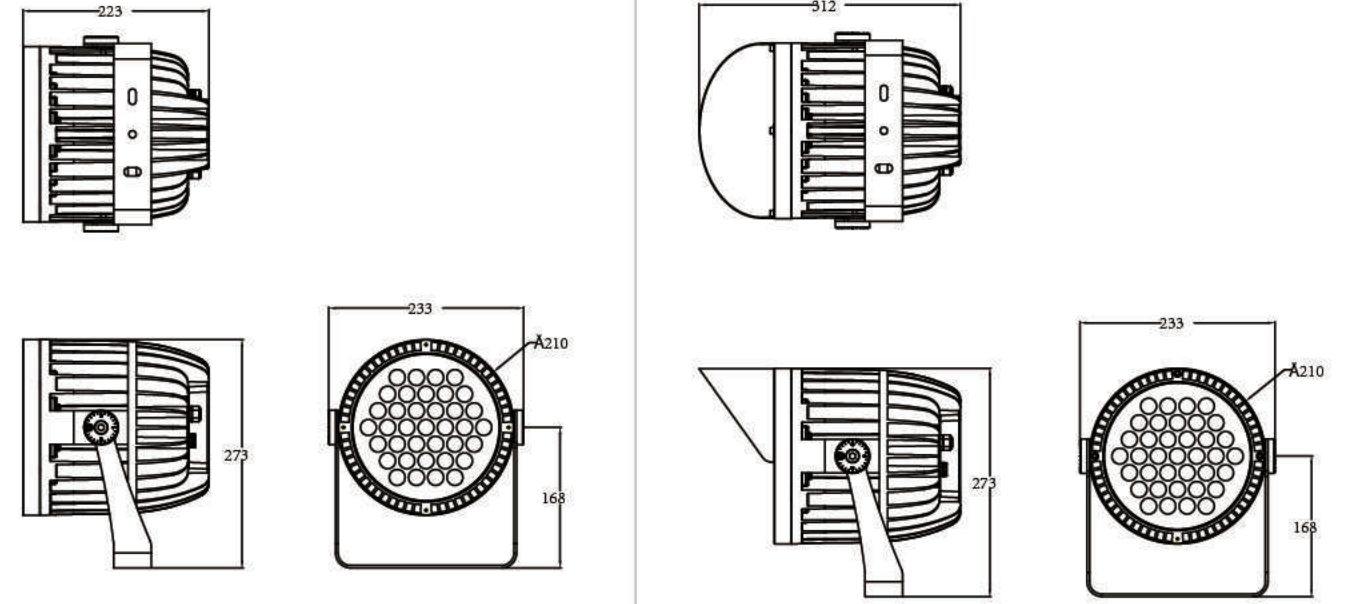
应用范围:

建筑、园林、景观、广告牌等

Application:

Architecture, gardens, landscapes, billboards, etc.

尺寸图 Size chart



TG07

TG07带遮光板

技术参数

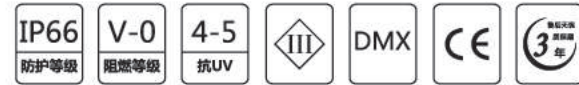
technical parameter

光源品牌Light source:	Cree	工作电压Working voltage:	DC24V/AC220V
灰度等级 Gray level:	256/65536(16Bits)	额定功率Power:	64W/72W
发光角度Beam angle:	3.5°、8~60°	控制方式 Control mode:	DMX/常亮
灯具尺寸Lamp size:	Ø210mm*H273mm	外壳颜色 Shell color:	黑色/灰色
灯珠类型 Led type:	SMD3535W	灯具寿命Lamp life:	≥50000H
外壳材料 Housing material:	压铸铝 +钢化玻璃	防护等级 Protection level:	IP66
工作温度Working temperature:	-40°C至+50°C	阻燃等级Flame retardant grade:	94-V0
应用场景 Application:	建筑轮廓/媒体立面/景观照明	电气安全等级 Electrical safety level:	III级

产品选型

Product selection

规格型号 Product NO	光源 Light source	颜色 Color	光效 Luminance efficiency	段数 sectionce	工作电压 Voltage	功率 Power	控制方式 Control mode
SH-TG07-DMX-RGB	3535 RGB*36PCS	RGB	≥25lm/W	1	DC24V	72W	DMX
SH-TG07-DMX-RGBW	3535 RGBW*36PCS	RGBW	≥35lm/W	1	DC24V	72W	DMX
SH-TG07-DMX-White	3535 White*36PCS	2200K-6500K	≥65lm/W	1	DC24V	72W	DMX
SH-TG07-DMX-White	3030 White*72PCS	2200K-6500K	≥65lm/W	1	DC24V	72W	DMX
SH-TG07-DMX-White	3535 White*36PCS	2200K-6500K	≥65lm/W	1	DC24V	72W	DMX
SH-TG07-SingleColor	3030 White*72PCS	2200K-6500K	≥65lm/W	/	AC220V/DC24V	72W	ON-OFF
SH-TG07-SingleColor	3535 White*36PCS	2200K-6500K	≥65lm/W	/	AC220V/DC24V	72W	ON-OFF



产品特点 Features

- 自主知识产权，私模外观设计，外观精美
- 专业光学设计，混光均匀，投射距离远
- 结构防水设计，防护等级达到IP67
- 高耐蚀压铸铝外壳，全钢化超白玻璃，具有优良的散热、防腐性能
- 采用恒流方案设计，使灯具显示颜色一致性高
- 支持DMX512控制系统，实现智能调光
- 户外防雷及静电专业防护设计

- Independent intellectual property rights, private design, beautiful appearance.
- Professional optical design, uniform light mixing and long projection distance.
- Waterproof design of the structure, with the protection level reaching IP67.
- High corrosion-resistant die-cast aluminum shell, fully tempered ultra-white glass, with excellent heat dissipation and corrosion resistance.
- The design of constant current scheme makes the display color consistency of lamps high.
- Support DMX512 control system to realize intelligent dimming.
- Outdoor lightning protection and electrostatic professional protection design

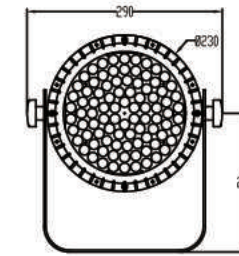
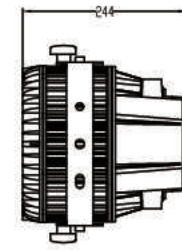
应用范围:

建筑、园林、景观、广告牌等

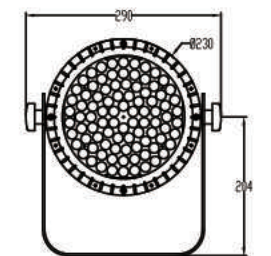
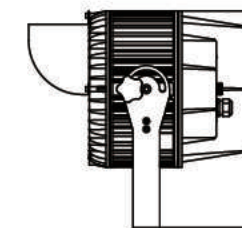
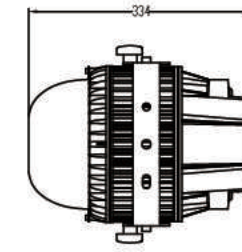
Application:

Architecture, gardens, landscapes, billboards, etc.

尺寸图 Size chart



TG08



TG08带遮光板

技术参数

technical parameter

光源品牌 Light source:	Cree	工作电压 Working voltage:	DC24V/AC220V
灰度等级 Gray level:	256/65536(16Bits)	额定功率 Power:	80W/90W/120W
发光角度 Beam angle:	3.5°、8~60°	控制方式 Control mode:	DMX/常亮
灯具尺寸 Lamp size:	Ø230mm*H319mm	外壳颜色 Shell color:	黑色/灰色
灯珠类型 Led type:	SMD3535W	灯具寿命 Lamp life:	≥50000H
外壳材料 Housing material:	压铸铝+钢化玻璃	防护等级 Protection level:	IP66
工作温度 Working temperature:	-40°C至+50°C	阻燃等级 Flame retardant grade:	94-V0
应用场景 Application:	建筑轮廓/媒体立面/景观照明	电气安全等级 Electrical safety level:	III级

产品选型

Product selection

规格型号 Product NO	光源 Light source	颜色 Color	光效 Luminance efficiency	段数 sectionce	工作电压 Voltage	功率 Power	控制方式 Control mode
SH-TG08-DMX-RGB	3535 RGB*48PCS	RGB	≥25lm/W	1	AC220V	120W	DMX
SH-TG08-DMX-RGBW	3535 RGBW*48PCS	RGBW	≥35lm/W	1	AC220V	150W	DMX
SH-TG08-DMX-White	3535 White*48PCS	2200K-6500K	≥65lm/W	1	AC220V	120W	DMX
SH-TG08-SingleColor	3535 White*48PCS	2200K-6500K	≥65lm/W	/	AC220V	120W	ON-OFF



产品特点 Features

- 自主知识产权，私模外观设计，外观精美
- 专业光学设计，混光均匀，投射距离远
- 结构防水设计，防护等级达到IP67
- 高耐蚀压铸铝外壳，全钢化超白玻璃，具有优良的散热、防腐性能
- 采用恒流方案设计，使灯具显示颜色一致性高
- 支持DMX512控制系统，实现智能调光
- 户外防雷及静电专业防护设计

- Independent intellectual property rights, private design, beautiful appearance.
- Professional optical design, uniform light mixing and long projection distance.
- Waterproof design of the structure, with the protection level reaching IP67.
- High corrosion-resistant die-cast aluminum shell, fully tempered ultra-white glass, with excellent heat dissipation and corrosion resistance.
- The design of constant current scheme makes the display color consistency of lamps high.
- Support DMX512 control system to realize intelligent dimming.
- Outdoor lightning protection and electrostatic professional protection design

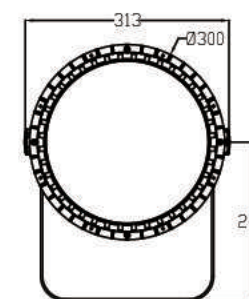
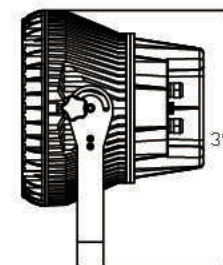
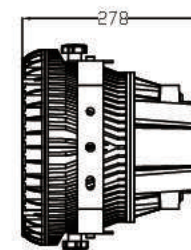
应用范围:

建筑、园林、景观、广告牌等

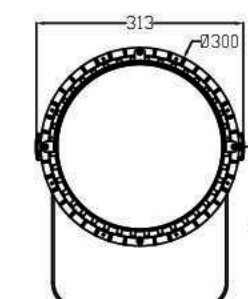
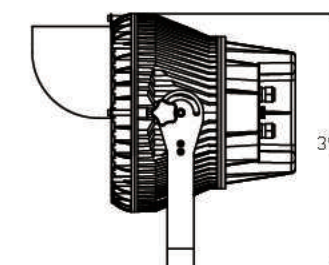
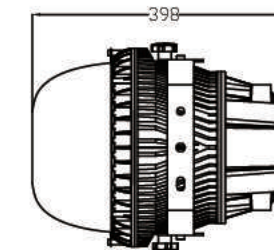
Application:

Architecture, gardens, landscapes, billboards, etc.

尺寸图 Size chart



TG09



TG09带遮光板

技术参数

technical parameter

光源品牌 Light source:	Cree	工作电压 Working voltage:	DC24V/AC220V
灰度等级 Gray level:	256/65536(16Bits)	额定功率 Power:	150W/180W
发光角度 Beam angle:	3.5°、8-60°	控制方式 Control mode:	DMX/常亮
灯具尺寸 Lamp size:	Ø300mm*H394mm	外壳颜色 Shell color:	黑色/灰色
灯珠类型 Led type:	SMD3535W	灯具寿命 Lamp life:	≥50000H
外壳材料 Housing material:	压铸铝+钢化玻璃	防护等级 Protection level:	IP66
工作温度 Working temperature:	-40°C至+50°C	阻燃等级 Flame retardant grade:	94-V0
应用场景 Application:	建筑轮廓/媒体立面/景观照明	电气安全等级 Electrical safety level:	III级

产品选型

Product selection

规格型号 Product NO	光源 Light source	颜色 Color	光效 Luminance efficiency	段数 sectionce	工作电压 Voltage	功率 Power	控制方式 Control mode
SH-TG09-DMX-RGB	3535 RGB *72PCS	RGB	≥25lm/W	1	AC220V	150W	DMX
SH-TG09-DMX-RGBW	3535 RGBW*60PCS	RGBW	≥35lm/W	1	AC220V	180W	DMX
SH-TG09-SingleColor	3535 White*72PCS	2200K-6500K	≥65lm/W	1	AC220V	150W	DMX
SH-TG09-SingleColor	3535 White*72PCS	2200K-6500K	≥65lm/W	/	AC220V	150W	ON-OFF

LED线条灯-XT系列 LED Linear Light-XT Series

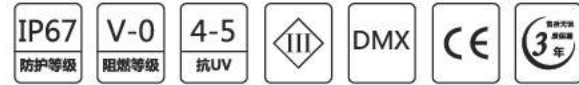
LED线条灯-XT系列



CONTENTS

内容

SH-XT07 线条灯	P101-P102	SH-XT12 线条灯	P109-P110	SH-XT17 线条灯	P117-P118
SH-XT08 线条灯	P103-P104	SH-XT13 线条灯	P111-P112		
SH-XT09 线条灯	P105-P106	SH-XT14 线条灯	P113-P114		
SH-XT10 线条灯	P107-P108	SH-XT15 线条灯	P115-P116		



产品特点 Features

- 光源采用高效LED, 具有高流明, 发热小, 色彩纯正, 无污染等特性;
- 专业防雷设计, 采用针对感应防雷击以及静电 (ESD) 的专用防护器件;
- 采用宽电压设计, DC24V~DC48V电压输入, 解决高楼供电不足, 压降引起色彩偏差等问题;
- 内部恒流设计以及内置最新DMX512控制模块, 符合国际标准DMX512控制协议, 可兼容国际各种DMX512控制系统
- Adopts high-efficiency LED, which has the characteristics of high lumen, low heat generation, pure color, and no pollution;
- Professional lightning protection design, using special protection devices for inductive lightning protection and electrostatic discharge (ESD);
- Adopt wide voltage design and DC24V ~ DC48V voltage input to solve the problems of insufficient power supply of high buildings and color deviation caused by voltage drop;
- Internal constant current design and built-in latest DMX512 control module, in line with international standard DMX512 control protocol, compatible with various international DMX512 control systems

应用范围:

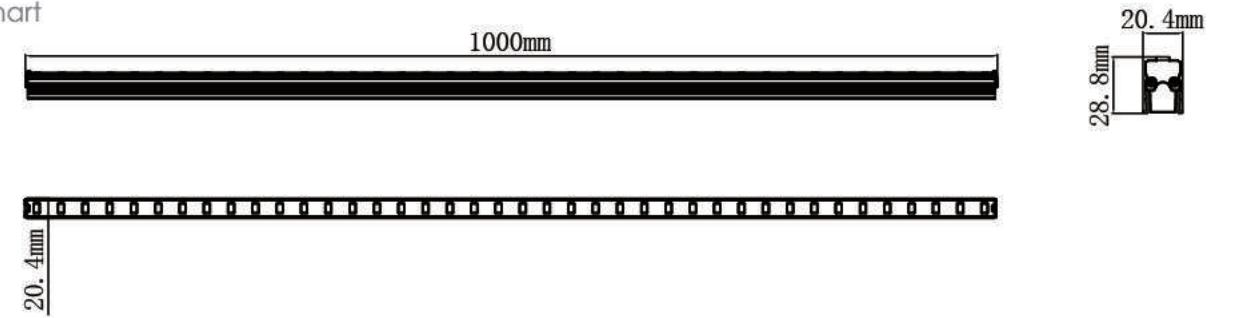
楼体轮廓, 楼面亮化, 大型商场外墙

Application:

building outline decoration, huge outdoor led advertisement signs,

尺寸图

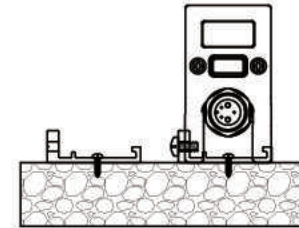
Size chart



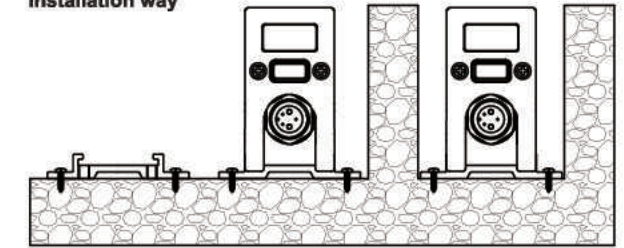
应用安装示意图

Application installation schematic diagram

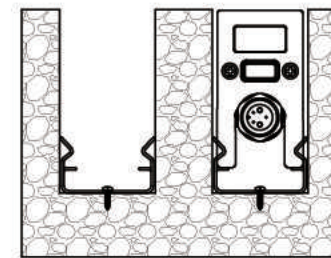
安装方式一
Installation way



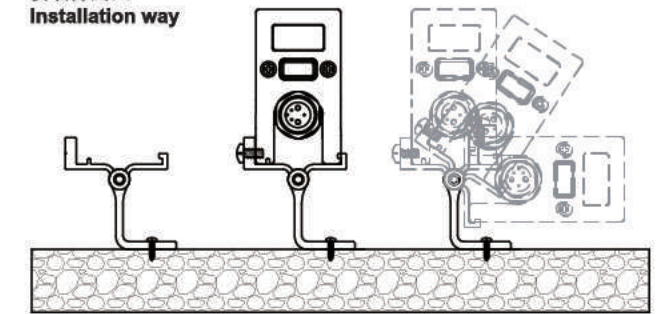
安装方式二
Installation way



安装方式三
Installation way



安装方式四
Installation way



技术参数

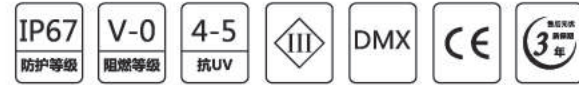
technical parameter

光源品牌 light source:	Epistar/Cree/Osram	工作电压 Working voltage:	DC24V/DC48V
灰度等级 Gray level:	256/65536	额定功率 Power:	12W/21W
发光角度 Beam angle:	> 100°	控制方式 Control mode:	DMX/常亮
灯具尺寸 Lamp size:	20.4*28.8*1000MM	外壳颜色 Shell color:	银色(可定制)
灯珠类型 Led type:	3535RGB/2835White/R/G/B/Y	灯具寿命 Lamp life:	> 50000H
外壳材料 Housing material:	AL6063	防护等级 Protection level:	IP67
工作温度 Working temperature:	-20℃至60℃	阻燃等级 Flame retardant grade:	94-V0
应用场景 Application:	建筑轮廓/媒体立面/景观照明	电气安全等级 Electrical safety level:	III级

产品选型

Product selection

规格型号 Specification	光源 light source	颜色 Color	段数 sectionce	光效 Luminance efficiency	工作电压 Voltage	功率 Wattage	控制方式 Control mode
SH-XT07-DMX-RGB	3535RGB*48 PCS	RGB	8	≥25lm/W	DC24V	12W	DMX
SH-XT07-DMX-RGB	5050RGBW*48PCS	RGB	8	≥35lm/W	DC24V	15W	DMX
SH-XT07-DMX-White	2835 White*48 pcs	2200-6500K	8	≥60lm/W	DC24V	12W	DMX
SH-XI07-SingleColor	2835 White*48 pcs	2200-6500K		≥60lm/W	DC24V	12W	ON-OFF



产品特点 Features

- 光源采用高效LED, 具有高流明, 发热小, 色彩纯正, 无污染等特性;
- 专业防雷设计, 采用针对感应防雷击以及静电 (ESD) 的专用防护器件;
- 采用宽电压设计, DC24V~DC48V电压输入, 解决高楼供电不足, 压降引起色彩偏差等问题;
- 内部恒流设计以及内置最新DMX512控制模块, 符合国际标准DMX512控制协议, 可兼容国际各种DMX512控制系统
- Adopts high-efficiency LED, which has the characteristics of high lumen, low heat generation, pure color, and no pollution;
- Professional lightning protection design, using special protection devices for inductive lightning protection and electrostatic discharge (ESD);
- Adopt wide voltage design and DC24V ~ DC48V voltage input to solve the problems of insufficient power supply of high buildings and color deviation caused by voltage drop;
- Internal constant current design and built-in latest DMX512 control module, in line with international standard DMX512 control protocol, compatible with various international DMX512 control systems

应用范围:

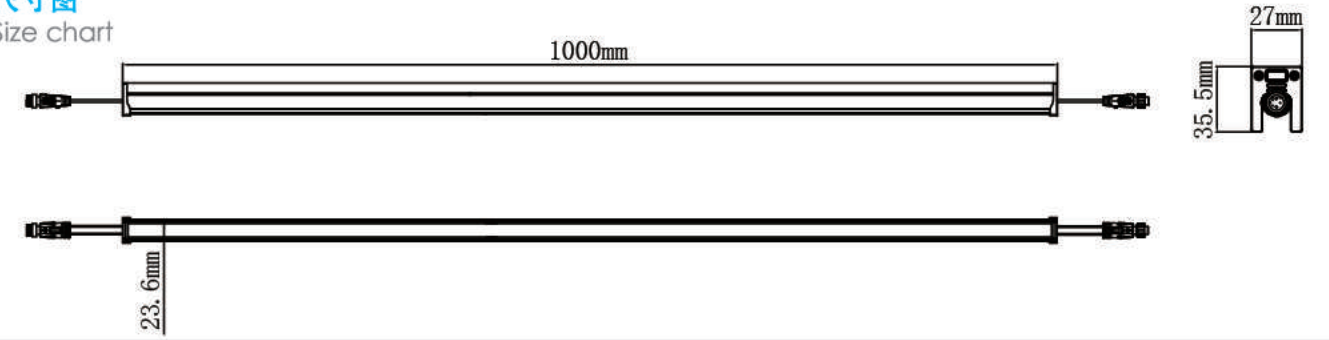
楼体轮廓, 楼面亮化, 大型商场外墙

Application:

building outline decoration, huge outdoor led advertisement signs,

尺寸图

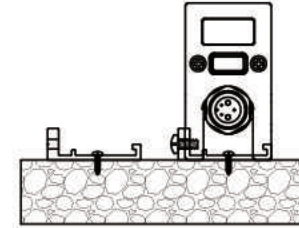
Size chart



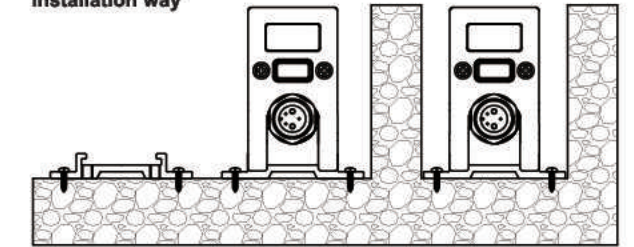
应用安装示意图

Application installation schematic diagram

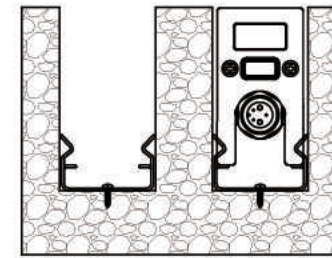
安装方式一
Installation way



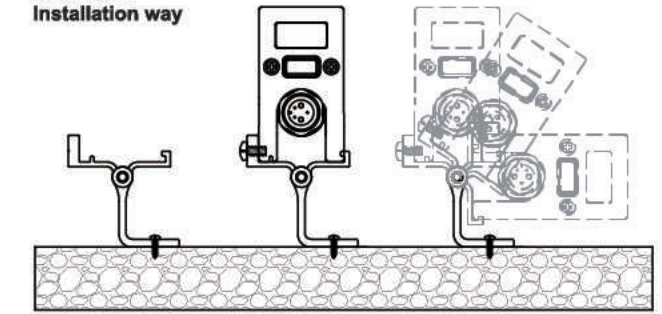
安装方式二
Installation way



安装方式三
Installation way



安装方式四
Installation way



技术参数

technical parameter

光源品牌 light source:	Epistar/Cree/Osram	工作电压 Working voltage:	DC24V
灰度等级 Gray level:	256/65536	额定功率 Power:	10W/12W/15W
发光角度 Beam angle:	> 100°	控制方式 Control mode:	DMX/常亮
灯具尺寸 Lamp size:	27*35.5*1000MM	外壳颜色 Shell color:	银色 (可定制)
灯珠类型 Led type:	3535RGB/2835White/R/G/B/Y	灯具寿命 Lamp life:	> 50000H
外壳材料 Housing material:	AL6063 + 钢化玻璃	防护等级 Protection level:	IP67
工作温度 Working temperature:	-20℃至60℃	阻燃等级 Flame retardant grade:	94-V0
应用场景 Application:	建筑轮廓/媒体立面/景观照明	电气安全等级 Electrical safety level:	III级

产品选型

Product selection

规格型号 Specification	光源 light source	颜色 Color	段数 sectionce	光效 Luminance efficiency	工作电压 Voltage	功率 Wattage	控制方式 Control mode
SH-XT08-DMX-RGB	3535RGB*48 PCS	RGB	8	≥25lm/W	DC24V	12W	DMX
SH-XT08-DMX-RGBW	5050 RGBW *48PCS	RGBW	8	≥35lm/W	DC24V	15W	DMX
SH-XT08-DMX-White	2835 White*48 pcs	2200K-6500K	8	≥60lm/W	DC24V	12W	DMX
SH-XI08-SingleColor	2835 White*48 pcs	2200K-6500K		≥60lm/W	DC24V	12W	ON-OFF



产品特点 Features

- 光源采用高效LED,具有高流明,发热小,色彩纯正,无污染等特性;
- 专业防雷设计,采用针对感应防雷击以及静电(ESD)的专用防护器件;
- 采用广角透镜设计,最大角度可达140°;
- 内部恒流设计以及内置最新DMX512控制模块,符合国际标准DMX512控制协议,可兼容国际各种DMX512控制系统。
- The light source adopts high-efficiency LED, which has the characteristics of high lumen, low heat generation, pure color, and pollution-free;
- Professional lightning protection design, using special protection devices for induction lightning protection and static electricity (ESD);
- Using wide-angle lens design, the maximum angle can reach 140°;
- The internal constant current design and the built-in latest DMX512 control module conform to the international standard DMX512 control protocol and can be compatible with various international DMX512 control systems.

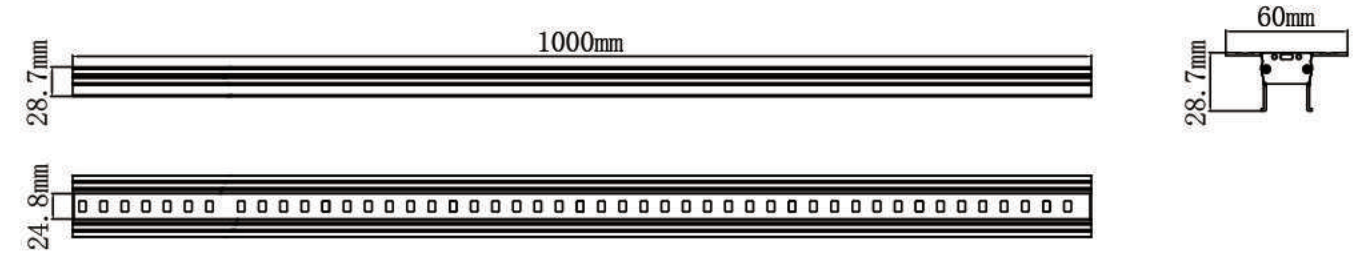
应用范围:

楼体轮廓, 楼面亮化, 大型商场外墙

Application:

building outline decoration, huge outdoor led advertisement signs,

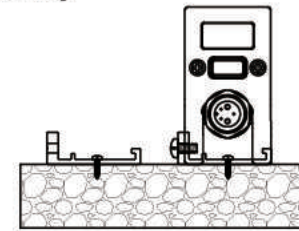
尺寸图 Size chart



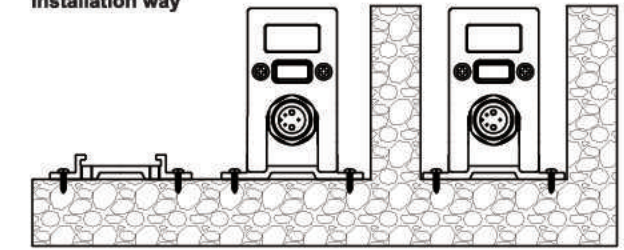
应用安装示意图

Application installation schematic diagram

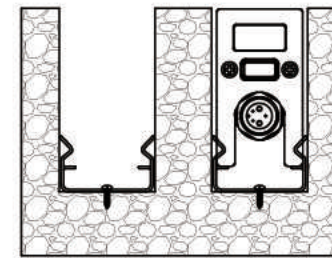
安装方式一
Installation way



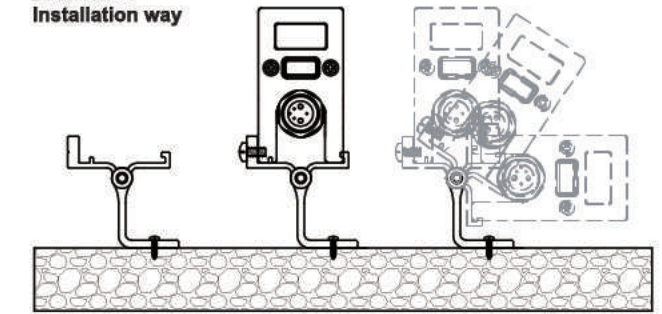
安装方式二
Installation way



安装方式三
Installation way



安装方式四
Installation way



技术参数

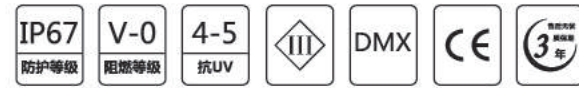
technical parameter

光源品牌 light source:	Epistar/Cree/Osram	工作电压 Working voltage:	DC12V/DC24V
灰度等级 Gray level:	256/65536	额定功率 Power:	10W/12W
发光角度 Beam angle:	> 100°	控制方式 Control mode:	DMX/常亮
灯具尺寸 Lamp size:	24.8*26.7*1000MM	外壳颜色 Shell color:	银色 (可定制)
灯珠类型 Led type:	3535RGB/2835White/R/G/B/Y	灯具寿命 Lamp life:	> 50000H
外壳材料 Housing material:	AL6063	防护等级 Protection level:	IP67
工作温度 Working temperature:	-20℃至60℃	阻燃等级 Flame retardant grade:	94-V0
应用场景 Application:	建筑轮廓/媒体立面/景观照明	电气安全等级 Electrical safety level:	III级

产品选型

Product selection

规格型号 Specification	光源 light source	颜色 Color	段数 sectionce	光效 Luminance efficiency	工作电压 Voltage	功率 Wattage	控制方式 Control mode
SH-XT09-DMX-RGB	3535RGB*48 PCS	RGB	8	≥25lm/W	DC24V	12W	DMX
SH-XT09-DMX-RGBW	3535RGB*24 PCS+ 2835 White*24 pcs	RGB+W (2200K-6500K)	8	≥30lm/W	DC24V	10W	DMX
SH-XT09-DMX-White	2835 White*48 pcs	2200K-6500K	8	≥60lm/W	DC24V	12W	DMX
SH-XI09-SingleColor	2835 White*48 pcs	2200K-6500K		≥60lm/W	DC24V	12W	ON-OFF



产品特点 Features

- 光源采用高效LED，具有高流明，发热小，色彩纯正，无污染等特性；
- 专业防雷设计，采用针对感应防雷击以及静电（ESD）的专用防护器件；
- 采用宽电压设计，DC24V~DC48V电压输入，解决高楼供电不足，压降引起色彩偏差等问题；
- 内部恒流设计以及内置最新DMX512控制模块，符合国际标准DMX512控制协议，可兼容国际各种DMX512控制系统
- Adopts high-efficiency LED, which has the characteristics of high lumen, low heat generation, pure color, and no pollution;
- Professional lightning protection design, using special protection devices for inductive lightning protection and electrostatic discharge (ESD);
- Adopt wide voltage design and DC24V ~ DC48V voltage input to solve the problems of insufficient power supply of high buildings and color deviation caused by voltage drop;
- Internal constant current design and built-in latest DMX512 control module, in line with international standard DMX512 control protocol, compatible with various international DMX512 control systems

应用范围:

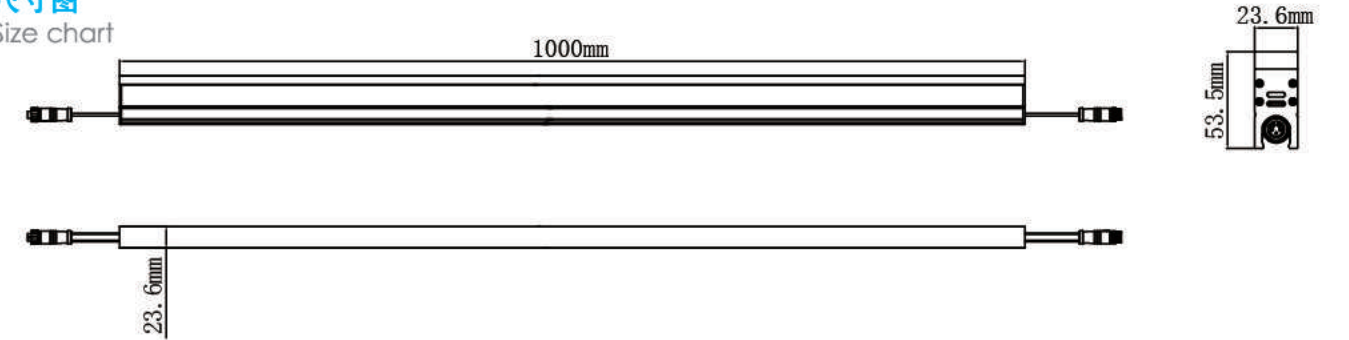
楼体轮廓，楼面亮化，大型商场外墙

Application:

building outline decoration, huge outdoor led advertisement signs,

尺寸图

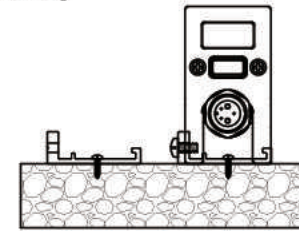
Size chart



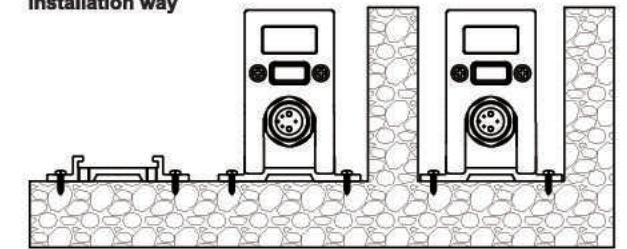
应用安装示意图

Application installation schematic diagram

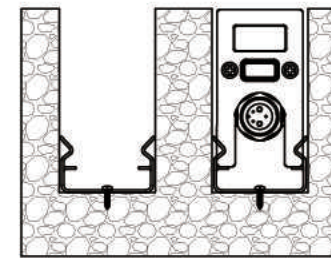
安装方式一
Installation way



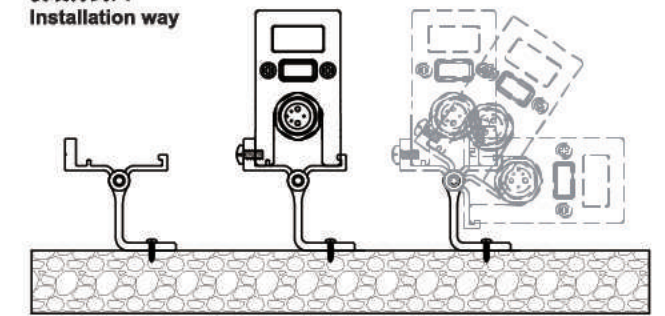
安装方式二
Installation way



安装方式三
Installation way



安装方式四
Installation way



技术参数

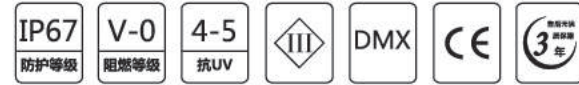
technical parameter

光源品牌 light source:	Epistar/Cree/Osram	工作电压 Working voltage:	DC24V
灰度等级 Gray level:	256/65536	额定功率 Power:	12W/15W
发光角度 Beam angle:	> 100°	控制方式 Control mode:	DMX/ON-OFF
灯具尺寸 Lamp size:	23.6*53.5*1000MM	外壳颜色 Shell color:	银色 (可定制)
灯珠类型 Led type:	3535RGB/2835White/R/G/B/Y	灯具寿命 Lamp life:	> 50000H
外壳材料 Housing material:	AL6063+PMMA	防护等级 Protection level:	IP67
工作温度 Working temperature:	-20℃至60℃	阻燃等级 Flame retardant grade:	94-V0
应用场景 Application:	建筑轮廓/媒体立面/景观照明	电气安全等级 Electrical safety level:	III级

产品选型

Product selection

规格型号 Specification	光源 light source	颜色 Color	段数 section	光效 Luminance efficiency	工作电压 Voltage	功率 Wattage	控制方式 Control mode
SH-XT10-DMX-RGB	5050 RGB *48PCS	RGB	8	≥25lm/W	DC24V	12W	DMX
SH-XT10-DMX-RGBW	5050 RGBW *48PCS	RGBW	8	≥30lm/W	DC24V	15W	DMX
SH-XT10-DMX-White	2835 White*48 pcs	2200K-6500K	8	≥60lm/W	DC24V	12W	DMX
SH-X110-SingleColor	2835 White*48 pcs	2200K-6500K	1	≥60lm/W	DC24V	12W	ON-OFF



产品特点 Features

- 光源采用高效LED，具有高流明，发热小，色彩纯正，无污染等特性；
- 发光角度180°灯罩设计，拥有超宽角度，实现各角度效果一致性；
- 专业防雷设计，采用针对感应防雷击以及静电（ESD）的专用防护器件；
- 采用宽电压设计，DC24V~DC48V电压输入，解决高楼供电不足，压降引起色彩偏差等问题；
- 内部恒流设计以及内置最新DMX512控制模块，符合国际标准DMX512控制协议，可兼容国际各种DMX512控制系统。
- Adopts high-efficiency LED, which has the characteristics of high lumen, low heat generation, pure color, and no pollution;
- Adopt 180° beam angle, with ultra-wide angle, to achieve consistent effect at all angles;
- Professional lightning protection design, using special protection devices for inductive lightning protection and electrostatic discharge (ESD);
- Adopt wide voltage design and DC24V ~ DC48V voltage input to solve the problems of insufficient power supply of high buildings and color deviation caused by voltage drop;
- Internal constant current design and built-in latest DMX512 control module, in line with international standard DMX512 control protocol, compatible with various international DMX512 control systems.

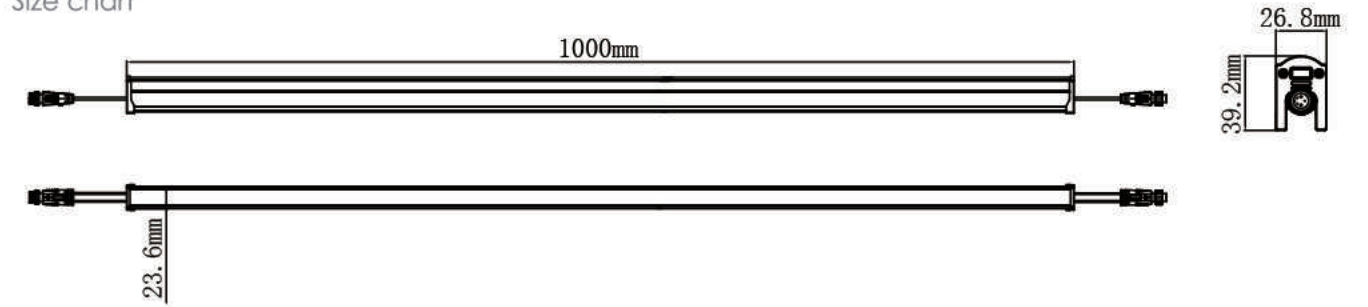
应用范围:

楼体轮廓，楼面亮化，大型商场外墙

Application:

building outline decoration, huge outdoor led advertisement signs,

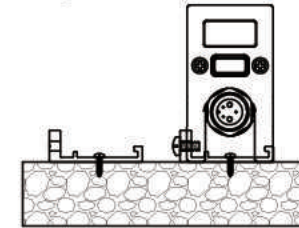
尺寸图 Size chart



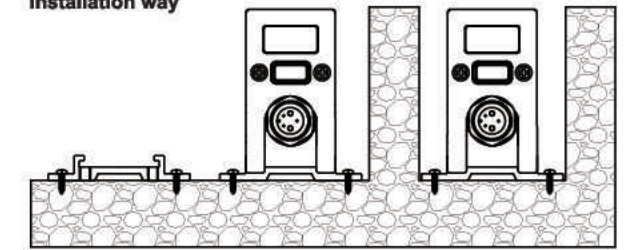
应用安装示意图

Application installation schematic diagram

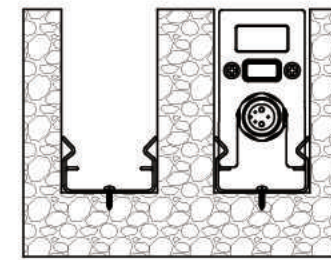
安装方式一 Installation way



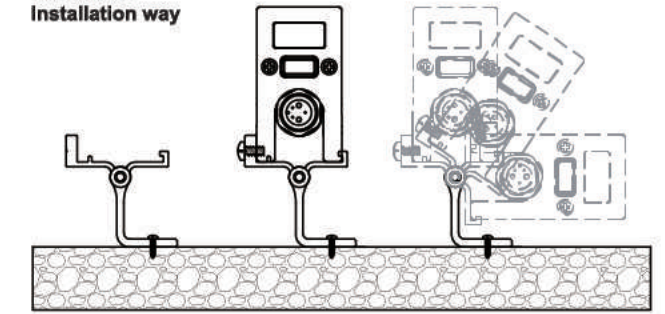
安装方式二 Installation way



安装方式三 Installation way



安装方式四 Installation way



技术参数

technical parameter

光源品牌 light source:	Epistar/Cree/Osram	工作电压 Working voltage:	DC24V
灰度等级 Gray level:	256/65536	额定功率 Power:	12W/15W
发光角度 Beam angle:	> 100°	控制方式 Control mode:	DMX/常亮
灯具尺寸 Lamp size:	26.8*39.2*1000MM	外壳颜色 Shell color:	银色 (可定制)
灯珠类型 Led type:	3535RGB/2835White/R/G/B/Y	灯具寿命 Lamp life:	> 50000H
外壳材料 Housing material:	AL6063+PC	防护等级 Protection level:	IP67
工作温度 Working temperature:	-20℃至60℃	阻燃等级 Flame retardant grade:	94-V0
应用场景 Application:	建筑轮廓/媒体立面/景观照明	电气安全等级 Electrical safety level:	III级

产品选型

Product selection

规格型号 Specification	光源 light source	颜色 Color	段数 section	光效 Luminance efficiency	工作电压 Voltage	功率 Wattage	控制方式 Control mode
SH-XT12-DMX-RGB	5050 RGB *48PCS	RGB	8	≥25lm/W	DC24V	12W	DMX
SH-XT12-DMX-RGBW	5050 RGBW *48PCS	RGBW	8	≥30lm/W	DC24V	15W	DMX
SH-XT12-DMX-White	2835 White*48 pcs	2200K-6500K	8	≥60lm/W	DC24V	12W	DMX
SH-XT12-DMX-WW	5050 WW *48PCS	2200K-6500K	8	≥60lm/W	DC24V	12W	DMX
SH-XI12-SingleColor	2835 White*48 pcs	2200K-6500K		≥60lm/W	DC24V	12W	ON-OFF



产品特点 Features

- 光源采用高效LED, 具有高流明, 发热小, 色彩纯正, 无污染等特性;
- 专业防雷设计, 采用针对感应防雷击以及静电 (ESD) 的专用防护器件;
- 采用宽电压设计, DC24V~DC48V电压输入, 解决高楼供电不足, 压降引起色彩偏差等问题;
- 内部恒流设计以及内置最新DMX512控制模块, 符合国际标准DMX512控制协议, 可兼容国际各种DMX512控制系统
- Adopts high-efficiency LED, which has the characteristics of high lumen, low heat generation, pure color, and no pollution;
- Professional lightning protection design, using special protection devices for inductive lightning protection and electrostatic discharge (ESD);
- Adopt wide voltage design and DC24V ~ DC48V voltage input to solve the problems of insufficient power supply of high buildings and color deviation caused by voltage drop;
- Internal constant current design and built-in latest DMX512 control module, in line with international standard DMX512 control protocol, compatible with various international DMX512 control systems

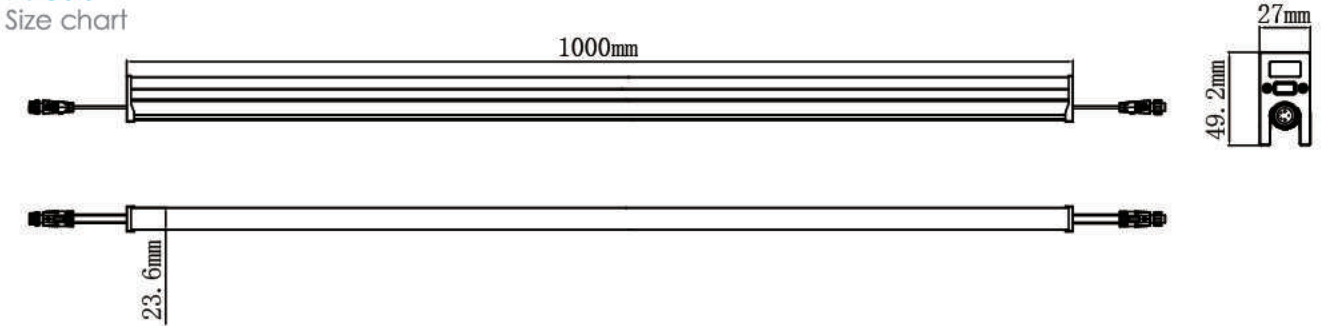
应用范围:

楼体轮廓, 楼面亮化, 大型商场外墙、KTV娱乐会所及酒店的炫彩屏等。

Application:

building outline decoration, huge outdoor led advertisement signs, led pixel display for KTV amusement clubs and hotels etc.

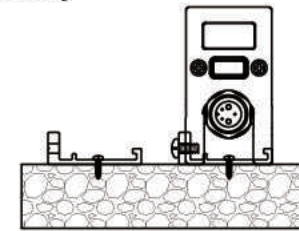
尺寸图 Size chart



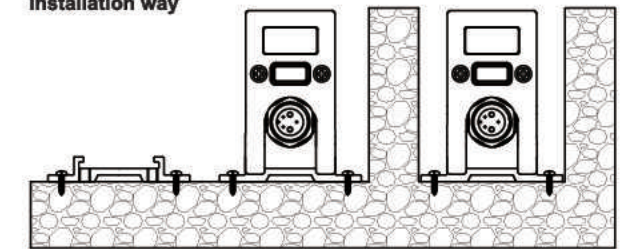
应用安装示意图

Application installation schematic diagram

安装方式一 Installation way



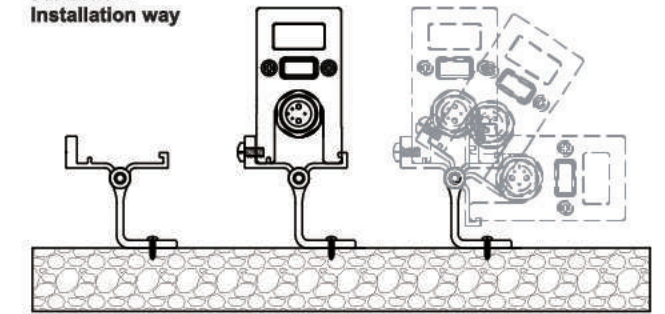
安装方式二 Installation way



安装方式三 Installation way



安装方式四 Installation way



技术参数

technical parameter

光源品牌 light source:	Epistar/Cree/Osram	工作电压 Working voltage:	DC24V
灰度等级 Gray level:	256/65536	额定功率 Power:	12W/15W
发光角度 Beam angle:	> 100°	控制方式 Control mode:	DMX/常亮
灯具尺寸 Lamp size:	27*49.2*1000MM	外壳颜色 Shell color:	银色 (可定制)
灯珠类型 Led type:	3535RGB/2835White/R/G/B/Y	灯具寿命 Lamp life:	> 50000H
外壳材料 Housing material:	AL6063+PC	防护等级 Protection level:	IP67
工作温度 Working temperature:	-20℃至60℃	阻燃等级 Flame retardant grade:	94-V0
应用场景 Application:	建筑轮廓/媒体立面/景观照明	电气安全等级 Electrical safety level:	III级

产品选型

Product selection

规格型号 Specification	光源 light source	颜色 Color	段数 sectionce	光效 Luminance efficiency	工作电压 Voltage	功率 Wattage	控制方式 Control mode
SH-XT13-DMX-RGB	3535RGB*48 PCS	RGB	8	≥25lm/W	DC24V	12W	DMX
SH-XT13-DMX-RGBW	5050RGBW*48PCS	RGBW	8	≥30lm/W	DC24V	15W	DMX
SH-XT13-DMX-White	2835 White*48 pcs	2200K-6500K	8	≥60lm/W	DC24V	12W	DMX
SH-XI13-SingleColor	2835 White*48 pcs	2200K-6500K	1	≥60lm/W	DC24V	12W	ON-OFF



产品特点 Features

- 光源采用高效LED，具有高流明，发热小，色彩纯正，无污染等特性；
- 专业防雷设计，采用针对感应防雷击以及静电（ESD）的专用防护器件；
- 采用宽电压设计，DC24V~DC48V电压输入，解决高楼供电不足，压降引起色彩偏差等问题；
- 内部恒流设计以及内置最新DMX512控制模块，符合国际标准DMX512控制协议，可兼容国际各种DMX512控制系统
- Adopts high-efficiency LED, which has the characteristics of high lumen, low heat generation, pure color, and no pollution;
- Professional lightning protection design, using special protection devices for inductive lightning protection and electrostatic discharge (ESD);
- Adopt wide voltage design and DC24V ~ DC48V voltage input to solve the problems of insufficient power supply of high buildings and color deviation caused by voltage drop;
- Internal constant current design and built-in latest DMX512 control module, in line with international standard DMX512 control protocol, compatible with various international DMX512 control systems

应用范围:

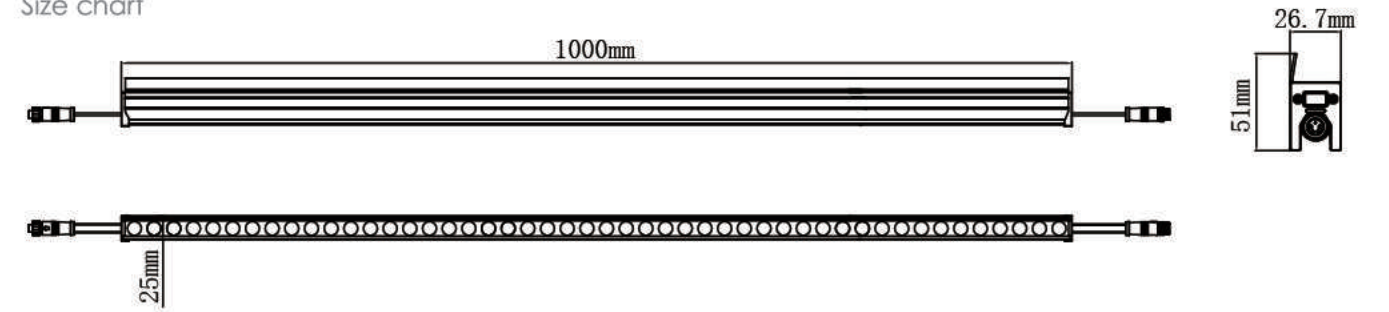
楼体轮廓，楼面亮化，大型商场外墙、KTV娱乐会所及酒店的炫彩屏等。

Application:

building outline decoration, huge outdoor led advertisement signs, led pixel display for KTV amusement clubs and hotels etc.

尺寸图

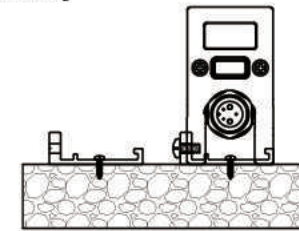
Size chart



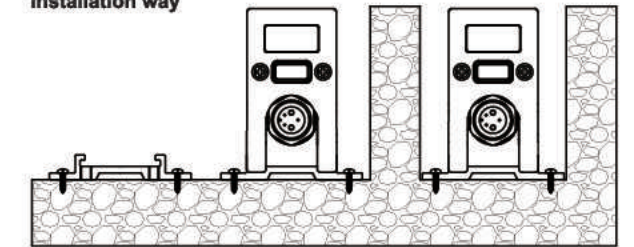
应用安装示意图

Application installation schematic diagram

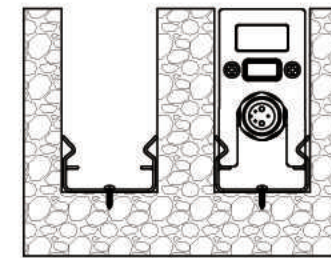
安装方式一 Installation way



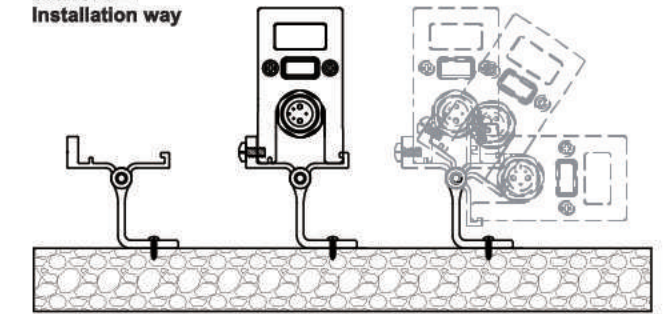
安装方式二 Installation way



安装方式三 Installation way



安装方式四 Installation way



技术参数

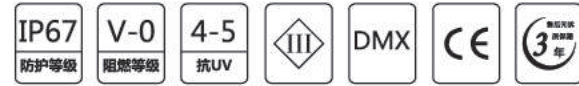
technical parameter

光源品牌 light source:	Epistar/Cree/Osram	工作电压 Working voltage:	DC24V
灰度等级 Gray level:	256/65536	额定功率 Power:	12W/15W
发光角度 Beam angle:	> 100°	控制方式 Control mode:	DMX/常亮
灯具尺寸 Lamp size:	26.7*51*1000MM	外壳颜色 Shell color:	银色 (可定制)
灯珠类型 Led type:	3535RGB/2835White/R/G/B/Y	灯具寿命 Lamp life:	> 50000H
外壳材料 Housing material:	AL6063+钢化玻璃	防护等级 Protection level:	IP67
工作温度 Working temperature:	-20℃至60℃	阻燃等级 Flame retardant grade:	94-V0
应用场景 Application:	建筑轮廓/媒体立面/景观照明	电气安全等级 Electrical safety level:	III级

产品选型

Product selection

规格型号 Specification	光源 light source	颜色 Color	段数 section	光效 Luminance efficiency	工作电压 Voltage	功率 Wattage	控制方式 Control mode
SH-XT14-DMX-RGB	5050 RGB *48PCS	RGB	8	≥25lm/W	DC24V	12W	DMX
SH-XT14-DMX-RGBW	5050 RGBW *48PCS	RGBW	8	≥30lm/W	DC24V	15W	DMX
SH-XT14-DMX-White	2835 White*48 pcs	2200K-6500K	8	≥60lm/W	DC24V	12W	DMX
SH-XI14-SingleColor	2835 White*48 pcs	2200K-6500K	1	≥60lm/W	DC24V	12W	ON-OFF



产品特点 Features

- 光源采用高效LED, 具有高流明, 发热小, 色彩纯正, 无污染等特性;
- 专业防雷设计, 采用针对感应防雷击以及静电 (ESD) 的专用防护器件;
- 采用宽电压设计, DC24V~DC48V电压输入, 解决高楼供电不足, 压降引起色彩偏差等问题;
- 内部恒流设计以及内置最新DMX512控制模块, 符合国际标准DMX512控制协议, 可兼容国际各种DMX512控制系统
- Adopts high-efficiency LED, which has the characteristics of high lumen, low heat generation, pure color, and no pollution;
- Professional lightning protection design, using special protection devices for inductive lightning protection and electrostatic discharge (ESD);
- Adopt wide voltage design and DC24V ~ DC48V voltage input to solve the problems of insufficient power supply of high buildings and color deviation caused by voltage drop;
- Internal constant current design and built-in latest DMX512 control module, in line with international standard DMX512 control protocol, compatible with various international DMX512 control systems

应用范围:

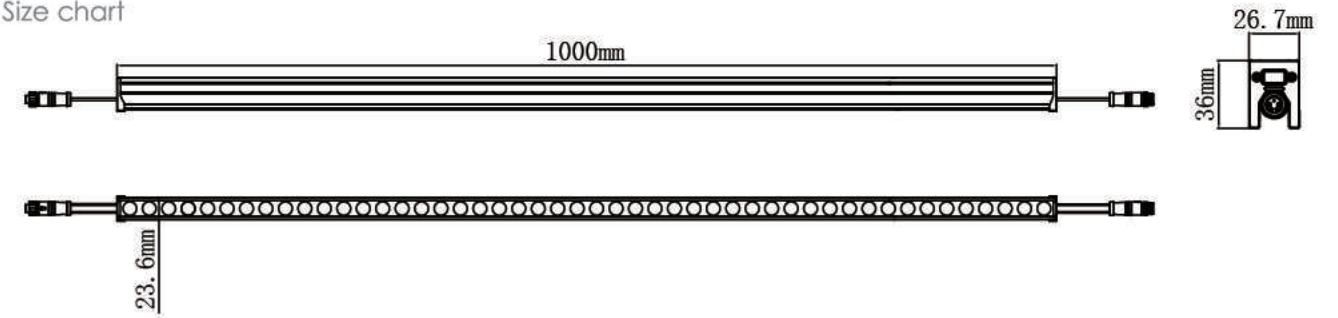
楼体轮廓, 楼面亮化, 大型商场外墙、KTV娱乐会所及酒店的炫彩屏等。

Application:

building outline decoration, huge outdoor led advertisement signs, led pixel display for KTV amusement clubs and hotels etc.

尺寸图

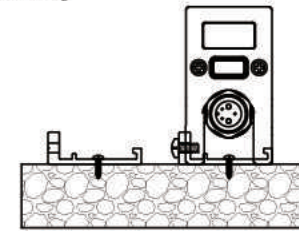
Size chart



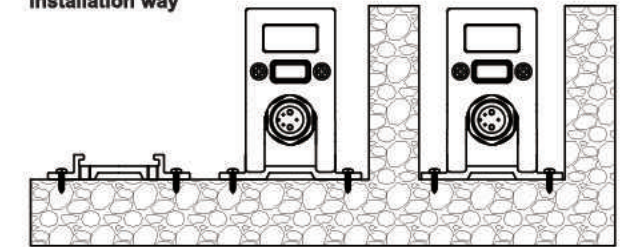
应用安装示意图

Application installation schematic diagram

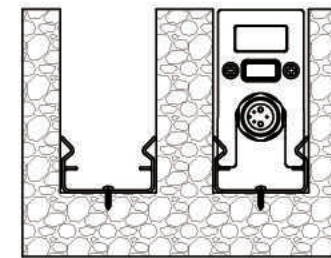
安装方式一 Installation way



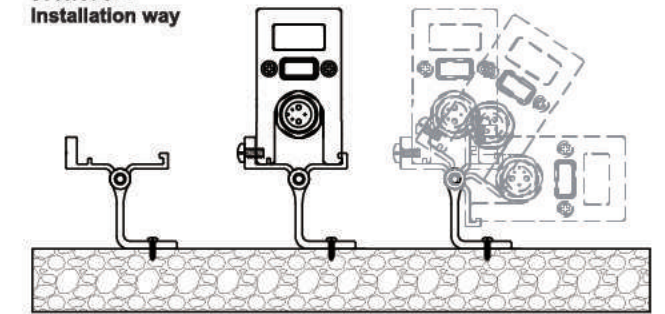
安装方式二 Installation way



安装方式三 Installation way



安装方式四 Installation way



技术参数

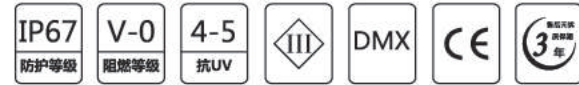
technical parameter

光源品牌 light source:	Epistar/Cree/Osram	工作电压 Working voltage:	DC24V
灰度等级 Gray level:	256/65536	额定功率 Power:	12W/15W
发光角度 Beam angle:	> 100°	控制方式 Control mode:	DMX/常亮
灯具尺寸 Lamp size:	26.7*36*1000MM	外壳颜色 Shell color:	银色 (可定制)
灯珠类型 Led type:	3535RGB/2835White/R/G/B/Y	灯具寿命 Lamp life:	> 50000H
外壳材料 Housing material:	AL6063+钢化玻璃	防护等级 Protection level:	IP67
工作温度 Working temperature:	-20℃至60℃	阻燃等级 Flame retardant grade:	94-V0
应用场景 Application:	建筑轮廓/媒体立面/景观照明	电气安全等级 Electrical safety level:	III级

产品选型

Product selection

规格型号 Specification	光源 light source	颜色 Color	段数 sectionce	光效 Luminance efficiency	工作电压 Voltage	功率 Wattage	控制方式 Control mode
SH-XT15-DMX-RGB	5050 RGB *48PCS	RGB		≥25lm/W	DC24V	12W	DMX
SH-XT15-DMX-RGBW	5050 RGBW *48PCS	RGBW		≥30lm/W	DC24V	15W	DMX
SH-XT15-DMX-WW	5050 WW *48PCS	2200K-6500K	8	≥60lm/W	DC24V	12W	DMX
SH-XT15-DMX-White	2835 White*48 pcs	2200K-6500K	8	≥60lm/W	DC24V	12W	DMX
SH-XI15-SingleColor	2835 White*48 pcs	2200K-6500K	1	≥60lm/W	DC24V	12W	ON-OFF



产品特点 Features

- 光源采用高效LED，具有高流明，发热小，色彩纯正，无污染等特性；
- 专业防雷设计，采用针对感应防雷击以及静电（ESD）的专用防护器件；
- 采用宽电压设计，DC24V~DC48V电压输入，解决高楼供电不足，压降引起色彩偏差等问题；
- 内部恒流设计以及内置最新DMX512控制模块，符合国际标准DMX512控制协议，可兼容国际各种DMX512控制系统
- Adopts high-efficiency LED, which has the characteristics of high lumen, low heat generation, pure color, and no pollution;
- Professional lightning protection design, using special protection devices for inductive lightning protection and electrostatic discharge (ESD);
- Adopt wide voltage design and DC24V ~ DC48V voltage input to solve the problems of insufficient power supply of high buildings and color deviation caused by voltage drop;
- Internal constant current design and built-in latest DMX512 control module, in line with international standard DMX512 control protocol, compatible with various international DMX512 control systems

应用范围:

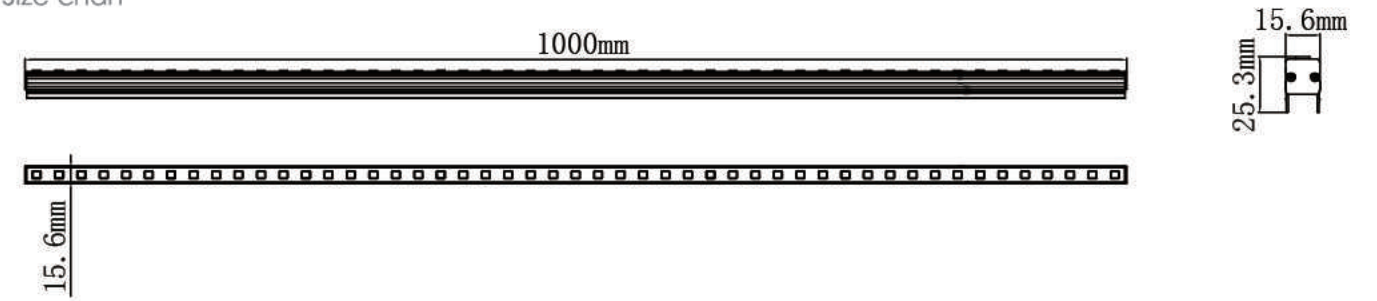
楼体轮廓，楼面亮化，大型商场外墙、KTV娱乐会所及酒店的炫彩屏等。

Application:

building outline decoration, huge outdoor led advertisement signs, led pixel display for KTV amusement clubs and hotels etc.

尺寸图

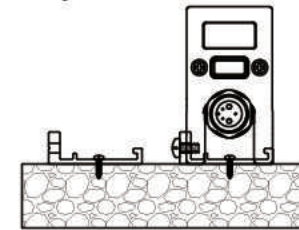
Size chart



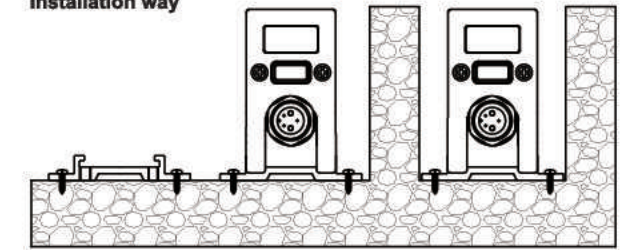
应用安装示意图

Application installation schematic diagram

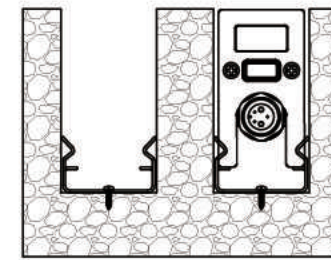
安装方式一
Installation way



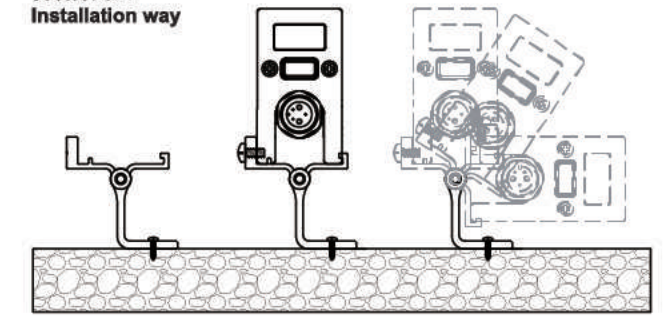
安装方式二
Installation way



安装方式三
Installation way



安装方式四
Installation way



技术参数

technical parameter

光源品牌 light source:	Epistar/Cree/Osram	工作电压 Working voltage:	DC24V
灰度等级 Gray level:	256/65536	额定功率 Power:	12W
发光角度 Beam angle:	> 100°	控制方式 Control mode:	DMX/常亮
灯具尺寸 Lamp size:	15.6 * 25.3 * 1000MM	外壳颜色 Shell color:	银色 (可定制)
灯珠类型 Led type:	3535RGB/2835White/R/G/B/Y	灯具寿命 Lamp life:	> 50000H
外壳材料 Housing material:	AL6063	防护等级 Protection level:	IP67
工作温度 Working temperature:	-20℃至60℃	阻燃等级 Flame retardant grade:	94-V0
应用场景 Application:	建筑轮廓/媒体立面/景观照明	电气安全等级 Electrical safety level:	III级

产品选型

Product selection

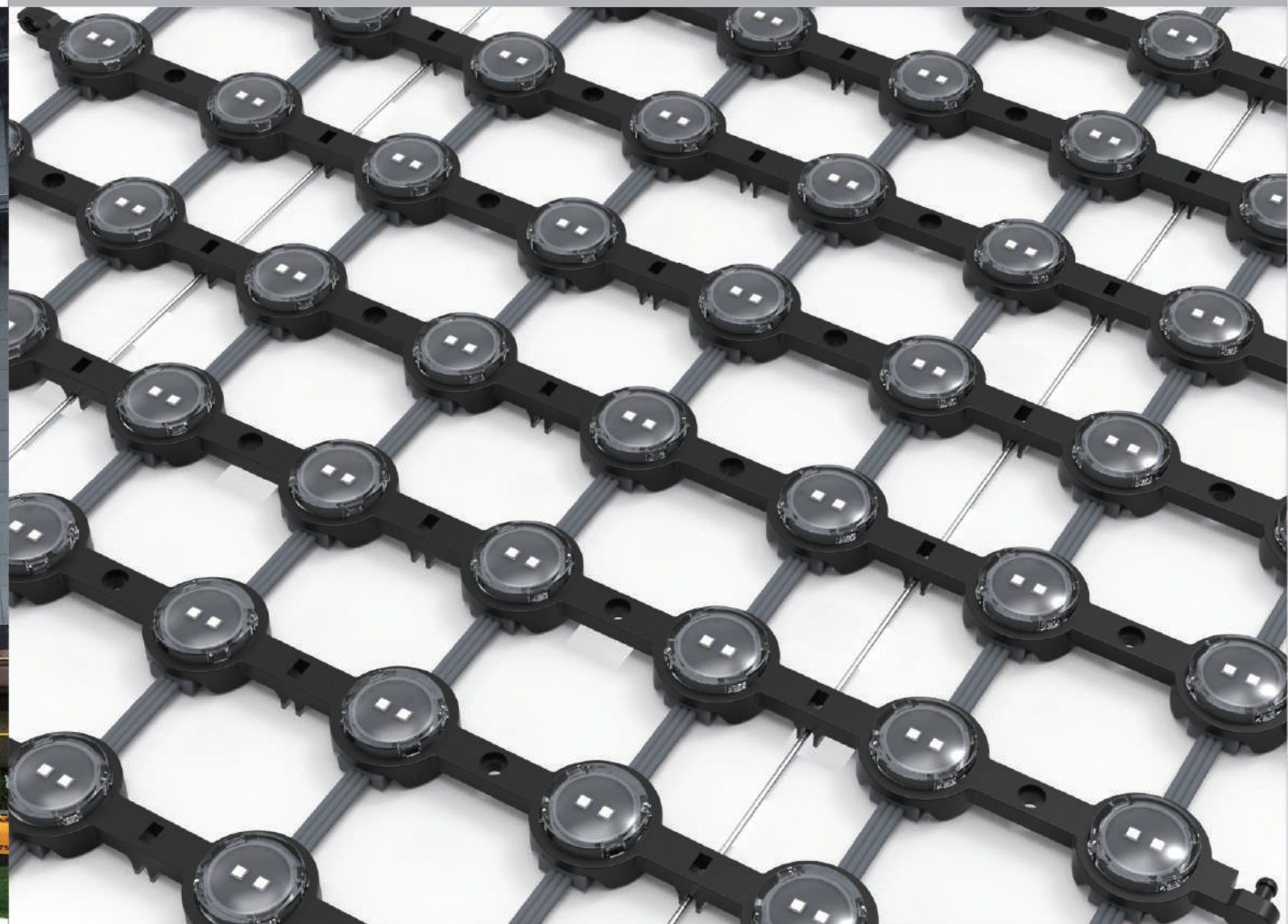
规格型号 Specification	光源 light source	颜色 Color	段数 sectionce	光效 Luminance efficiency	工作电压 Voltage	功率 Wattage	控制方式 Control mode
SH-XT17-DMX-RGB	5050 RGB *48PCS	RGB	8	≥25lm/W	DC24V	12W	DMX
SH-XT17-DMX-RGBW	5050 RGBW *48PCS	RGBW	8	≥30lm/W	DC24V	15W	DMX
SH-XT17-DMX-White	2835 White*48 pcs	2200K-6500K	8	≥60lm/W	DC24V	12W	DMX
SH-XI17-SingleColor	2835 White*48 pcs	2200K-6500K	1	≥60lm/W	DC24V	12W	ON-OFF

应用范围：楼面亮化，大型商场外墙、玻璃幕墙。
Application: The floor is brightened, the outer wall of the large shopping mall and the glass curtain wall.

LED网格屏-E系列

Led Mesh Screen - E series

LED网格屏-E系列

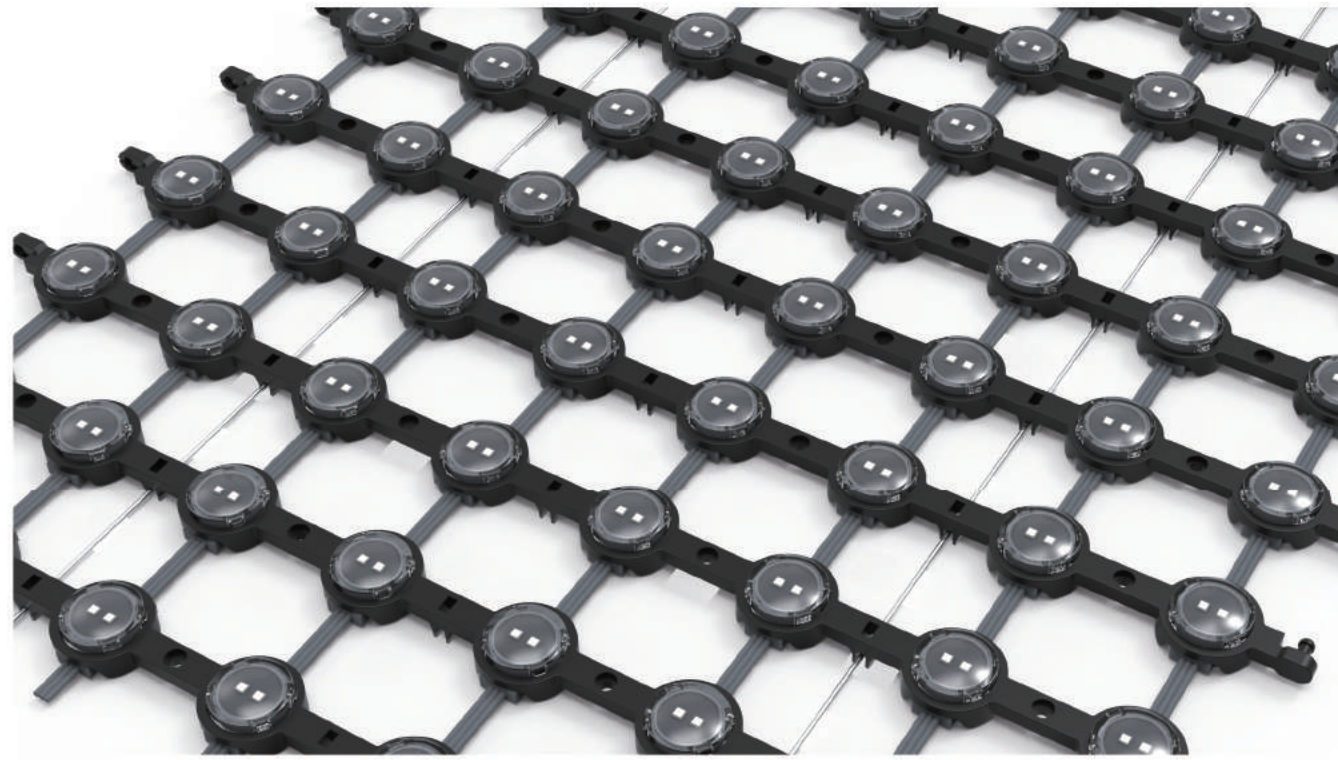


CONTENTS

内容

SH-E22 LED 网格屏 P121-P122
SH-E14 LED 网格屏 P123-P124
SH-E15 LED 网格屏 P125-P126

SH-E16A LED 网格屏 P127-P128
SH-E10A LED 网格屏 P129-P130
SH-E33 LED 网格屏 P131-P132



产品特点 Features

- 具备良好的通透率，可定制多种外观颜色，柔软灵活自由拼接，让屏体与建筑物完美契合；
- 全方位灌胶工艺，超强耐候性材质，防护等级达到IP67，使用寿命长；
- 每个模块均采用卡扣式设计，易于拆卸，条和点可插拔，使维护更加简便；
- 安装结构简单，不影响原墙结构。

- High permeability, can customize appearance colors, flexible splicing, the screen body and the building perfectly fit;
- All-round gluing process, super weather-resistant material, protection grade reaches IP67, long service life;
- Adopts a snap-in design, easy to remove, making maintenance easier;
- The installation structure not affect the original wall structure.

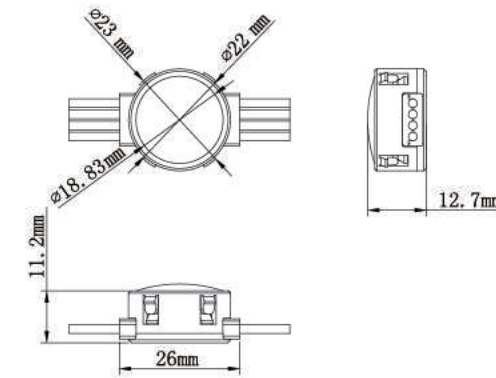
应用范围:

适用于户外玻璃幕墙，媒体立面，楼体建筑，播放视频广告等内容。

Application:

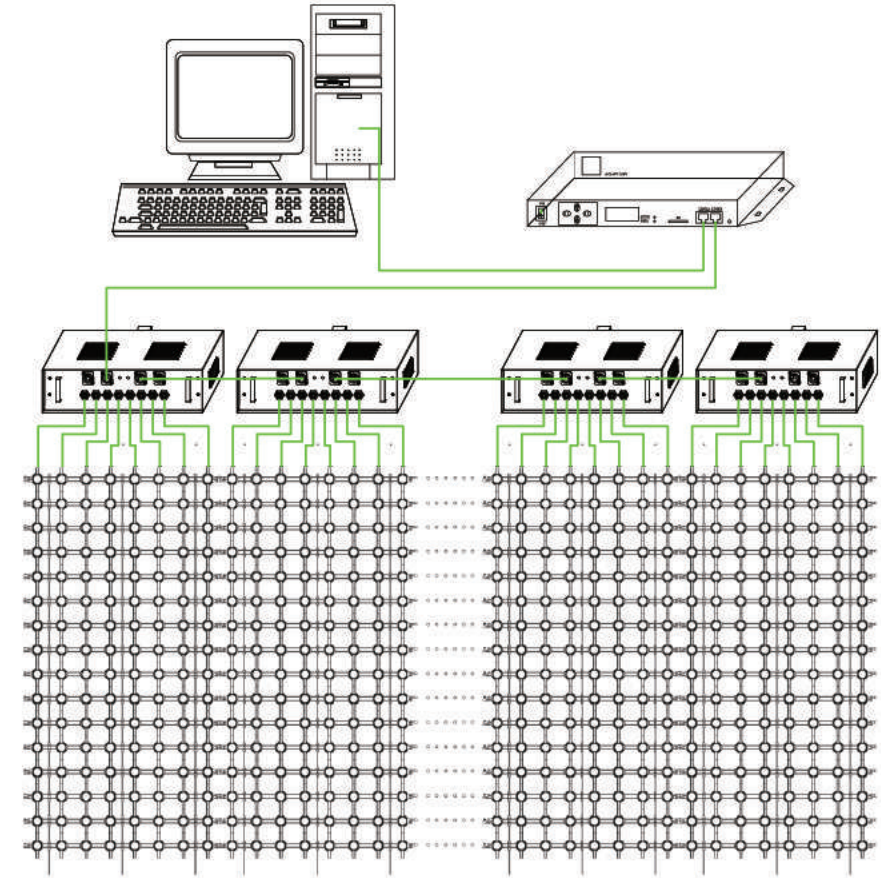
Suitable for outdoor glass curtain wall, media facade, building construction, Play video ads and more.

尺寸图 Size chart



应用安装示意图

Application installation schematic diagram



技术参数

technical parameter

光源品牌 light source:	Epistar/Cree/Osram	工作电压 Working voltage:	DC5V/DC12V
灰度等级 Gray level:	256 / 4096	额定功率 Power:	0.3W/0.4W
发光角度 Beam angle:	> 120°	控制方式 Control mode:	DMX/TTL
灯具尺寸 Lamp size:	26*22*12.7mm	外壳颜色 Shell color:	浅灰/黑色
灯珠类型 Led type:	3535RGB	灯具寿命 Lamp life:	> 50000H
外壳材料 Housing material:	工程塑料	防护等级 Protection level:	IP67
工作温度 Working temperature:	-20℃至60℃	阻燃等级 Flame retardant grade:	94-V0
应用场景 Application:	媒体立面 / 玻璃幕墙	电气安全等级 Electrical safety level:	III级

产品选型

Product selection

规格型号 Specification	光源 light source	颜色 Color	亮度 Brightness	工作电压 Voltage	功率 Wattage	控制方式 Control mode
SH-E22-DMX-RGB	3535 RGB * 1 pcs	RGB	> 2400MCD	DC5V	0.3W	DMX
SH-E22-TTL-RGB	3535 RGB * 1 pcs	RGB	> 2400MCD	DC5V	0.3W	TTL
SH-E22-SPI-RGB	2727 RGB * 2 pcs	RGB	> 2400MCD	DC12V	0.4W	TTL



产品特点 Features

- 具备良好的通透率, 可定制多种外观颜色, 柔软灵活自由拼接, 让屏体与建筑物完美契合;
- 全方位灌胶工艺, 超强耐候性材质, 防护等级达到IP67, 使用寿命长;
- 每个模块均采用卡扣式设计, 易于拆卸, 使维护更加简便;
- 安装结构简单, 不影响原墙结构。

- High permeability, can customize appearance colors, flexible splicing, the screen body and the building perfectly fit;
- All-round gluing process, super weather-resistant material, protection grade reaches IP67, long service life;
- Adopts a snap-in design, easy to remove,, making maintenance easier;
- The installation structure not affect the original wall structure.

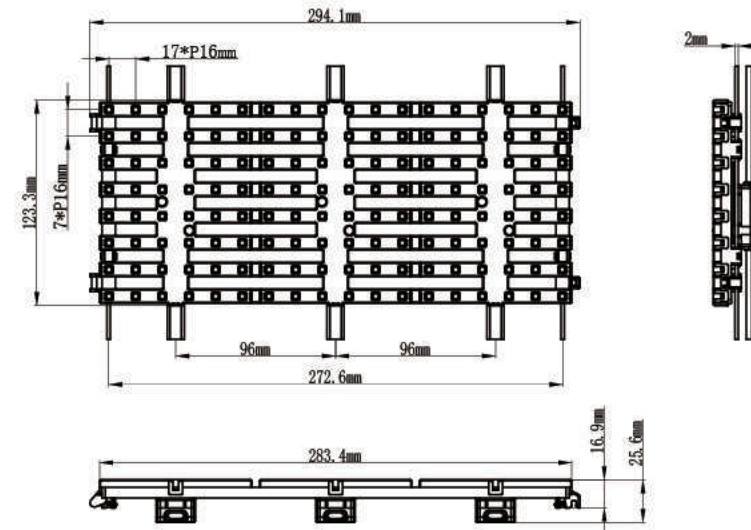
应用范围:

适用于户外玻璃幕墙, 媒体立面, 楼体建筑, 播放视频广告等内容。

Application:

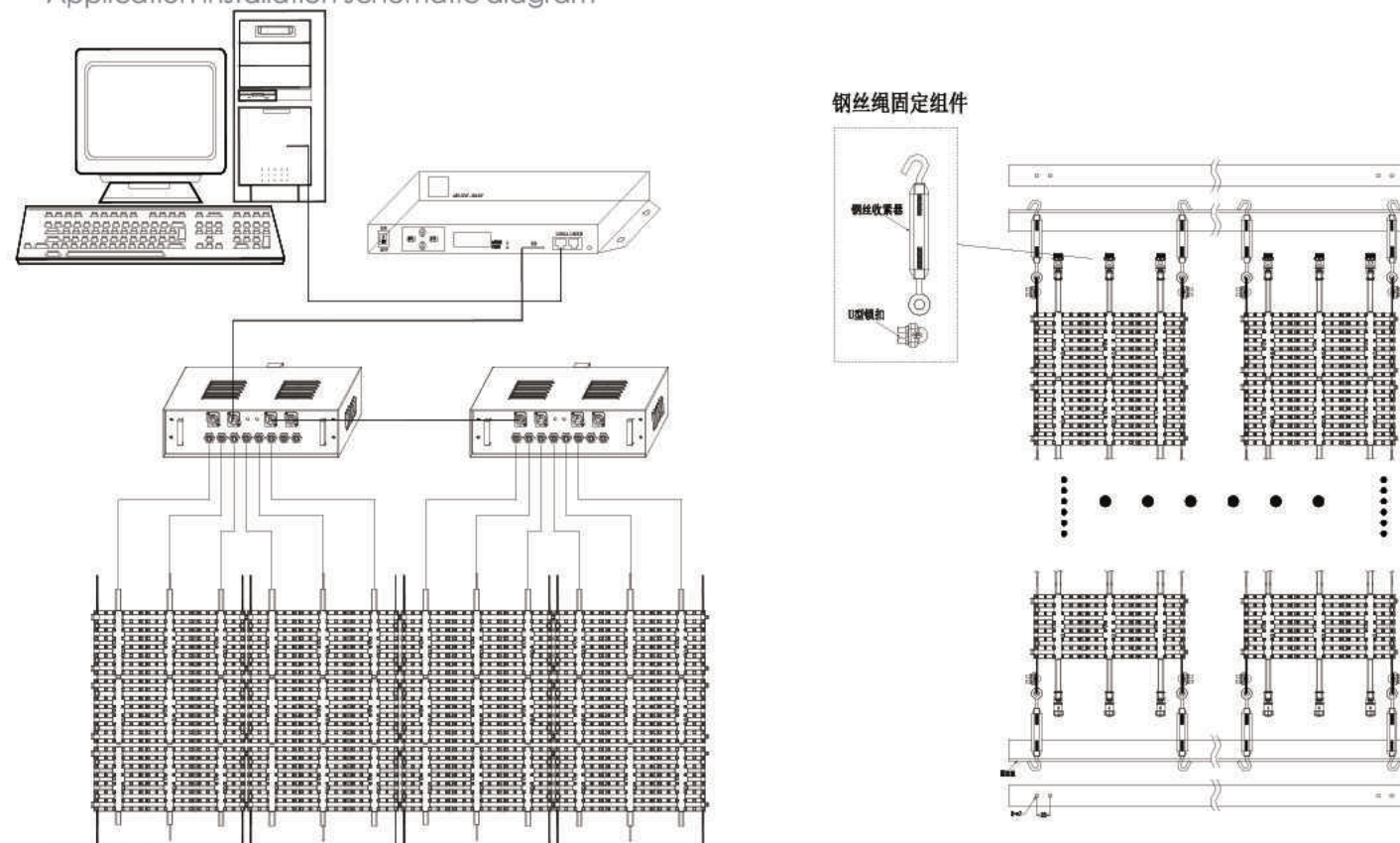
Suitable for outdoor glass curtain wall, media facade, building construction, Play video ads and more.

尺寸图 Size chart



应用安装示意图

Application installation schematic diagram



技术参数

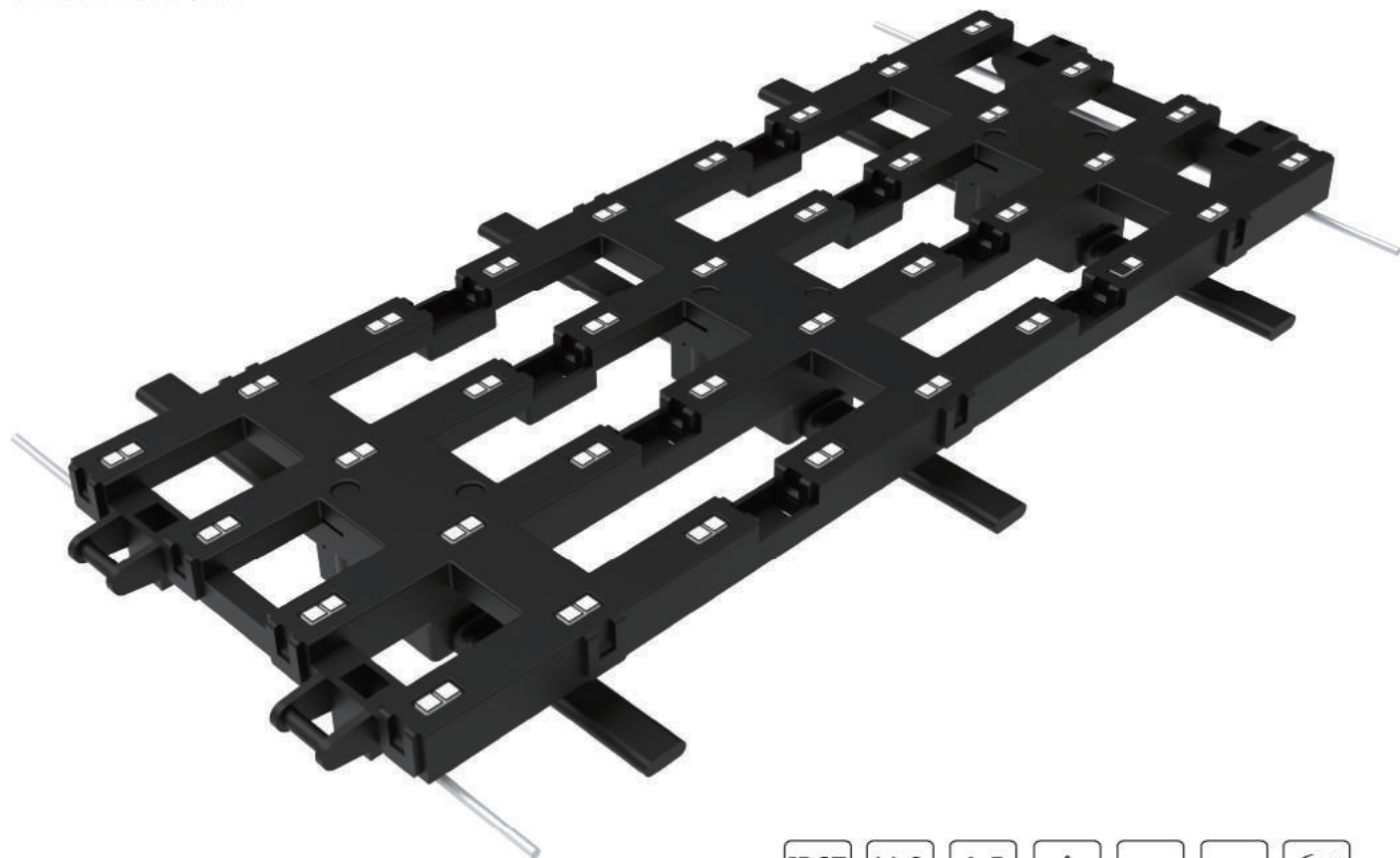
technical parameter

光源品牌 light source:	Epistar/Cree/Osram	工作电压 Working voltage:	DC12V
灰度等级 Gray level:	256 / 4096	额定功率 Power:	0.3W/PCS
发光角度 Beam angle:	> 120°	控制方式 Control mode:	TTL
灯具尺寸 Lamp size:	26*22*12.7mm	外壳颜色 Shell color:	黑色/灰色/透明
灯珠类型 Led type:	3535RGB	灯具寿命 Lamp life:	> 50000H
外壳材料 Housing material:	PC	防护等级 Protection level:	IP67
工作温度 Working temperature:	-20℃至60℃	阻燃等级 Flame retardant grade:	94-V0
应用场景 Application:	媒体立面 / 玻璃幕墙	电气安全等级 Electrical safety level:	III级

产品选型

Product selection

规格型号 Specification	光源 light source	段数 sectionce	像素间距	颜色 Color	亮度 Brightness	工作电压 Voltage	功率 Wattage	控制方式 Control mode
SH-E14A-SPI-RGB	3535 RGB* 48PCS	48	16mm*16mm	RGB	≥115200MCD	DC24V	12	TTL



产品特点 Features

- 具备良好的通透率，可定制多种外观颜色，柔软灵活自由拼接，让屏体与建筑物完美契合；
- 全方位灌胶工艺，超强耐候性材质，防护等级达到IP67，使用寿命长；
- 每个模块均采用卡扣式设计，易于拆卸，使维护更加简便；
- 安装结构简单，不影响原墙结构。

- High permeability, can customize appearance colors, flexible splicing, the screen body and the building perfectly fit;
- All-round gluing process, super weather-resistant material, protection grade reaches IP67, long service life;
- Adopts a snap-in design, easy to remove, making maintenance easier;
- The installation structure not affect the original wall structure.

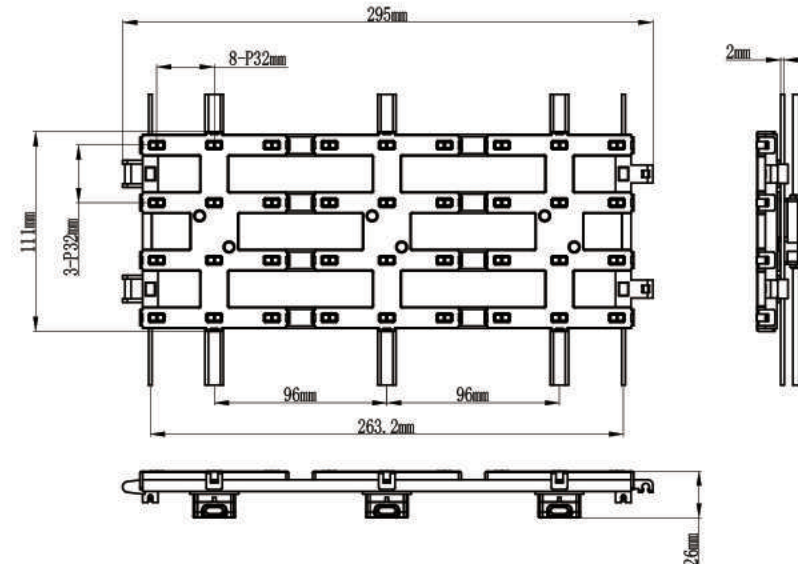
应用范围:

适用于户外玻璃幕墙，媒体立面，楼体建筑，播放视频广告等内容。

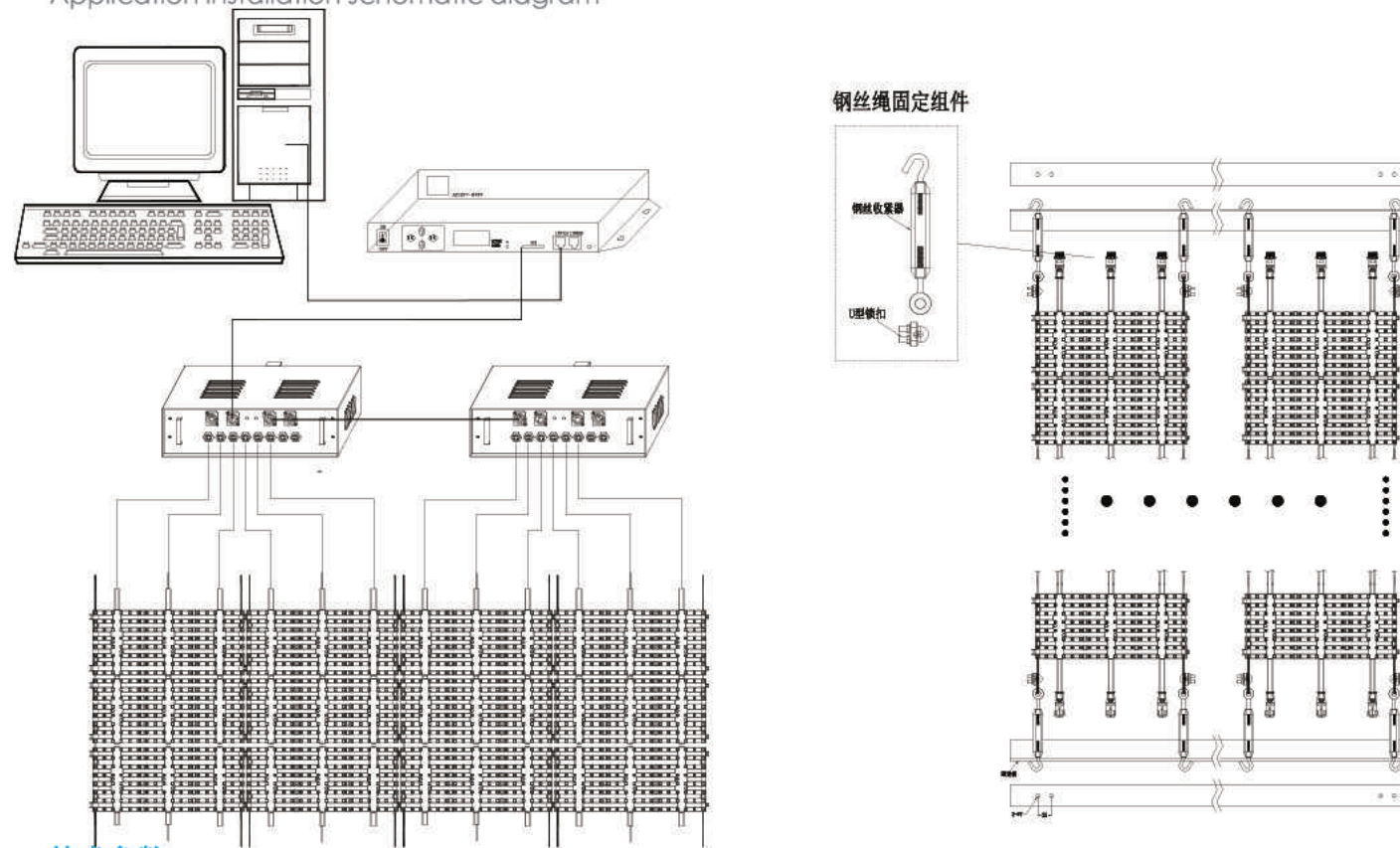
Application:

Suitable for outdoor glass curtain wall, media facade, building construction, Play video ads and more.

尺寸图 Size chart



应用安装示意图 Application installation schematic diagram



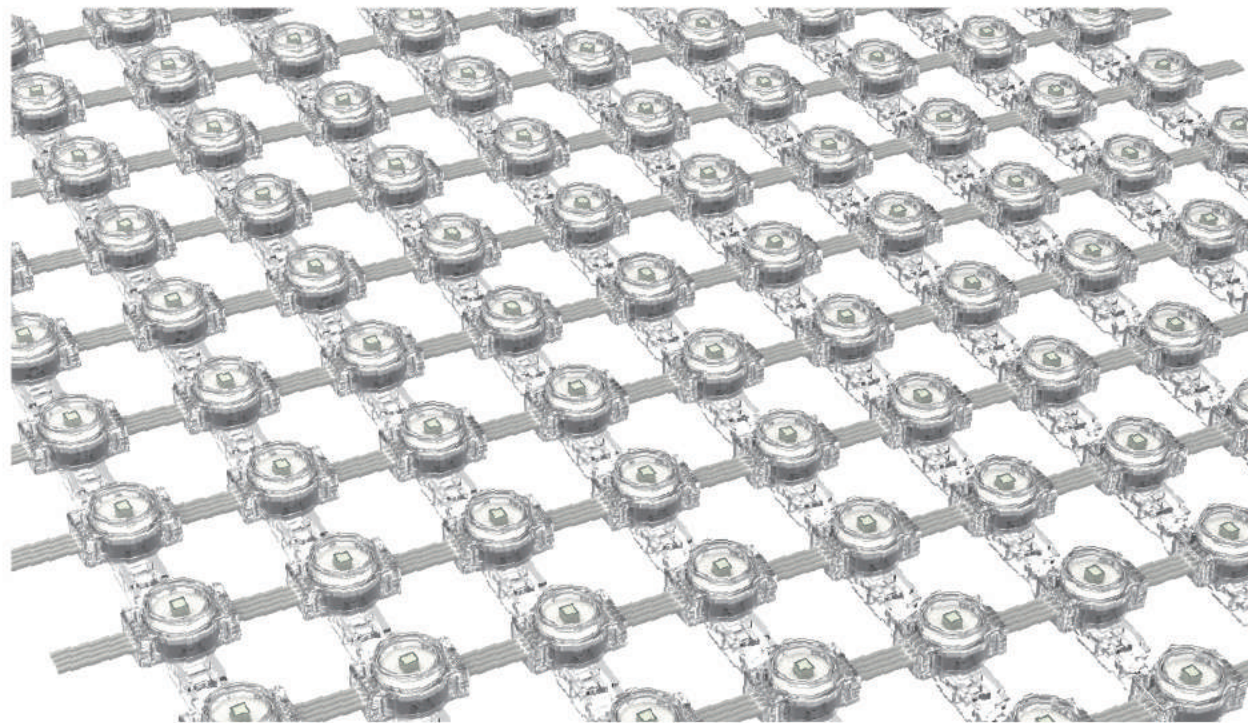
技术参数 technical parameter

光源品牌 light source:	Epistar/Cree/Osram	工作电压 Working voltage:	DC12V
灰度等级 Gray level:	256 / 4096	额定功率 Power:	0.3W/PCS
发光角度 Beam angle:	> 120°	控制方式 Control mode:	TTL
灯具尺寸 Lamp size:	26*22*12.7mm	外壳颜色 Shell color:	黑色/灰色/透明
灯珠类型 Led type:	3535RGB	灯具寿命 Lamp life:	> 50000H
外壳材料 Housing material:	PC	防护等级 Protection level:	IP67
工作温度 Working temperature:	-20℃至60℃	阻燃等级 Flame retardant grade:	94-V0
应用场景 Application:	媒体立面 / 玻璃幕墙	电气安全等级 Electrical safety level:	III级

产品选型

Product selection

规格型号 Specification	光源 light source	段数 section	像素间距	颜色 Color	亮度 Brightness	工作电压 Voltage	功率 Wattage	控制方式 Control mode
SH-E15A-SPI-RGB	3535 RGB* 24PCS	12	32mm*32mm	RGB	>57600MCD	DC24V	6	TTL



产品特点 Features

- 具备良好的通透率，可定制多种外观颜色，柔软灵活自由拼接，让屏体与建筑物完美契合；
- 全方位灌胶工艺，超强耐候性材质，防护等级达到IP67，使用寿命长；
- 每个模块均采用卡扣式设计，易于拆卸，条和点可插拔，使维护更加简便；
- 安装结构简单，不影响原墙结构。

- High permeability, can customize appearance colors, flexible splicing, the screen body and the building perfectly fit;
- All-round gluing process, super weather-resistant material, protection grade reaches IP67, long service life;
- Adopts a snap-in design, easy to remove, making maintenance easier;
- The installation structure not affect the original wall structure.

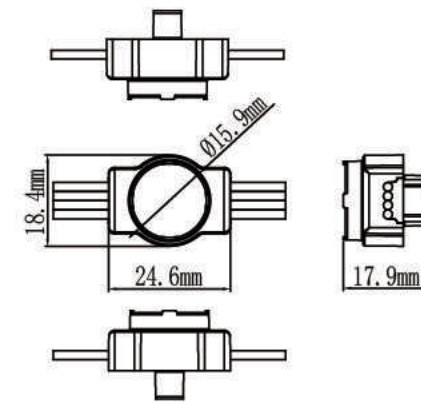
应用范围:

适用于户外玻璃幕墙，媒体立面，楼体建筑，播放视频广告等内容。

Application:

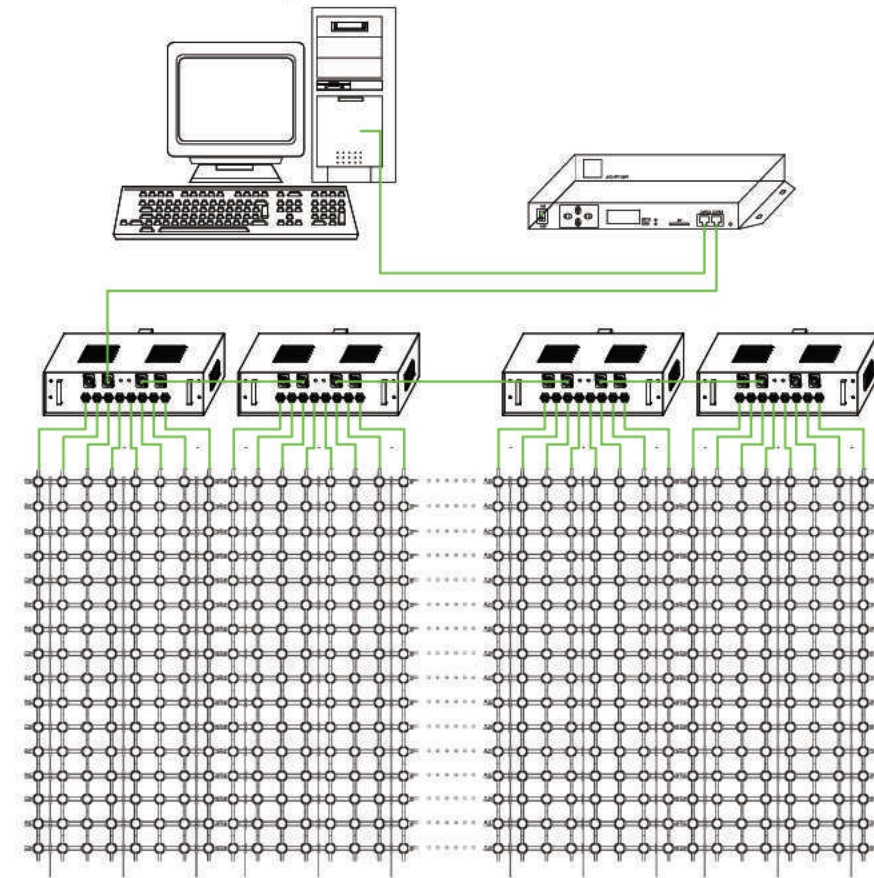
Suitable for outdoor glass curtain wall, media facade, building construction, Play video ads and more.

尺寸图 Size chart



应用安装示意图

Application installation schematic diagram



技术参数

technical parameter

光源品牌 light source:	Epistar/Cree/Osram	工作电压 Working voltage:	DC12V
灰度等级 Gray level:	256 / 4096	额定功率 Power:	0.3W/PCS
发光角度 Beam angle:	> 120°	控制方式 Control mode:	TTL
灯具尺寸 Lamp size:	26*22*12.7mm	外壳颜色 Shell color:	黑色/灰色/透明
灯珠类型 Led type:	3535RGB	灯具寿命 Lamp life:	> 50000H
外壳材料 Housing material:	PC	防护等级 Protection level:	IP67
工作温度 Working temperature:	-20℃至60℃	阻燃等级 Flame retardant grade:	94-V0
应用场景 Application:	媒体立面 / 玻璃幕墙	电气安全等级 Electrical safety level:	III级

产品选型

Product selection

规格型号 Specification	光源 light source	颜色 Color	亮度 Brightness	工作电压 Voltage	功率Wattage	控制方式 Control mode
SH-E16A-SPI-RGB	3535 RGB * 1 pcs	RGB	> 2400MCD	DC12V	0.3W	SPI



产品特点 Features

- 具备良好的通透率，可定制多种外观颜色，柔软灵活自由拼接，让屏体与建筑物完美契合；
 - 全方位灌胶工艺，超强耐候性材质，防护等级达到IP67，使用寿命长；
 - 采用双通道信号输入的坏点续传功能，支持自动修正数据；
 - 整串灯线材无间断，无焊点，铜损小，信号传输稳定
- High permeability, can customize appearance colors, flexible splicing, the screen body and the building perfectly fit;
 - All-round gluing process, super weather-resistant material, protection grade reaches IP67, long service life;
 - Adopting the function of continuous transmission of dead pixels with dual-channel signal input, which supports automatic correction of data;
 - The whole string of lamp wires is uninterrupted, no solder joints, small copper loss, and stable signal transmission

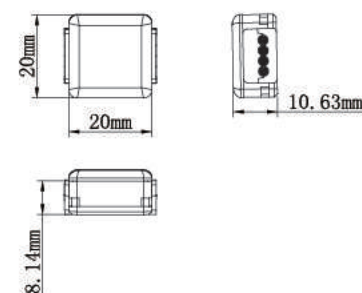
应用范围:

适用于户外玻璃幕墙，媒体立面，楼体建筑，播放视频广告等内容。

Application:

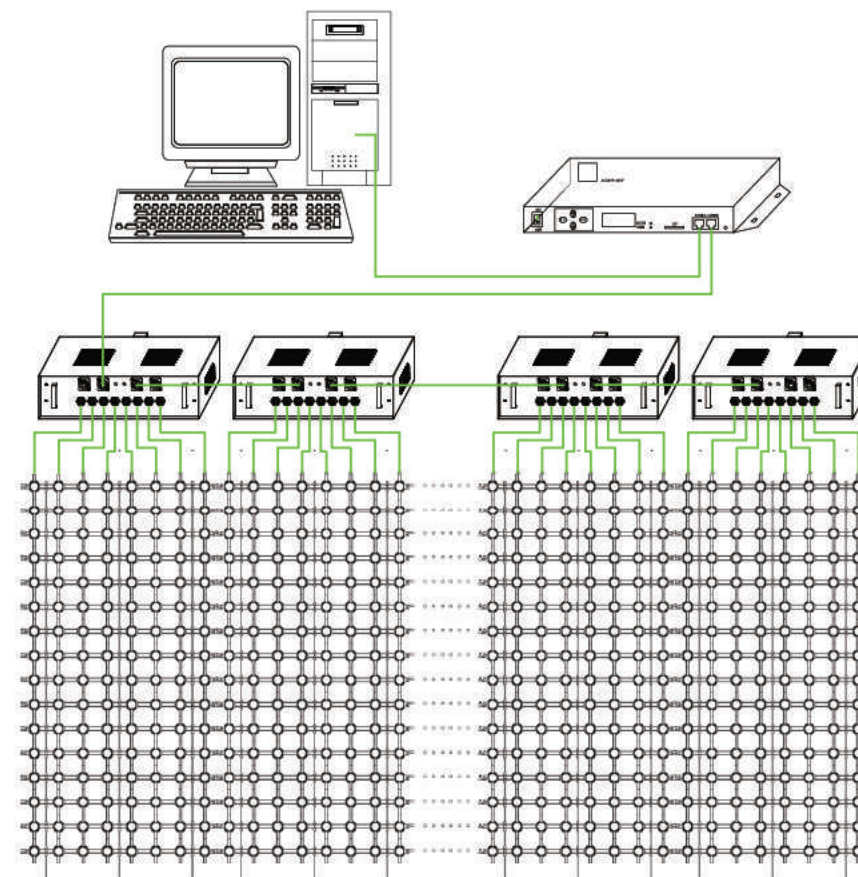
Suitable for outdoor glass curtain wall, media facade, building construction, Play video ads and more.

尺寸图 Size chart



应用安装示意图

Application installation schematic diagram



技术参数

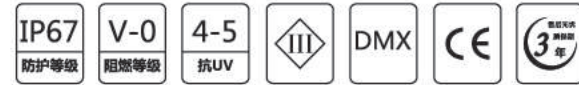
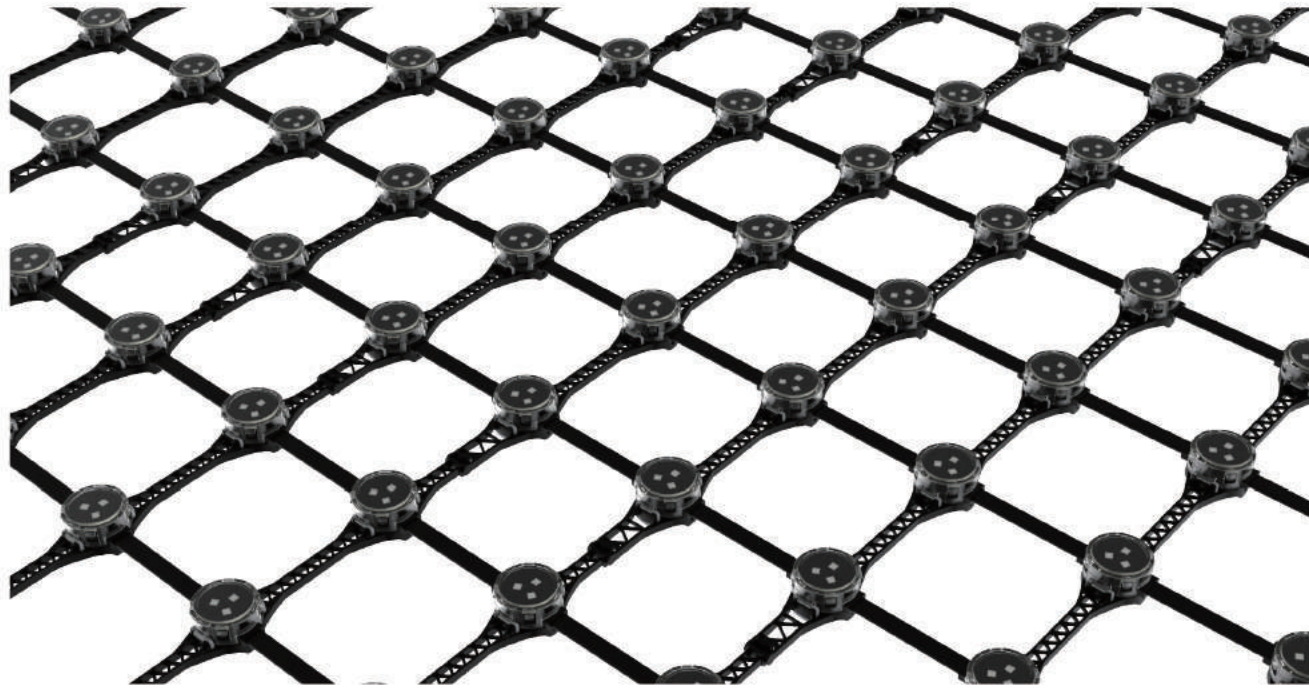
technical parameter

光源品牌 light source:	Epistar/Cree/Osram	工作电压 Working voltage:	DC12V/DC15V/DC24V
灰度等级 Gray level:	4096	额定功率 Power:	0.7W/0.9W/1.4W
发光角度 Beam angle:	> 120°	控制方式 Control mode:	TTL
灯具尺寸 Lamp size:	20*20*10.6mm	外壳颜色 Shell color:	浅灰/黑色
灯珠类型 Led type:	2727/3535RGB	灯具寿命 Lamp life:	> 50000H
外壳材料 Housing material:	工程塑料	防护等级 Protection level:	IP67
工作温度 Working temperature:	-20℃至60℃	阻燃等级 Flame retardant grade:	94-V0
应用场景 Application:	媒体立面 / 玻璃幕墙	电气安全等级 Electrical safety level:	III级

产品选型

Product selection

规格型号 Specification	光源 light source	颜色 Color	亮度 Brightness	工作电压 Voltage	功率 Wattage	控制方式 Control mode
SH-E10A-TTL-RGB	2727RGB*4	RGB	> 8000MCD	DC15V/24V	0.9W/1.4W	TTL
SH-E10A-TTL-RGB	3535RGB*2	RGB	> 4800MCD	DC12V	0.7W	TTL



产品特点 Features

- 具备良好的通透率，可定制多种外观颜色，柔软灵活自由拼接，让屏体与建筑物完美契合；
- 全方位灌胶工艺，超强耐候性材质，防护等级达到IP67，使用寿命长；
- 每个模块均采用卡扣式设计，易于拆卸，条和点可插拔，使维护更加简便；
- 安装结构简单，不影响原墙结构。

- High permeability, can customize appearance colors, flexible splicing, the screen body and the building perfectly fit;
- All-round gluing process, super weather-resistant material, protection grade reaches IP67, long service life;
- Adopts a snap-in design, easy to remove, making maintenance easier;
- The installation structure not affect the original wall structure.

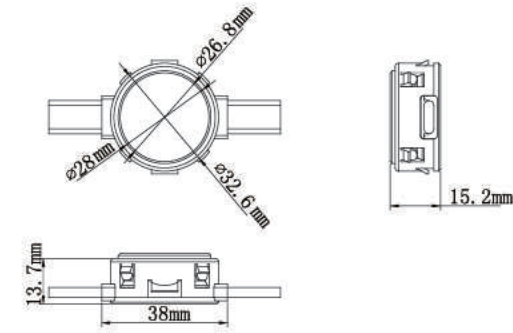
应用范围:

适用于户外玻璃幕墙，媒体立面，楼体建筑，播放视频广告等内容。

Application:

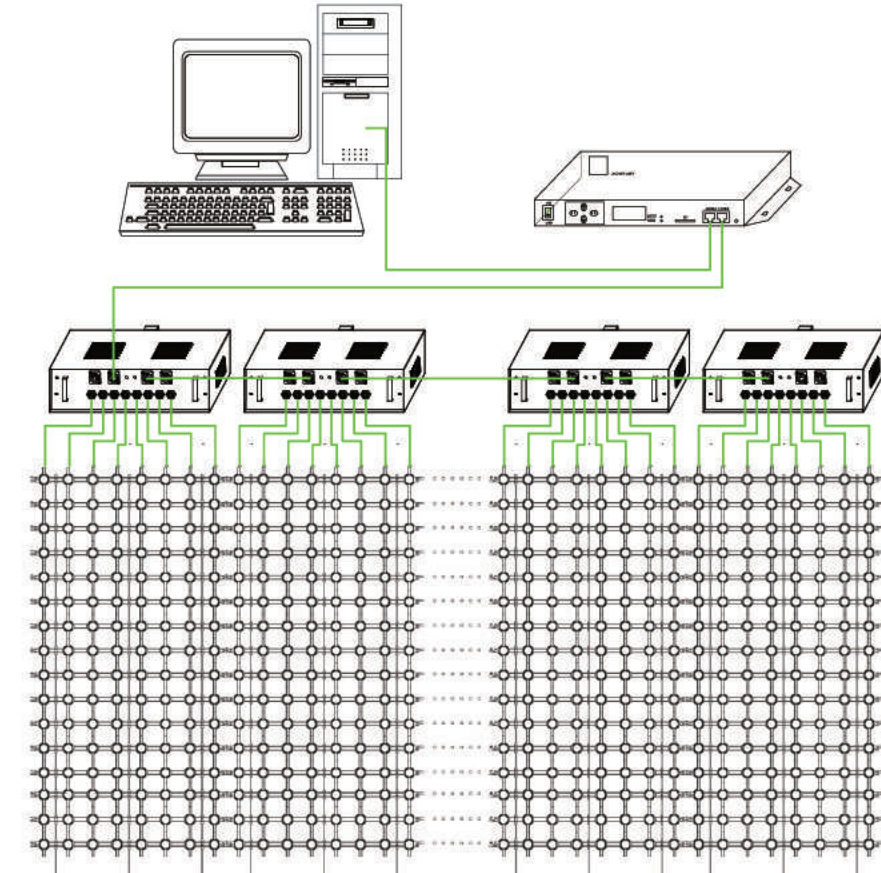
Suitable for outdoor glass curtain wall, media facade, building construction, Play video ads and more.

尺寸图 Size chart



应用安装示意图

Application installation schematic diagram



技术参数

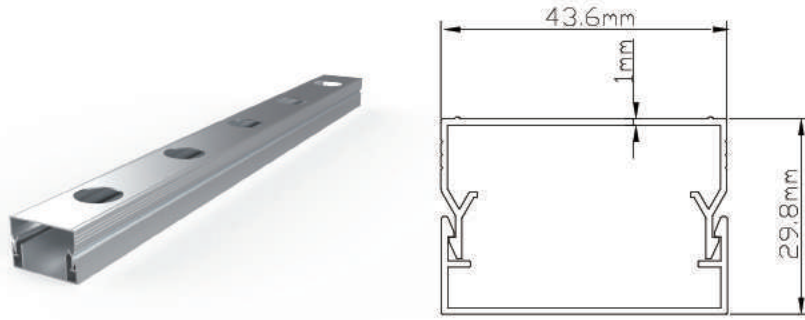
technical parameter

光源品牌 light source:	Epistar/Cree/Osram	工作电压 Working voltage:	DC12V/DC15V
灰度等级 Gray level:	256/65536	额定功率 Power:	0.7W/0.9W/1.2W
发光角度 Beam angle:	> 120°	控制方式 Control mode:	TTL
灯具尺寸 Lamp size:	26.8*15.2*38mm	外壳颜色 Shell color:	浅灰/黑色
灯珠类型 Led type:	3535RGB	灯具寿命 Lamp life:	> 50000H
外壳材料 Housing material:	工程塑料	防护等级 Protection level:	IP67
工作温度 Working temperature:	-20℃至60℃	阻燃等级 Flame retardant grade:	94-V0
应用场景 Application:	媒体立面 / 玻璃幕墙	电气安全等级 Electrical safety level:	III级

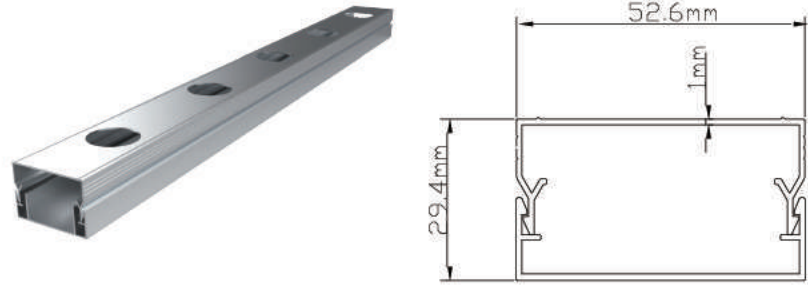
产品选型

Product selection

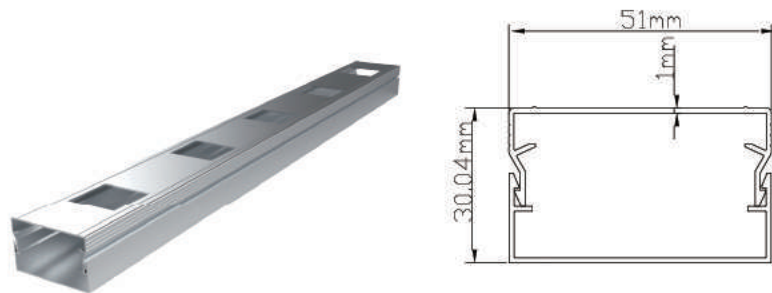
规格型号 Specification	光源 light source	颜色 Color	亮度 Brightness	工作电压 Voltage	功率Wattage	控制方式 Control mode
SH-E33-DMX-RGB	3535RGB*3	RGB	> 7200MCD	DC12V/15V	0.7W/0.9W	DMX
SH-E33-DMX-RGBW	3535RGB*3+2835W*1	RGBW	> 9600MCD	DC12V/15V	0.9W/1.2W	DMX



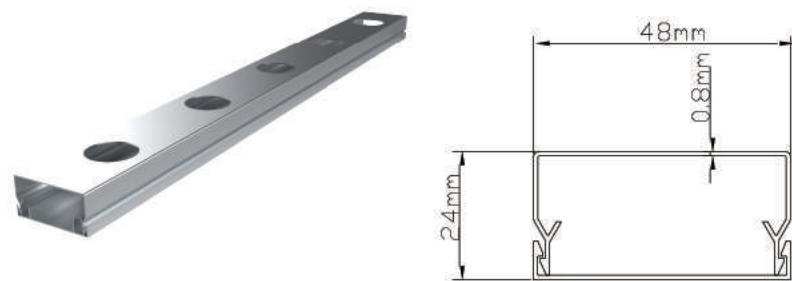
名称: L001上下盖型材
适合产品: JD33点光源
规格: 10孔/米 (开孔数可定制)
开孔尺寸: $\varnothing 28.5\text{mm}$
Name: L001 Upper and lower cover profiles
Suitable products: JD33 point light source
Specification: 10 holes / meter (Number of openings can be customized)
Opening size: $\varnothing 28.5\text{mm}$



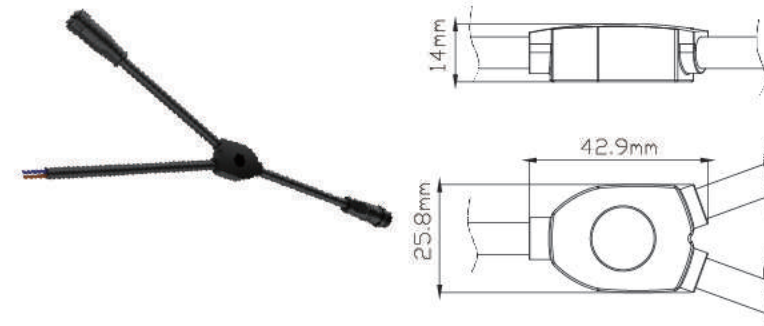
名称: L004上下盖型材
适合产品: JD42点光源
规格: 10孔/米 (开孔数可定制)
开孔尺寸: $\varnothing 35.9\text{mm}$
Name: L004 Upper and lower cover profiles
Suitable product: JD42 point light source
Specification: 10 holes / meter (Number of openings can be customized)
Opening size: $\varnothing 35.9\text{mm}$



名称: L006上下盖型材
适合产品: XD10点光源
规格: 10孔/米 (开孔数可定制)
开孔尺寸: 32.8mm*32.8mm
Name: L006 Upper and lower cover profiles
Suitable products: XD10 point light source
Specification: 10 holes / meter (Number of openings can be customized)
Opening size: 32.8mm * 32.8mm

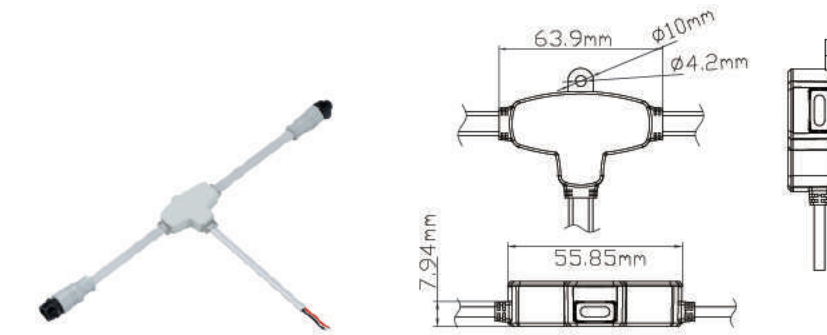


名称: L009上下盖型材
适合产品: WD38/AD10点光源
规格: 10孔/米 (开孔数可定制)
开孔尺寸: $\varnothing 30.5\text{mm}$
Name: L009 Upper and lower cover profiles
Suitable products: WD38 / AD10 point light source
Specification: 10 holes / meter (the number of openings can be customized)
Opening size: $\varnothing 30.5\text{mm}$



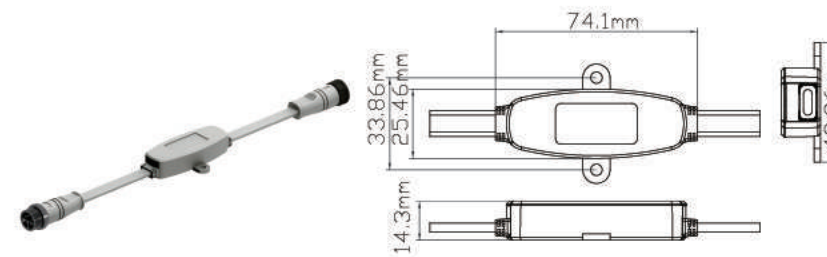
名称: Y001三通
适合产品: LED点光源
功能: 供电
规格: 左右长度15CM, 下垂20CM (线长可定制)

Name: Y001 Tee
Suitable products: LED point light source
Function: Power supply
Specifications: left and right length 15CM, droop 20CM (line length can be customized)



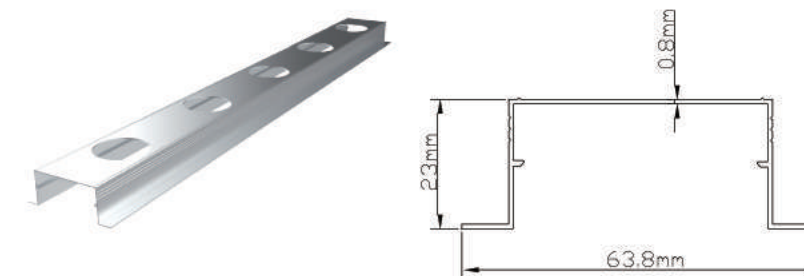
名称: T001三通
适合产品: 点光源/网格屏/3D造型灯等产品
功能: 供电/DMX512转TTL信号转换
规格: 左右长度15CM, 下垂20CM (线长可定制)

Name: T001 Tee
Suitable products: point light source / grid screen / 3D modeling light and other products
Function: Power supply / DMX512 to TTL signal conversion
Specifications: left and right length 15CM, droop 20CM (line length can be customized)



名称: 信号放大器
适合产品: DMX单线并联产品, 串联产品
规格: 长度20CM (线长可定制)

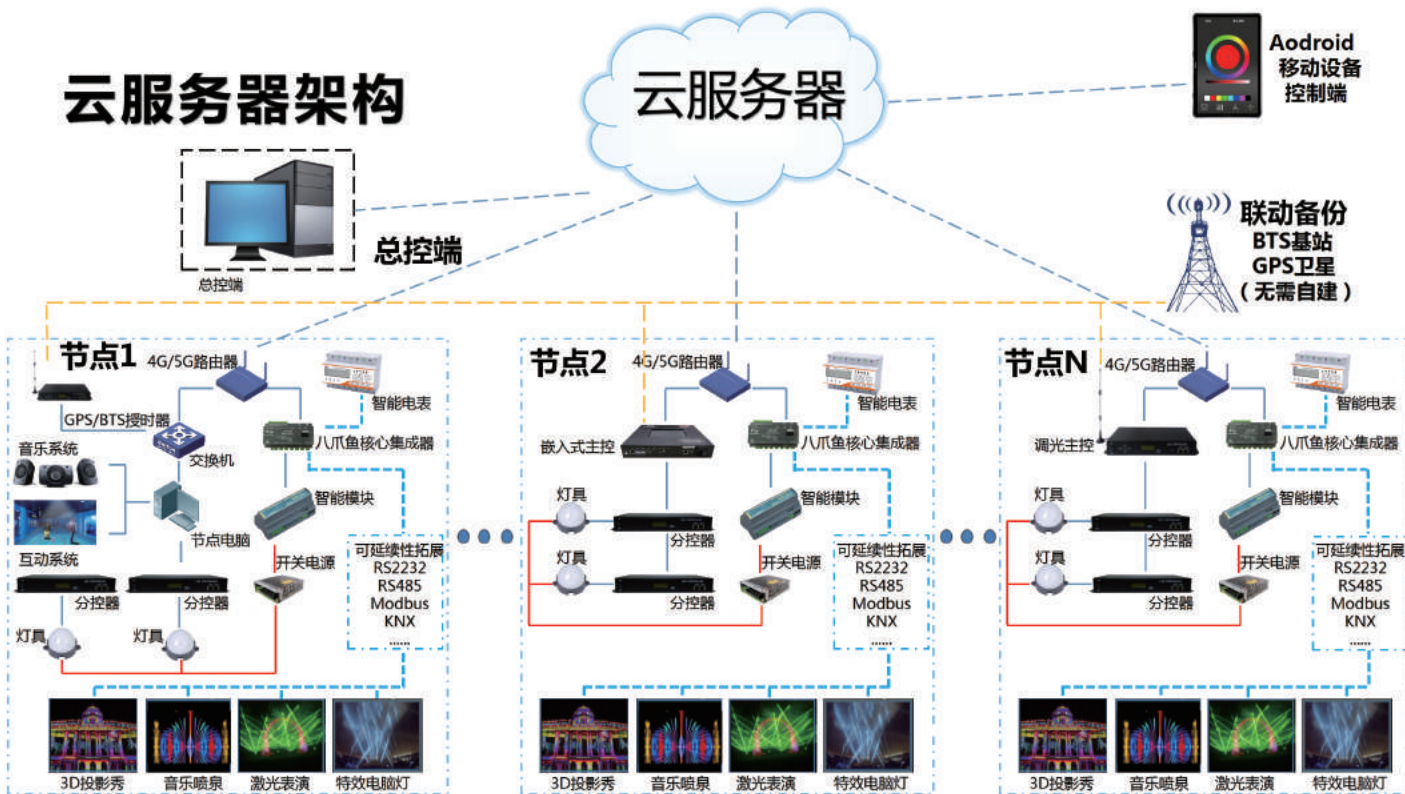
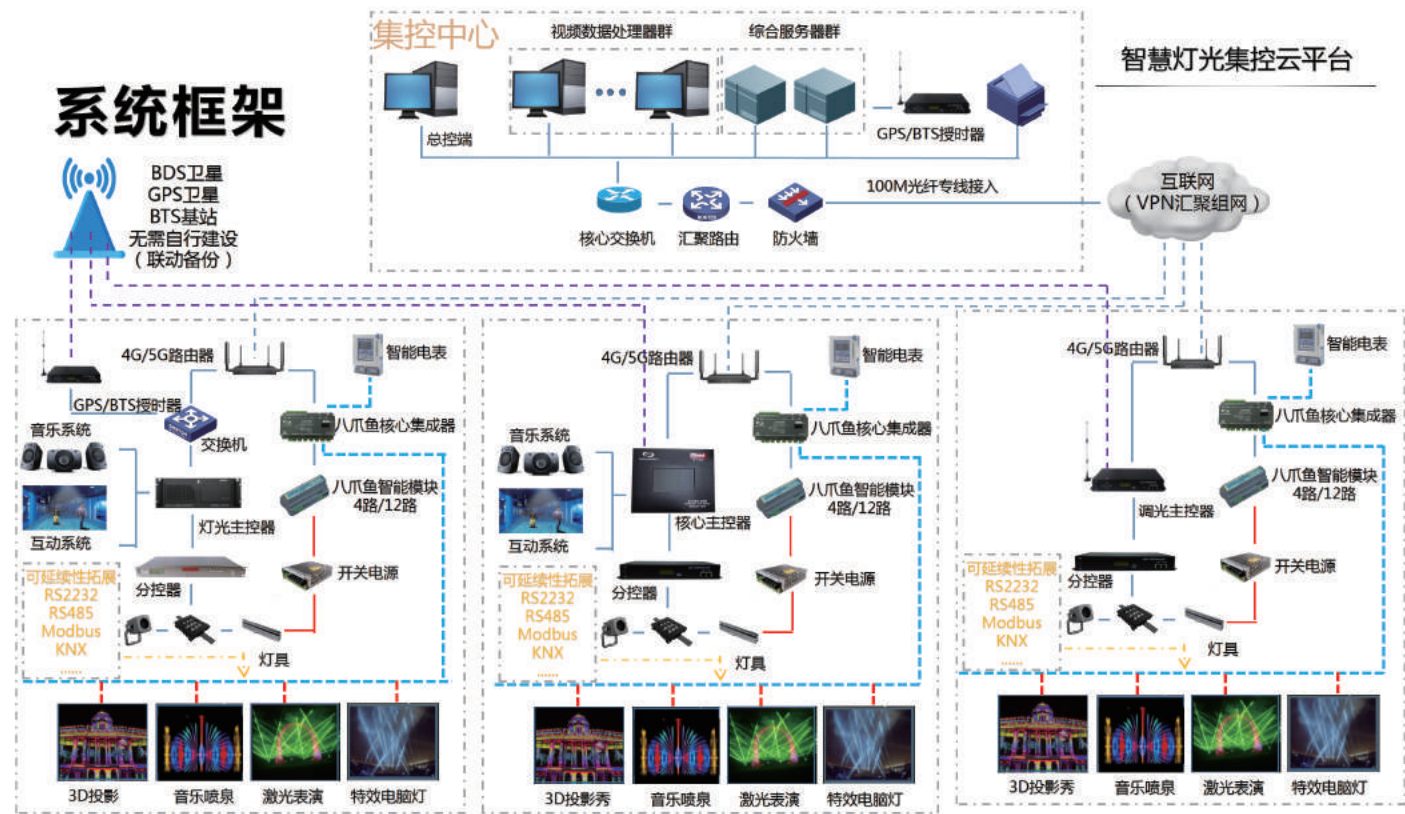
Name: Signal amplifier
Suitable products: DMX single wire parallel products, serial products
Specifications: length 20CM (the length of the cable can be customized)



名称: L003几字型材
适合产品: JD42点光源
规格: 10孔/米 (开孔数可定制)
开孔尺寸: $\varnothing 35.9\text{mm}$

Name: L003 profile
Suitable product: JD42 point light source
Specification: 10 holes / meter (Number of openings can be customized)
Opening size: $\varnothing 35.9\text{mm}$

4G云控系统
4G cloud control system



技术优势
Technical advantages

01强大的接入能力

瑞控云平台提供强大的接入能力,并提供Cs、BS双模式架构,适用不同的功能需求,无限级节点接入框架,避免因接入节点过多,导致系统奔溃和数据丢失,确保系统稳定、可靠。

01Strong access capability

The Ruikong cloud platform provides powerful access capabilities, and provides CS and BS dual-mode architectures, which are suitable for different functional requirements, and an unlimited node access framework to avoid system crashes and data loss due to too many access nodes, to ensure The system is stable and reliable.

02强大数据处理能力

瑞控云控系统采用分布式管理系统,将诸多系统的数据融合,并将大数据处理框架部署在核心服务器、分控中心和节点终端,分别具有强大的数据处理能力。

02Strong data processing capabilities

Ruikong cloud control system adopts a distributed management system, which integrates the data of many systems, and deploys the big data processing framework in the core server, sub-control center and node terminal. Each terminal has powerful data processing capabilities.

03故障预警与报错

智慧云控系统采用主动式智能系统独立算法,实现了对故障的智能化发现、诊断和告警,实现了全程无人参与,智能识别项。

03Fault warning and error reporting

The intelligent cloud control system adopts the independent algorithm of the active intelligent system, which realizes the intelligent discovery, diagnosis and warning of faults, and realizes the whole process of unattended and intelligent identification of items.

04一体化集控管理平台

瑞控云平台提供强大的一体化管理,支持一键管理。并支持智能定时管理;避免传统机房系统庞大复杂、无法统一协同管理,需要各类型协议对接一级多系统学习过程。

04Integrated centralized control management platform

Ruikong Cloud Platform provides powerful integrated management and supports one-click management. It also supports intelligent timing management; avoids the traditional computer room system being huge and complex and unable to be unified and coordinated for management, Various types of protocols need to be connected to the first-level multi-system learning process.

05网络安全防护

瑞控云系统提供、专业网络设备防护、安全数据加密、数字签名认证、提供国家信息中心网络通讯专业测评检测。有效规避黑客攻击,导致类容篡改风险。提供网络安全防护顾问服务。

05Network Security Protection

Ruikong cloud system provides professional network equipment protection, secure data encryption, digital signature certification, and provides professional evaluation and testing for network communications of the National InformationCenter. Effectively avoid black Guest attacks, leading to the risk of tampering with the class content. Provide network security protection consulting services.

06数字可视化展示平台

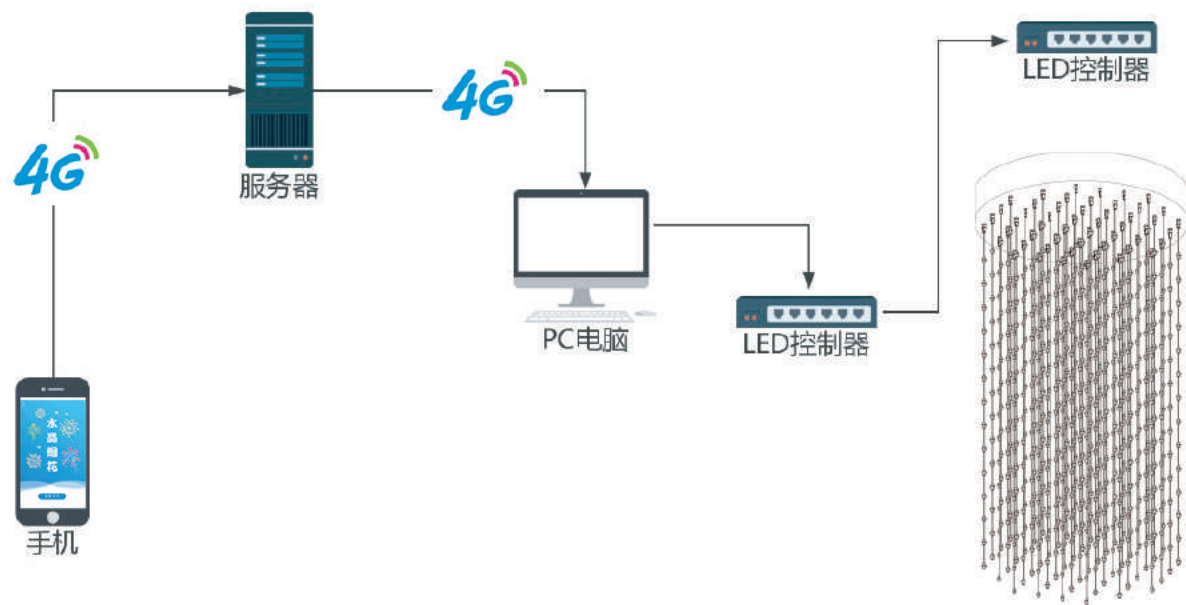
可视化数据界面,直观展示项目运营监控、运维管理、故障报错、能量监控、实时派工单等实时监控。

06Digital visualization display platform

The visual data interface visually displays real-time monitoring such as project operation monitoring, operation and maintenance management, fault reporting, energy monitoring, and real-time dispatching orders.

智能人机互动控制方案 ●●●●●●●●

Intelligent human-computer interaction control scheme



系统介绍

智能人机互动控制方案，是一种由升宏光电自主研发的集灯光夜景观赏与人机互动娱乐体验的控制系统，只需扫描或关注二维码，通过手机APP平台，就能在显示屏上实现APP内喜欢的个性图案。

System introduction

The intelligent human-machine interactive control scheme is a control system developed by SH LED, which integrates the lighting night view and human-computer interactive entertainment experience. It only needs to scan or pay attention to the QR code and can display on the mobile APP platform. Implement the favorite personality pattern in the APP.

应用场景

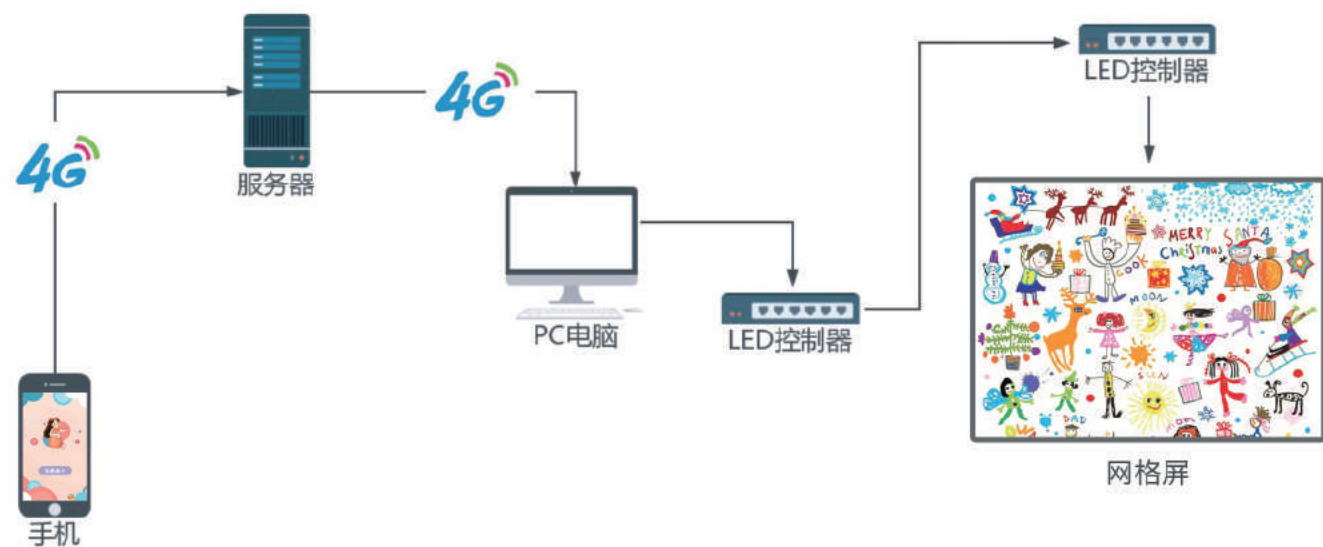
用于高层楼体楼体里面屏、灯光节、大型商场、酒店、城市广场、主题公园、商业街、娱乐场所旅游景区等人口密集区场所，实现夜景观赏及人机互动娱乐体验

Application

Used in high-rise buildings, screen, lighting festival, large shopping mall, hotel, city square, theme park, commercial street, entertainment venue scenic spot and other densely populated area to achieve night viewing and interactive entertainment experience

智能涂鸦互动控制方案

Smart Graffiti Interactive Control Solution



系统介绍

网页涂鸦互动项目，是一种由升宏光电自主开发的集网页涂鸦娱乐和人机互动娱乐的控制系统，只需打开对应网站，通过电脑浏览器或手机浏览器，就能在显示屏上实现显示自定义涂鸦内容。

System introduction

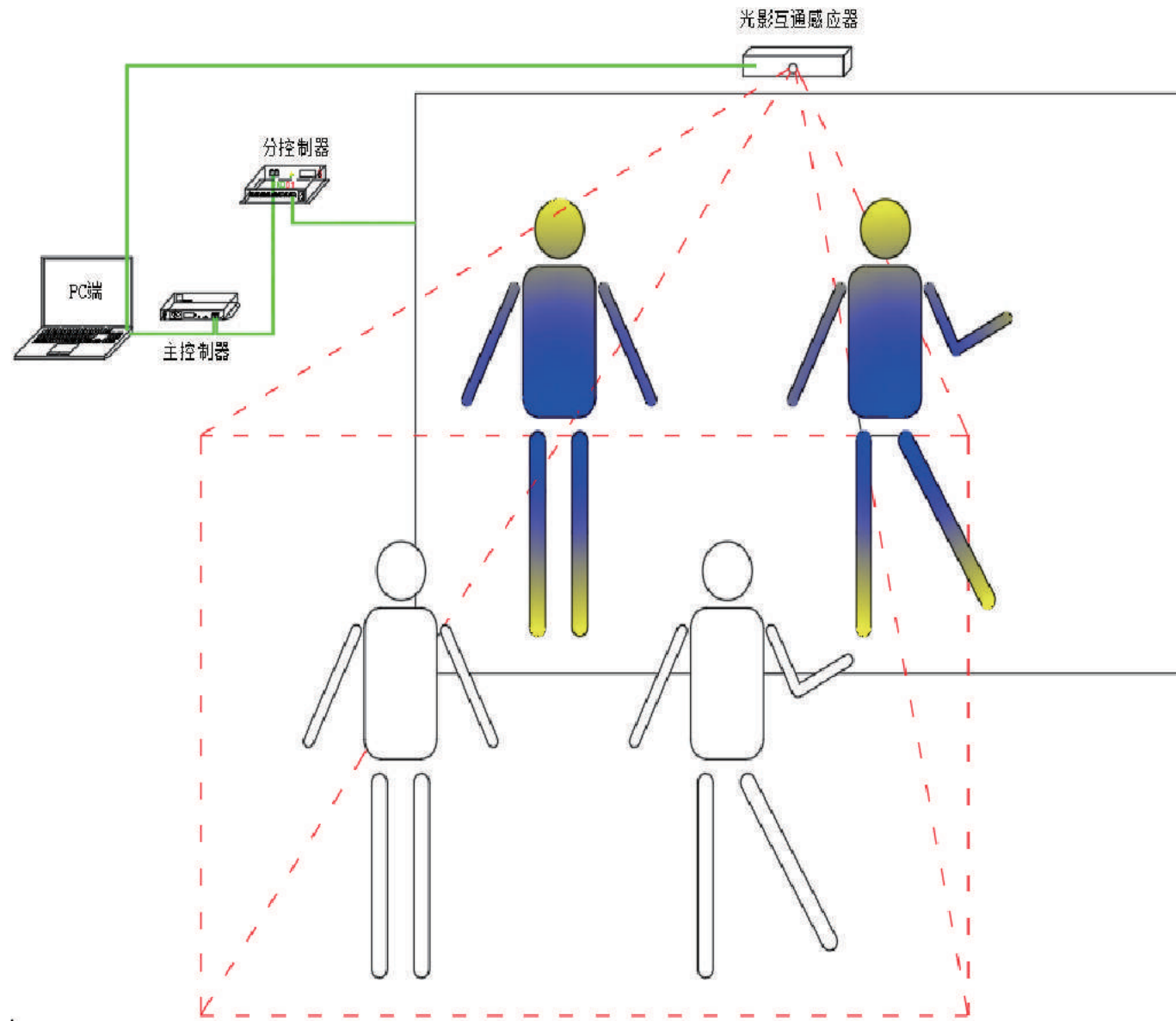
Web graffiti interactive project is a control system that integrates web graffiti entertainment and human-computer interactive entertainment independently developed by Shenghong Optoelectronics. Just open the corresponding website and use a computer browser or mobile phone browser to display custom graffiti content on the display.

应用场景

用于高层楼体楼体里面屏、灯光节、大型商场、城市广场、主题公园、商业街、旅游景区等人口密集区场所，实现夜景观赏及人机互动娱乐体验

Application

Used in high-rise buildings, interior displays, lighting festivals, large shopping malls, city squares, theme parks, commercial streets, Places in densely populated areas such as tourist attractions to achieve night view viewing and interactive entertainment experience



系统介绍

智能光影互动控制方案，是一种与人有互动的灯光控制系统，它通过感应人体各种动作和位置，实现与灯光的互动，光影探测器通过探测人体的动作、位置等信息，将探测的信号经过软件处理后转换为灯光控制系统的数据，并将数据传输给灯光控制系统，实现灯光与人体的统一变化

System introduction

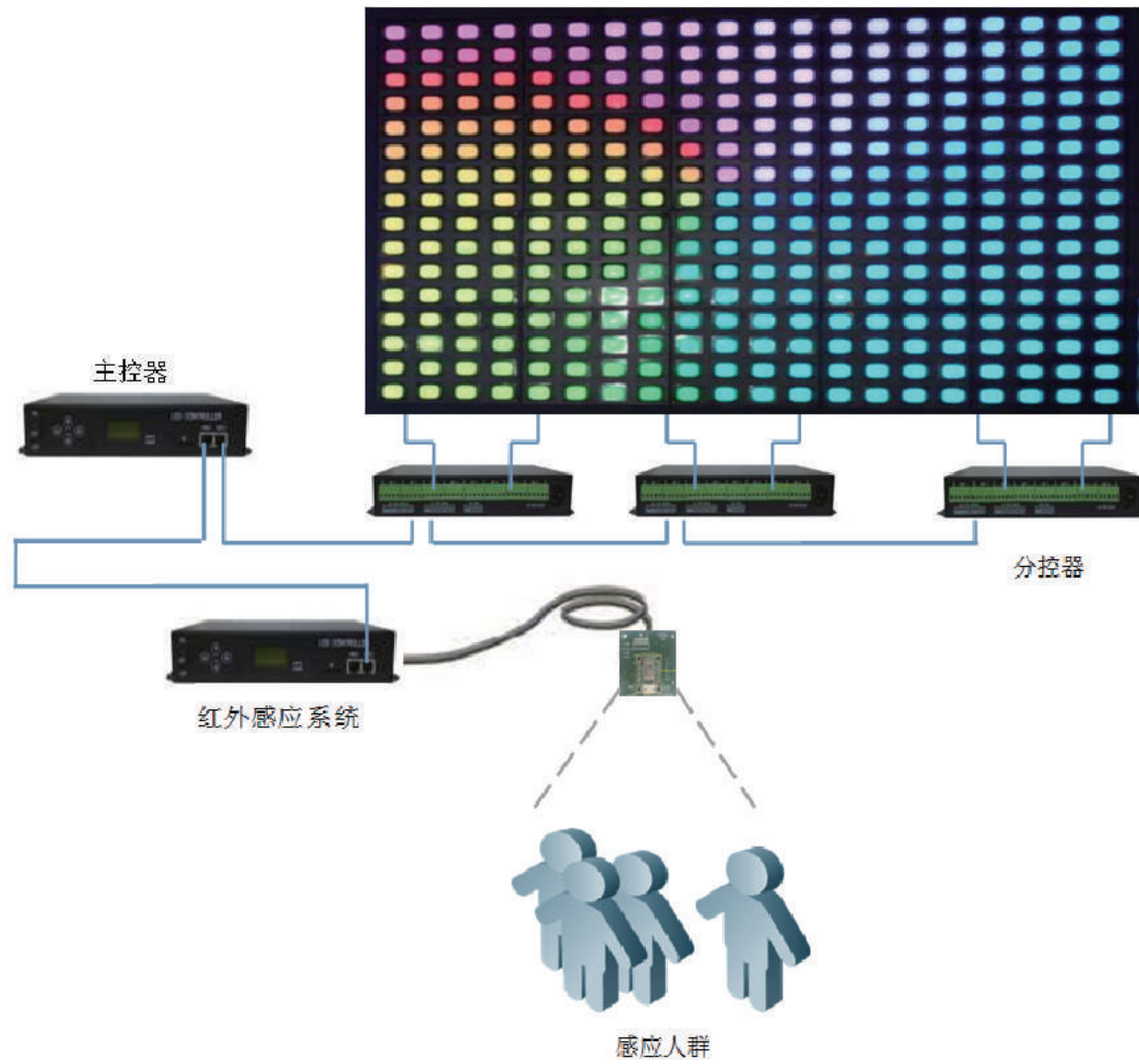
The intelligent light and shadow interactive control scheme is a kind of lighting control system that interacts with people. It realizes the interaction with the light by sensing various movements and positions of the human body. The light and shadow detector will detect the motion, position and other information of the human body. After the signal is processed by the software, it is converted into the data of the lighting control system, and the data is transmitted to the lighting control system to realize the unified change of the light and the human body

应用场景

用于高层楼体楼体里面屏、灯光节、大型商场、酒店、城市广场、主题公园、商业街、娱乐场所旅游景区等人口密集区场所，实现夜景观赏及人机互动娱乐体验

Application

Used in high-rise building, screen, lighting festival, large shopping mall, hotel, city squares, theme park, commercial street, entertainment venue Scenic spots and other densely populated areas to achieve night viewing and interactive entertainment experience



系统介绍

智能人体雷达感应控制方案，是一种与人有互动的灯光控制系统，它通过感应人体，实现与灯光的互动，雷达感应探测器接收到人体后，将探测的信号经过软件处理后转换为灯光控制系统的数据，并将数据传输给灯光控制系统，实现灯光与人体统一变化。

System introduction

The intelligent human body radar sensing control scheme is a kind of lighting control system that interacts with human beings. It realizes interaction with the light by sensing the human body. After the radar sensing detector receives the human body, the detected signal is converted into light by software processing. Control the system's data and transmit the data to the lighting control system to achieve uniform changes in lighting and the human body.

应用场景

用于高层楼体楼体里面屏、灯光节、大型商场、酒店、城市广场、主题公园、商业街、娱乐场所旅游景区等人口密集区场所，实现夜景观赏及人机互动娱乐体验。

Application

Used in high-rise building, screen, lighting festival, large shopping mall, hotel, city square, theme park, commercial street, entertainment venue Scenic spots and other densely populated areas to achieve night viewing and interactive entertainment experience.

控制器 ●●●●●●●●
Controller



SH-BF21B

SH-BF12B控制器特点

1. 带载量最大支持 15 万像素点，极大满足客户项目的需求；
2. 控制器带按键和外配遥控器，可实现节目片段选择、整体亮度调整、白平衡调整、播放速度调整等；
3. 采用以太网接口和 UDP 网络协议传输稳定，最大传输距离 100 米；
4. 支持多台脱机主控远程在线下载、更新脱机节目；
5. 可支持不同类型灯具以及不同协议灯具混用，兼容性强。



SH-803TC

SH-803TC控制器特点

1. 可以联机使用，也可以脱机使用，并且自动切换。
2. 每台控制17万点，最多连接255个分控。H801RA最大控制3412点，最多输出四个端口；H802RA最大控制4096点，最多输出四个端口；H801RC最大控制8192点，最多输出八个端口。
3. SD卡支持FAT32、FAT16格式，最大容量为64G字节及以上，最多允许64个DAT文件。
4. 可连接DMX控制台，也可通过H802RA对DMX驱动芯片编地址。
5. 支持单一文件播放和所有文件循环播放，播放速度可调范围是1—100帧每秒，亮度可调范围是0—16。



SH-C003

SH-C003控制器特点

1. 控制器输出支持标准 USITT DMX512/1990 通用协议和扩展 DMX512 协议；
2. 三基色独立亮度控制，使精确调整白平衡更加简单有效；
3. 精准伽马矫正算法，更加符合人体视觉感光特性，显示色彩更充分，丰富；
4. 最大支持 120 换帧频率以保证画面高清显示和 3D 显示需求；
5. 采用以太网接口和 UDP 网络协议传输稳定，最大传输距离 100 米；



SH-C004

SH-C004控制器特点

1. 八个输出端口，最多控制8192像素点。每个端口最大控制点数为 8192除以实际使用端口数。端口数可设置为一、二、四、八。
2. 可联可脱，可以直接连接到电脑网卡，也可以连接到脱机和联机主控，还可直接连接交换机和光电转换器。
3. 同步性能高，相邻分控的传输延迟在400纳秒以内，也就是说级联100个分控，延迟在40微秒内。图像无撕裂，无马赛克现象。
4. 单线驱动芯片可设置为TTL输出或差分输出。

分控箱 ●●●●●●●●
Sub-control box



CP01

SH-CP01分控箱特点

1. 单台带载 256×256 (PWM IC) 像素，最多支持 24 组并行数据，最多支持 128 组串行数据。
2. 支持逐点亮色度校正，有效消除色差，显著提升 LED 画面显示的一致性，给用户带来更细腻的画面。
3. 支持显示屏画面以 90°的倍数进行旋转，画面变化更加丰富，提升用户的视觉体验。
4. 硬件设计和软件设计充分考虑用户部署、运行和维护时的场景，使部署更容易，运行更稳定、维护更高效。
5. 采用以太网接口和 UDP 网络协议传输稳定，最大传输距离 100 米；可用分控、网络中继器、光电转换作为中继。
6. 双网络接口，可以实现控制器间级联；控制器自动检测，软件直观显示连接状态；
7. 内置700W电源，无需外接电源，施工方便容错率低



CP11

SH-CP11分控箱特点

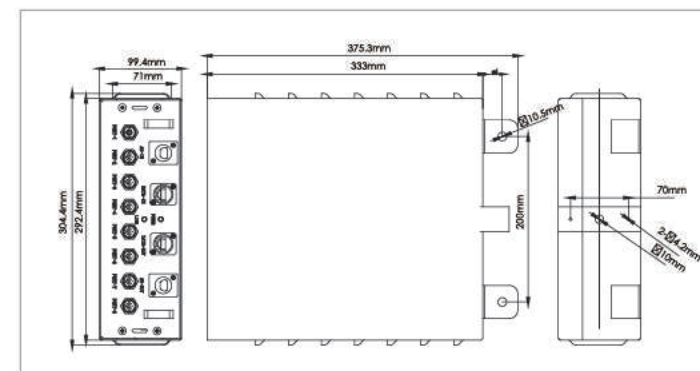
1. 控制器输出支持标准 USITT DMX512/1990 通用协议和扩展 DMX512 协议；
2. 三基色独立亮度控制，使精确调整白平衡更加简单有效；
3. 精准伽马矫正算法，更加符合人体视觉感光特性，显示色彩更充分，丰富；
4. 最大支持 120 换帧频率以保证画面高清显示和 3D 显示需求；
5. 采用以太网接口和 UDP 网络协议传输稳定，最大传输距离 100 米；可用分控、网络中继器、光电转换作为中继。
6. 双网络接口，可以实现控制器间级联；控制器自动检测，软件直观显示连接状态；
7. 8 端口输出，单口输出标准 512 通道，扩展协议带载点数由客户根据芯片特性自行测试；
8. 内置700W电源，无需外接电源，施工方便容错率低



CP21

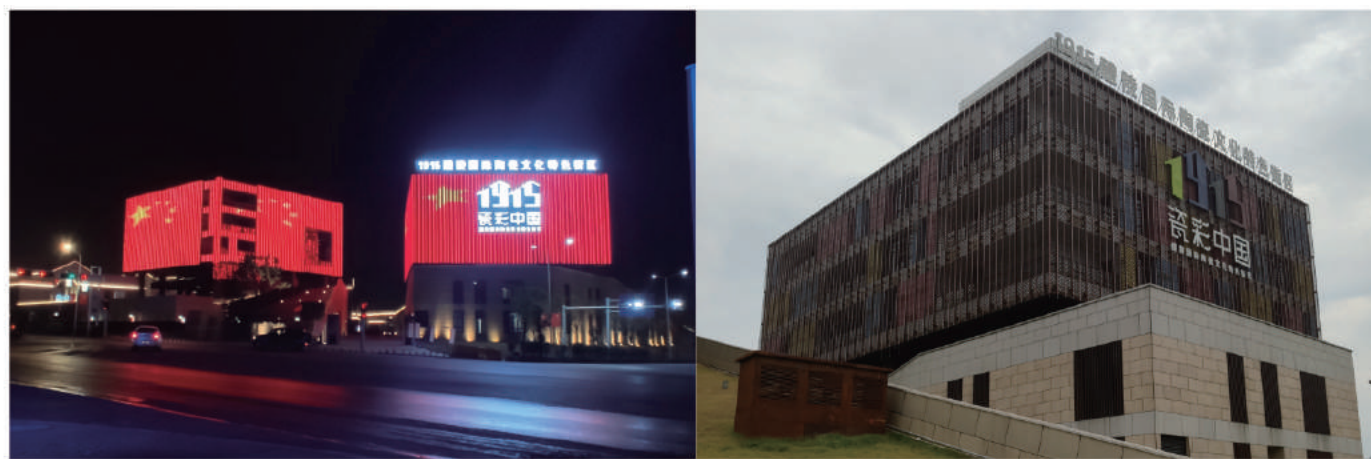
SH-CP21分控箱特点

1. 八个输出端口，最多控制8192像素点。每个端口最大控制点数为 8192除以实际使用端口数。端口数可设置为一、二、四、八。
2. 可联可脱，可以直接连接到电脑网卡，也可以连接到脱机和联机主控(H802TB, H80xTC, H803TV)，还可直接连接交换机和光电转换器。
3. 同步性能高，相邻分控的传输延迟在400纳秒以内，也就是说级联100个分控，延迟在40微秒内。图像无撕裂，无马赛克现象。
4. 控制效果好，灰度控制精确，256级以上灰度已作硬Gamma处理。
5. 传输距离远，传输信号采用标准以太网协议，标称距离为100米。可用分控、网络中继器、光电转换作为中继。
6. 扫描时钟速度可调100K - 50M Hz。
7. 采用灰度技术和反伽马矫正技术，使实际显示的效果更符合人眼的生理感觉。
8. 内置700W电源，无需外接电源，施工方便容错率低



CP01/CP11/CP21尺寸图

媒体立面案例 ●●●●●●
Media Facade Lighting

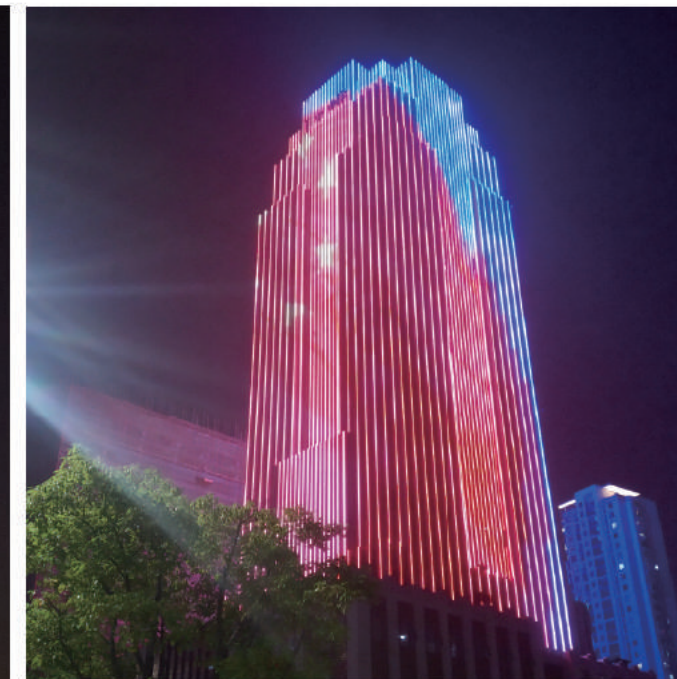


项目名称：醴陵瓷彩中国
开工日期：2019年8月

项目地点：湖南株洲
竣工日期：2019年9月

项目产品：JD42/DMX512全彩点光源

媒体立面案例 ●●●●●●
Media Facade Lighting



项目名称：明华国际
开工日期：2018年2月

项目地点：浙江杭州
竣工日期：2018年3月

项目使用产品：JD33/DMX512全彩点光源

媒体立面案例 ●●●●●●●●
Media Facade Lighting



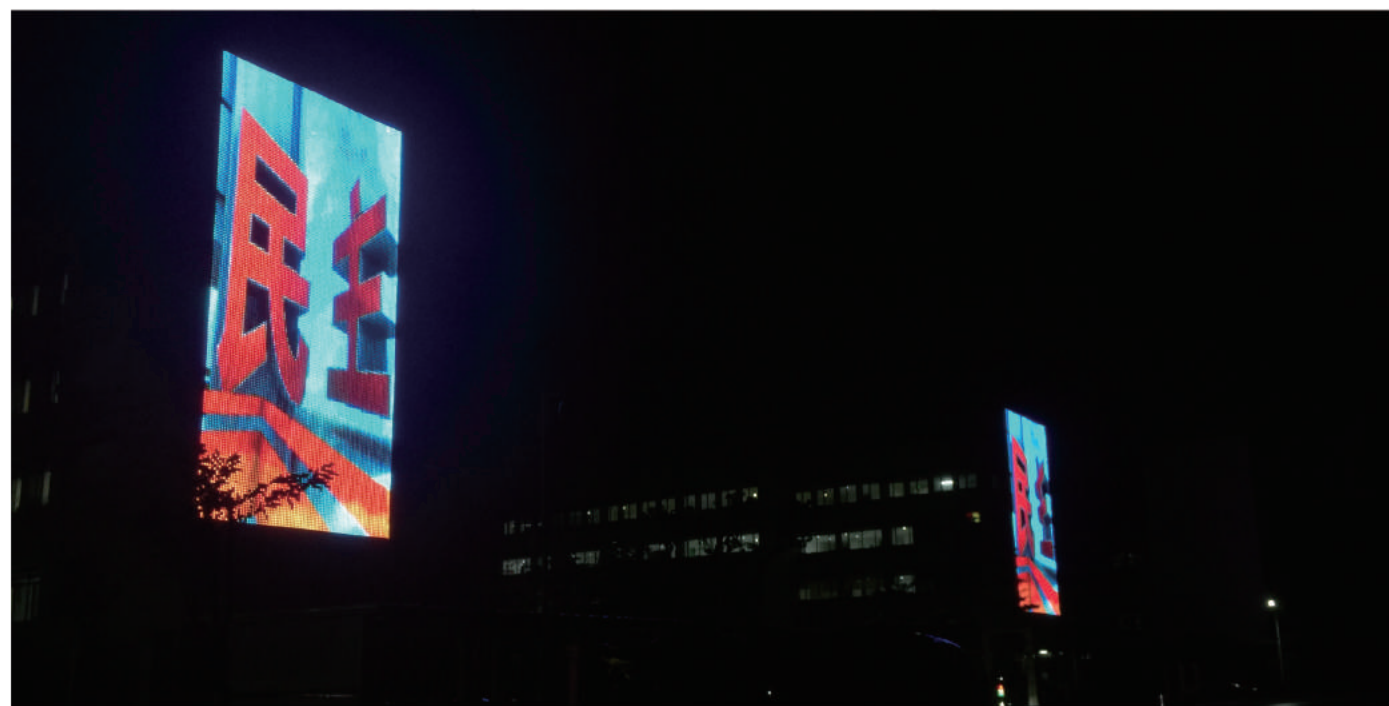
项目名称：万源紫瑞园 项目地点：四川万源市 项目使用产品：JD40/DMX512点光源
开工日期：2018年6月 竣工日期：2018年7月

媒体立面案例 ●●●●●●●●
Media Facade Lighting



项目名称：辛集天润广场 项目地点：河北石家庄 项目使用产品：SH-JD42/DMX512全彩点光源
开工日期：2018年11月 竣工日期：2018年12月

媒体立面案例 ●●●●●●
Media Facade Lighting

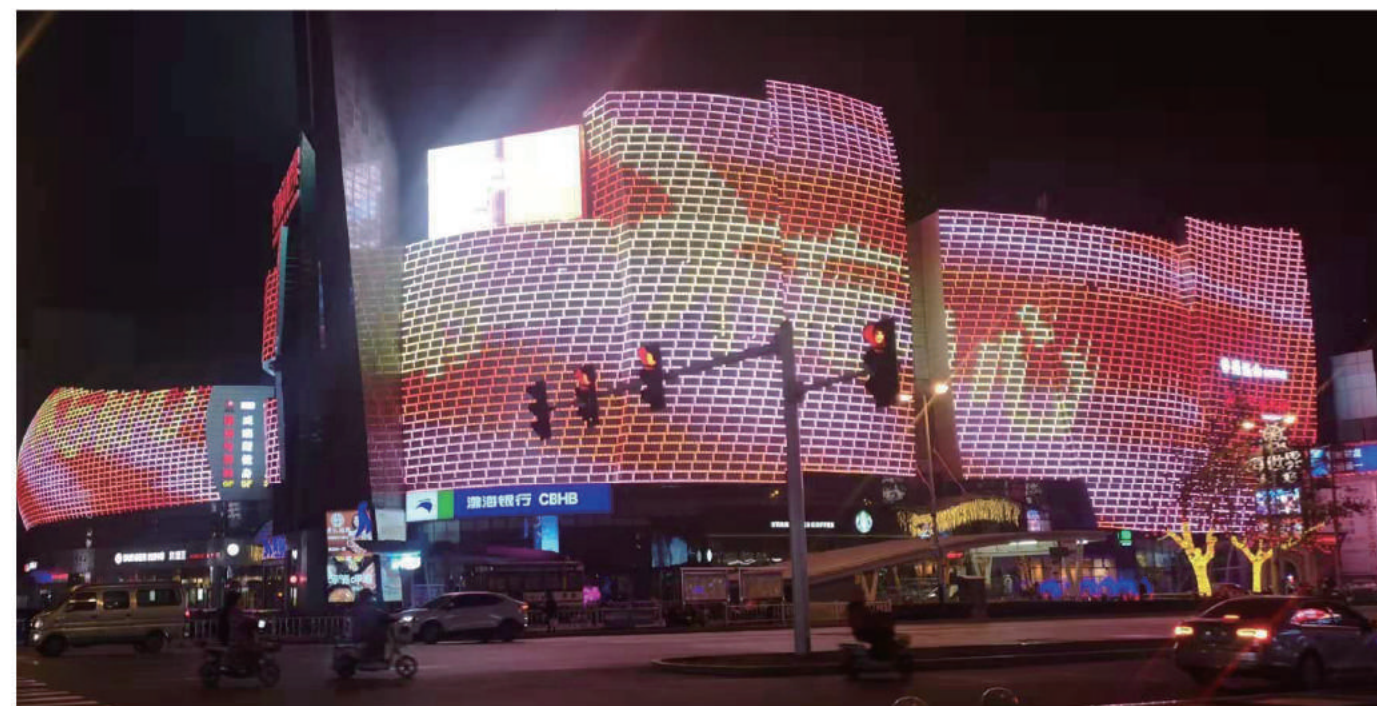


项目名称:南沙政府大楼项目
开工日期:2021年6月

项目地点:广州
竣工日期:2021年7月

项目使用产品:E10A

媒体立面案例 ●●●●●●
Media Facade Lighting

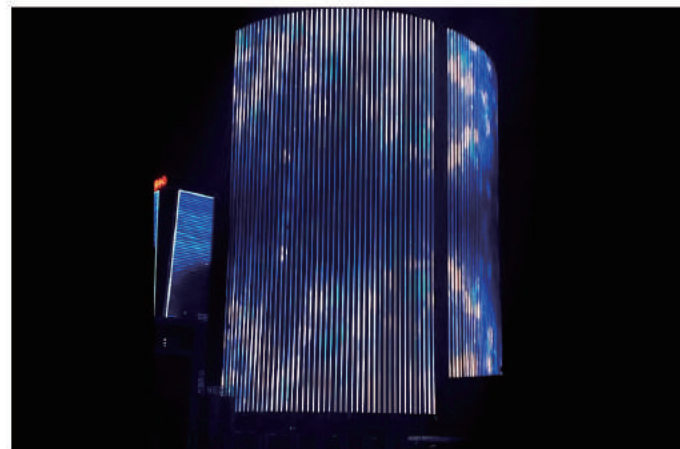
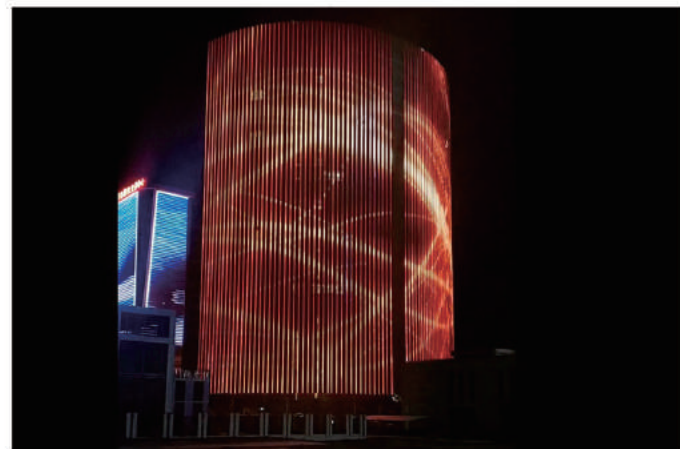


项目名称:天山海世界
开工日期:2019年1月

项目地点:河北石家庄
竣工日期:2019年2月

项目使用产品:SH-JD42/DMX512全彩点光源

媒体立面案例 ●●●●●●●●
Media Facade Lighting



项目名称: 淄博汇美大厦
开工日期: 2019年4月

项目地点: 山东淄博
竣工日期: 2019年5月

项目产品: SH-JD42/DMX512全彩点光源

媒体立面案例 ●●●●●●●●
Media Facade Lighting

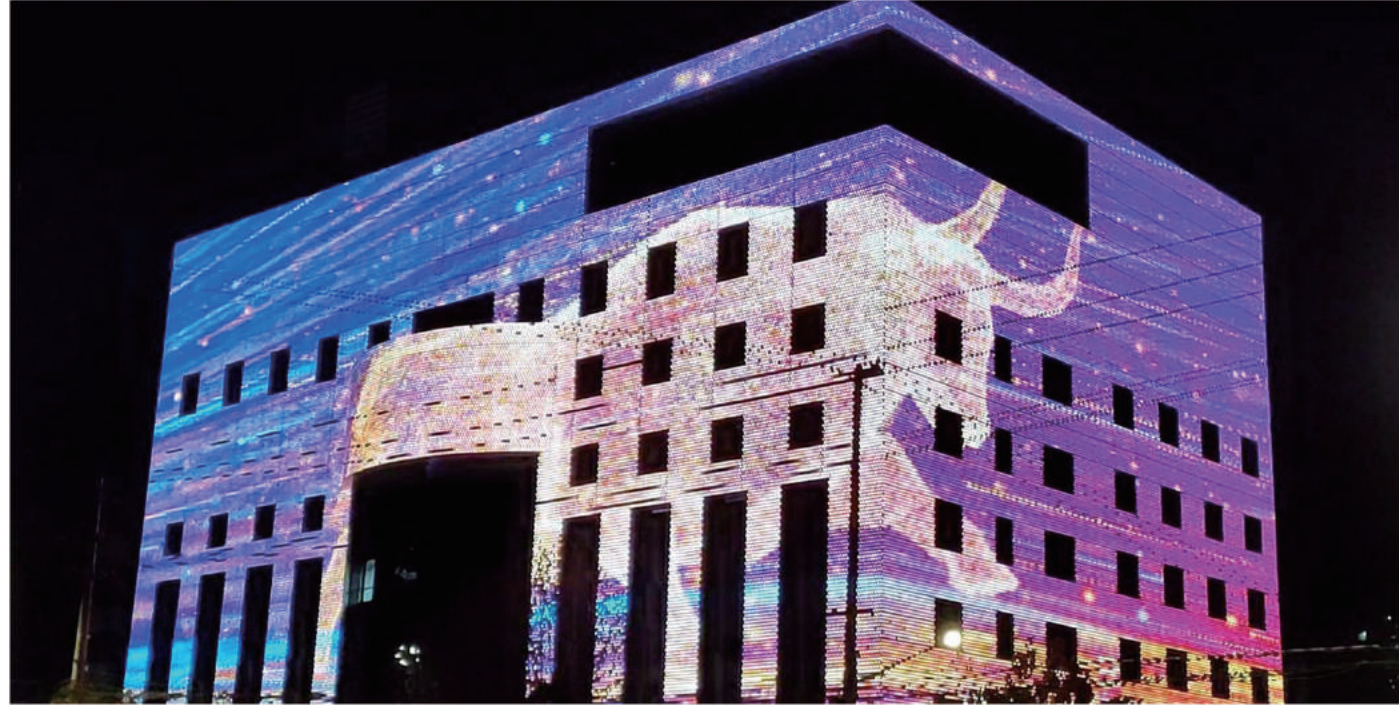


项目名称: 湖北宜昌安琪大楼
开工日期: 2021年1月

项目地点: 河北何家庄
竣工日期: 2021年2月

项目使用产品: JD33全彩点光源

媒体立面案例 ●●●●●●
Media Facade Lighting



项目名称: 陕西宝鸡长安银行
项目地点: 山西宝鸡
项目使用产品: D16-RGB/DMX512/12V/0.6W
开工日期: 2021年1月
竣工日期: 2021年2月

媒体立面案例 ●●●●●●
Media Facade Lighting



项目名称: 阿布扎比政府楼体亮化
项目地点: 阿联酋阿布扎比
项目使用产品: SH-JD50全彩点光源
开工日期: 2018年7月
竣工日期: 2018年8月

媒体立面案例 ●●●●●●
Media Facade Lighting

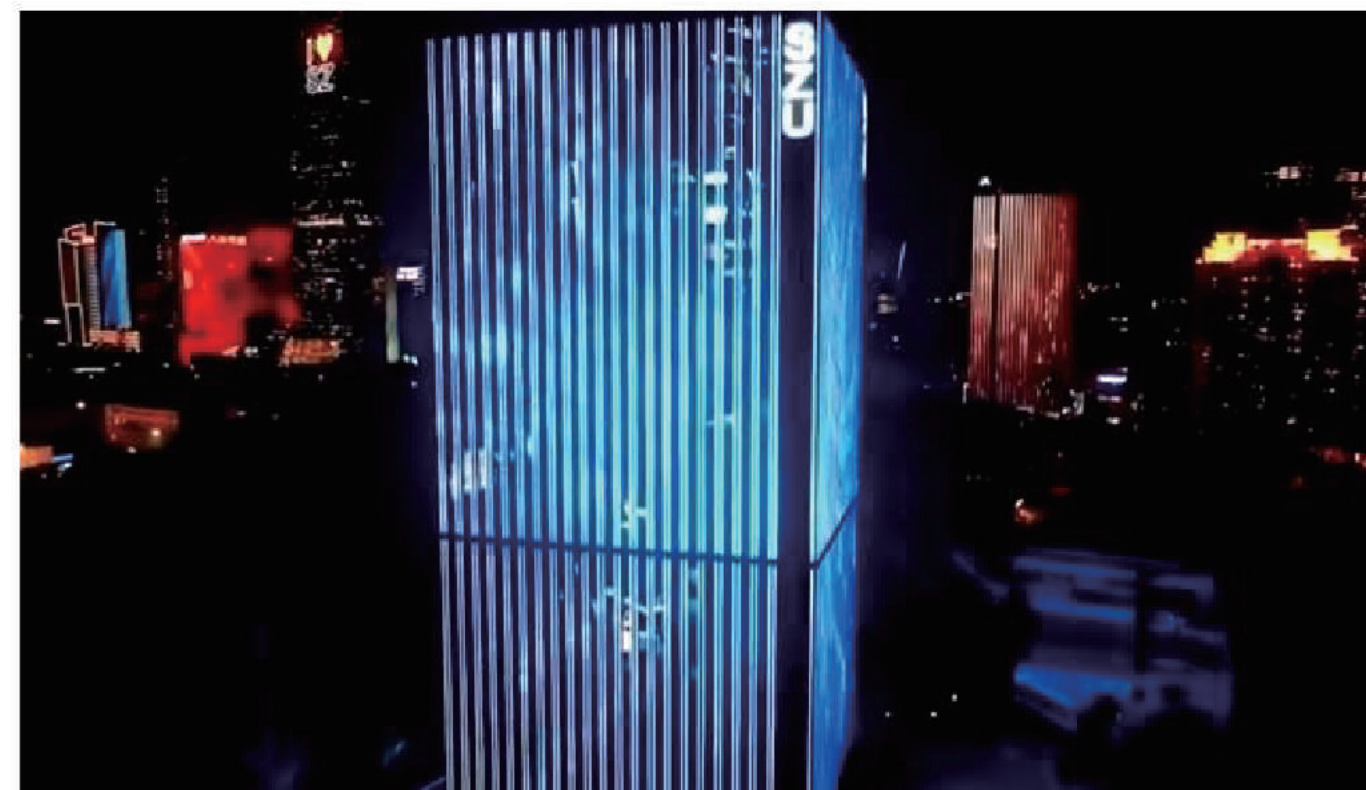


项目名称:万城都市广场
开工日期:2022年3月

项目地点:陕西商洛
竣工日期:2022年4月

项目使用产品:E10A 网格屏

媒体立面案例 ●●●●●●
Media Facade Lighting



项目名称:深圳大学科技园
开工日期:2021年7月

项目地点:深圳
竣工日期:2021年8月

项目使用产品:XD11A/RGBW

媒体立面案例 ●●●●●●
Media Facade Lighting

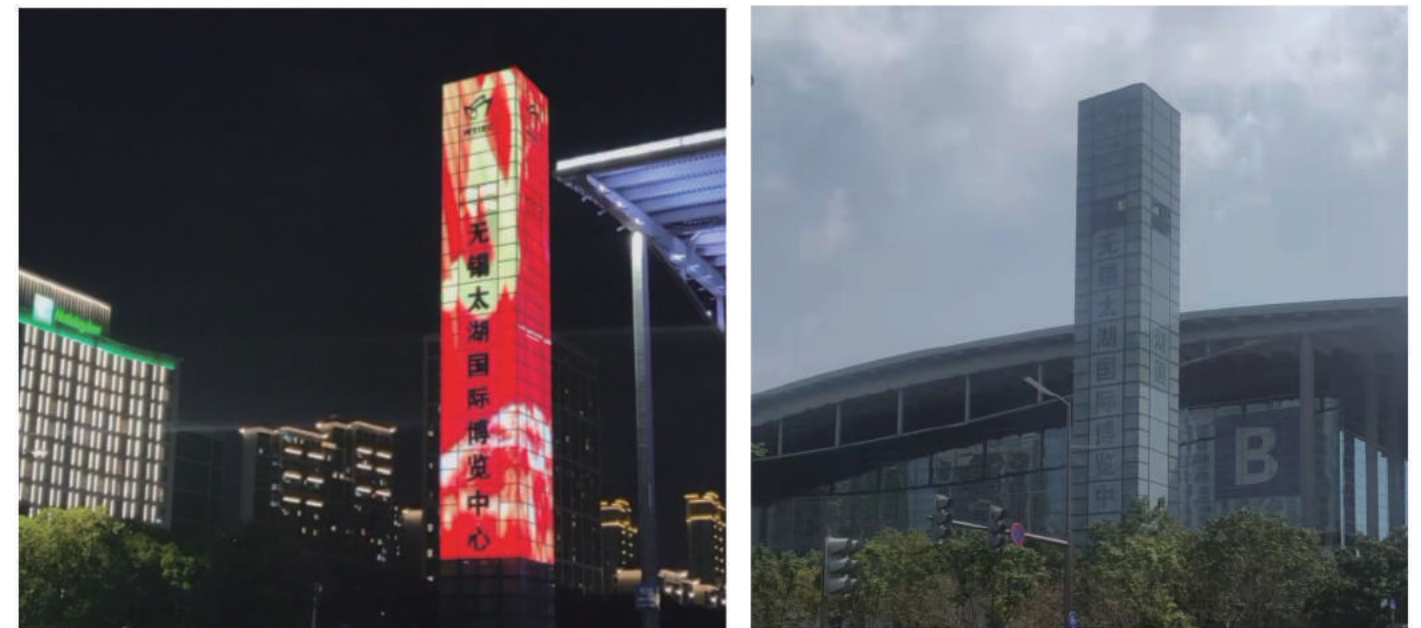


项目名称:石家庄中山路景观整治提升工程
开工日期:2019年11月

项目地点:河北何家庄
竣工日期:2020年12月

项目使用产品:JD33全彩点光源

媒体立面案例 ●●●●●●
Media Facade Lighting



项目名称:无锡太湖国际博览中心
开工日期:2021年9月

项目地点:江苏无锡
竣工日期:2021年10月

项目使用产品:E10A网格屏

媒体立面案例 ●●●●●●●●
Media Facade Lighting



项目名称: 易俗文化街
开工日期: 2021年8月

项目地点: 陕西西安
竣工日期: 2021年9月

项目使用产品: E10A

天幕案例 ●●●●●●●●
The skyfall lighting

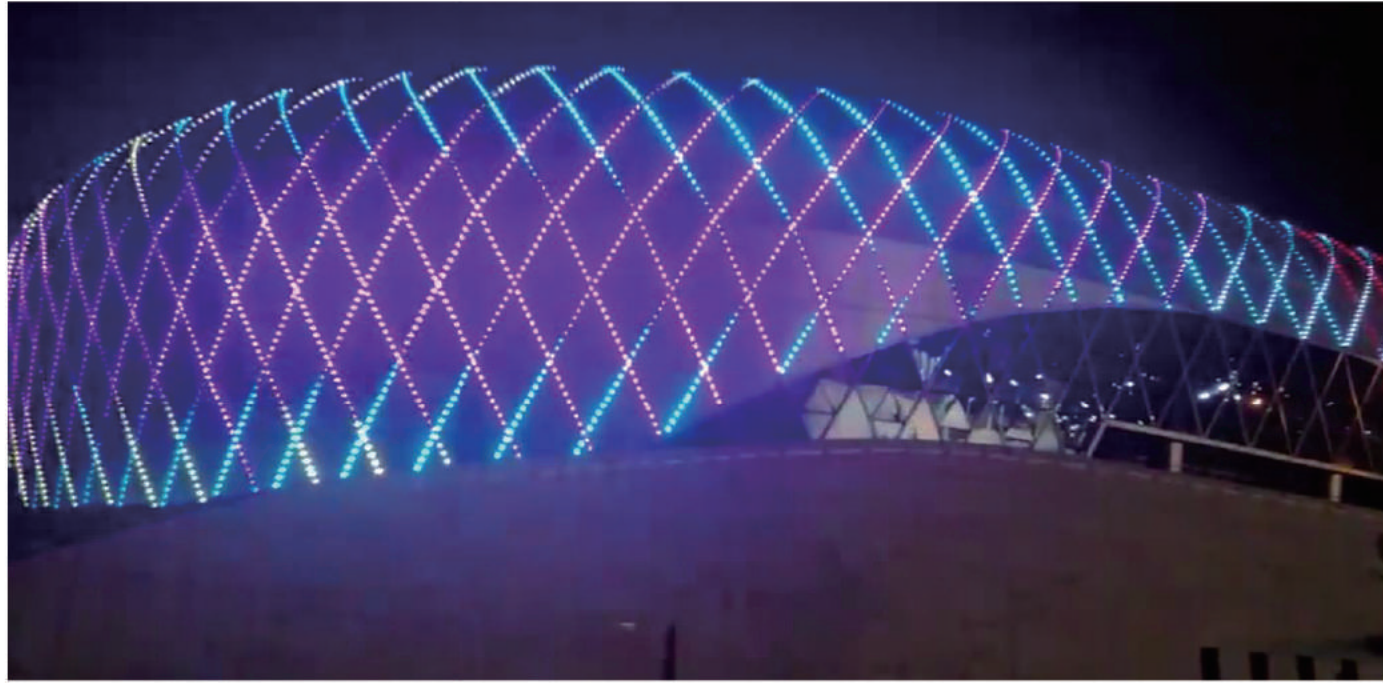


项目名称: 伏尔加格勒体育馆项目
开工日期: 2018年3月

项目地点: 俄罗斯伏尔加格勒
竣工日期: 2018年4月

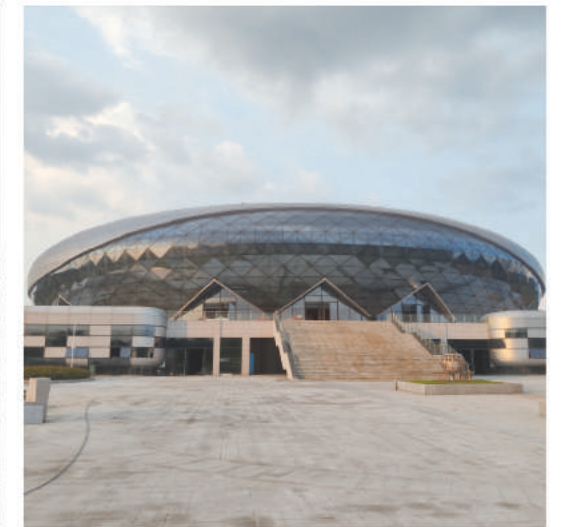
项目使用产品: SH-JD30 / LED 点光源

场馆项目案例 ●●●●●●
Venue lighting project



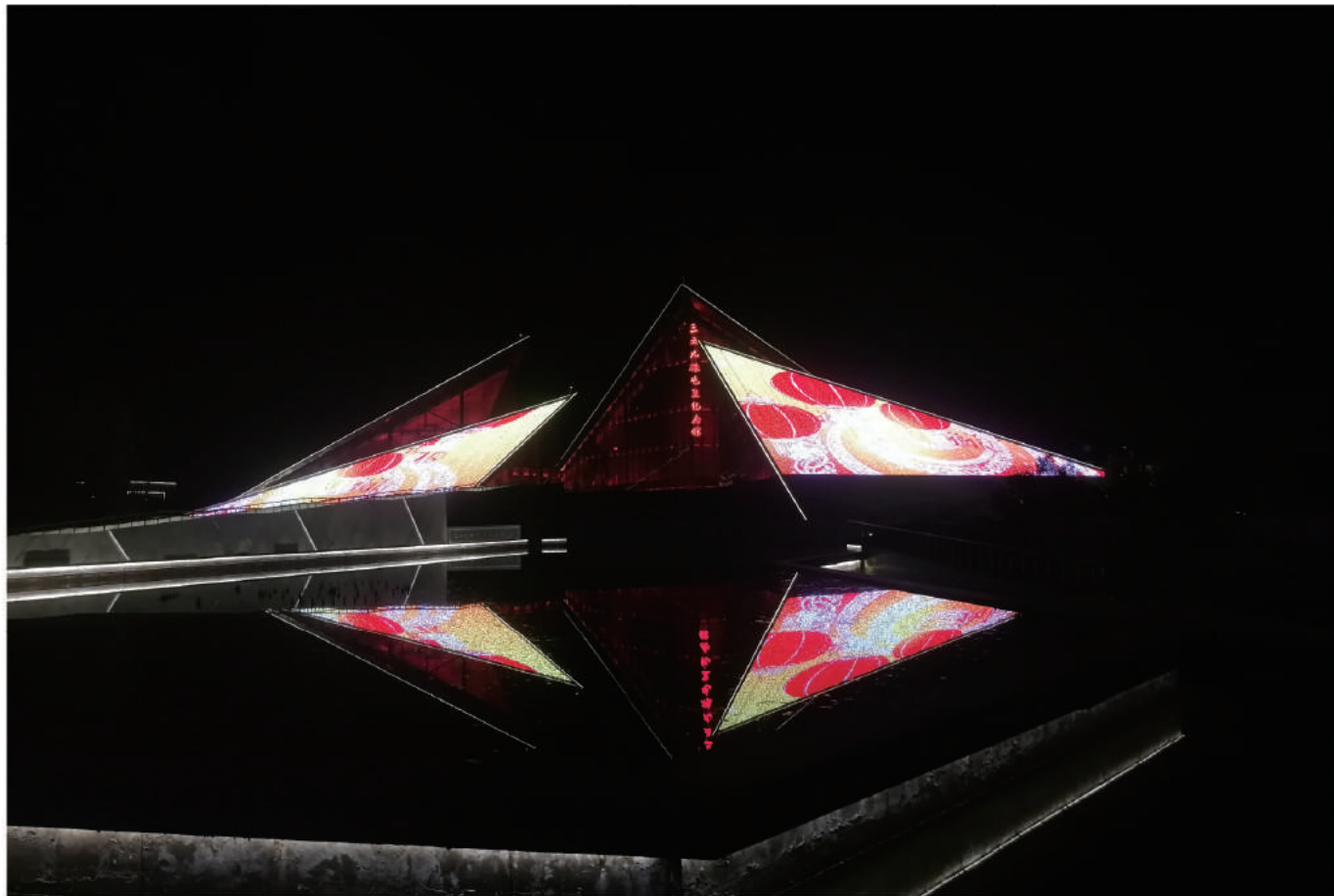
项目名称: 崇信县体育中心
开工日期: 2016年4月
项目地点: 甘肃平凉
竣工日期: 2016年5月
项目使用产品: SH-JD30全彩点光源

场馆项目案例 ●●●●●●
Venue lighting project



项目名称: 渠县体育馆
开工日期: 2020年8月
项目地点: 四川达州
竣工日期: 2020年9月
项目使用产品: JD42全彩点光源

场馆项目案例 ●●●●●●
Venue lighting project

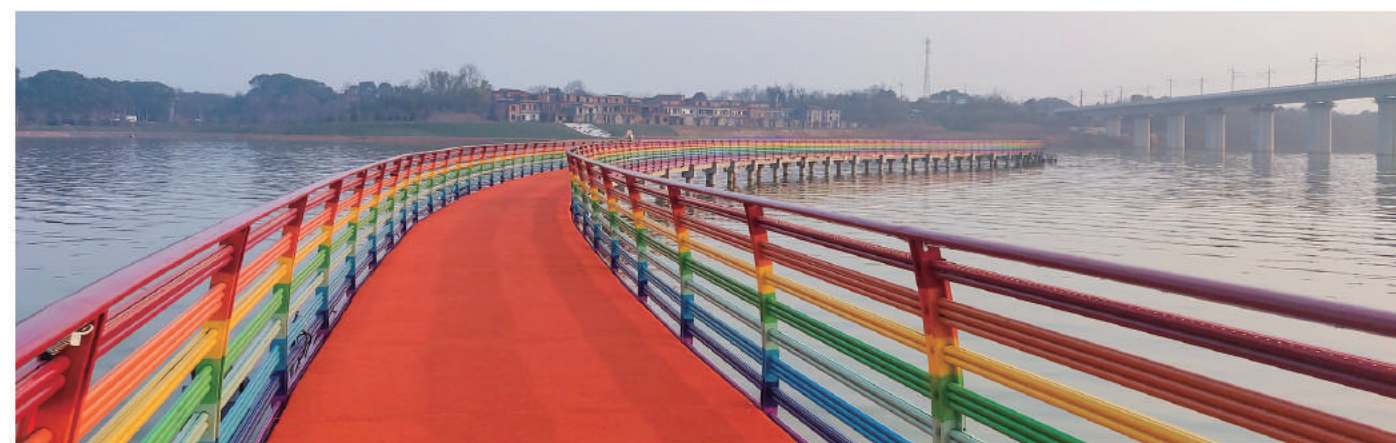


项目名称: 阿拉尔屯垦纪念馆
开工日期: 2019年9月

项目地点: 新疆阿拉尔屯垦
竣工日期: 2019年10月

项目产品: SH-JD42全彩点光源

桥梁案例 ●●●●●●
Bridge case



项目名称: 九江绿道二期码头
开工日期: 2021年12月26日

项目地点: 江西九江
竣工日期: 2022年1月4日

项目使用产品: JD22 /RGB/12V/0.7W/DMX512

桥梁案例 ●●●●●●
Bridge case



项目名称：云龙大桥
开工日期：2019年9月

项目地点：广西梧州
竣工日期：2019年10月

项目使用产品：SH-JD42 / 全彩点光源

桥梁案例 ●●●●●●
Bridge case



项目名称：泰国塔普河大桥
开工日期：2019年3月

项目地点：泰国
竣工日期：2019年4月

项目产品：SH-O100 3D造型灯

特色建筑案例 ●●●●●●●●
Glass screen wall project



项目名称:水韵景观柱
开工日期:2020年10月
项目地点:重庆云阳
竣工日期:2020年11月
项目使用产品:E10A

特色建筑案例 ●●●●●●●●
Glass screen wall project



项目名称:江苏金湖县城南文化艺术中心
开工日期:2019年10月



项目地点:江苏淮安
竣工日期:2019年11月

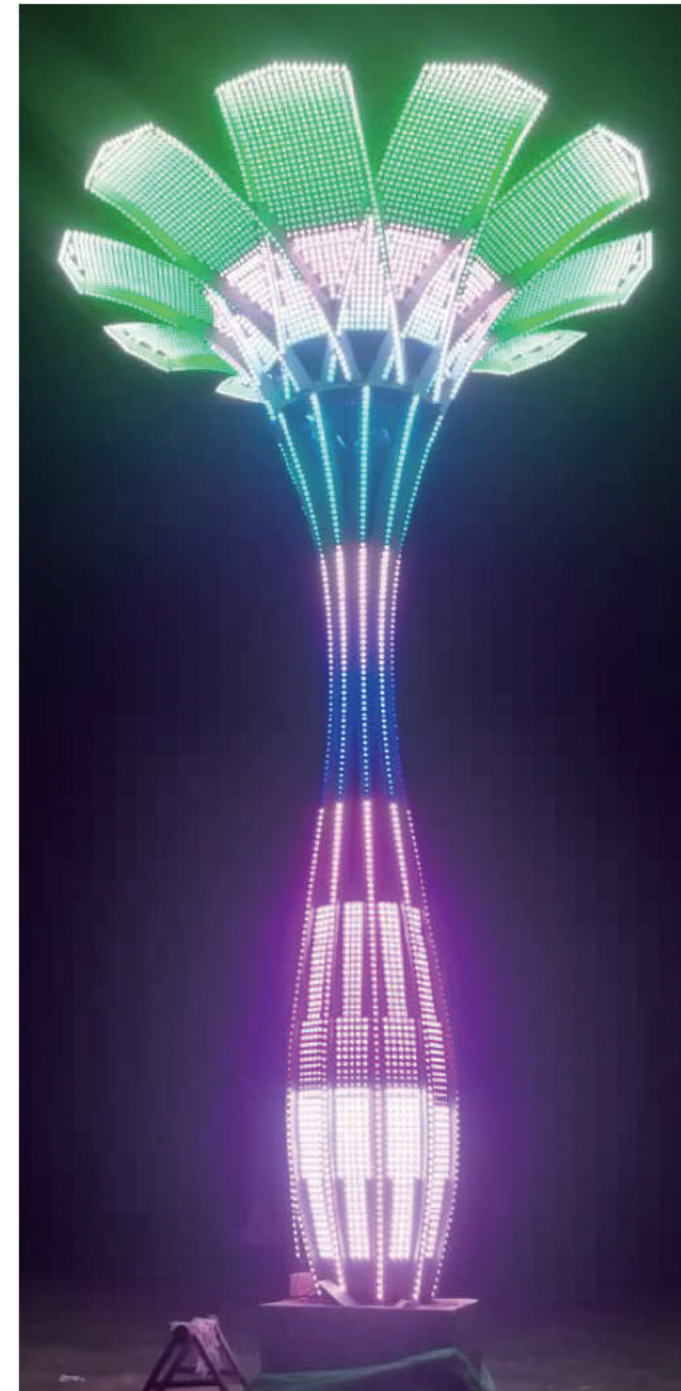
项目使用产品:SH-AD3305/ Led 点光源

特色建筑案例 ●●●●●●
Characteristic building cases



项目名称: 福州之眼 项目地点: 福建福州 项目使用产品: SH-JD33 / 全彩点光源
 开工日期: 2019年12月 竣工日期: 2020年1月

特色建筑案例 ●●●●●●
Media Facade Lighting



项目名称: 河南禹州景观树 项目地点: 河南禹州 项目使用产品: JD33全彩点光源
 开工日期: 2019年8月 竣工日期: 2019年9月

其他装饰类景观案例

Other decorative landscape cases



项目名称:江苏盐城欧风街
开工日期:2020年10月

项目地点:江苏盐城
竣工日期:2020年11月

项目使用产品:JD22

其他装饰类景观案例

Other decorative landscape cases



项目名称:上海地铁15号线
开工日期:2020年10月

项目地点:上海
竣工日期:2020年11月

项目使用产品:X10E

其它装饰类景观案例 ●●●●●●

Media Facade Lighting



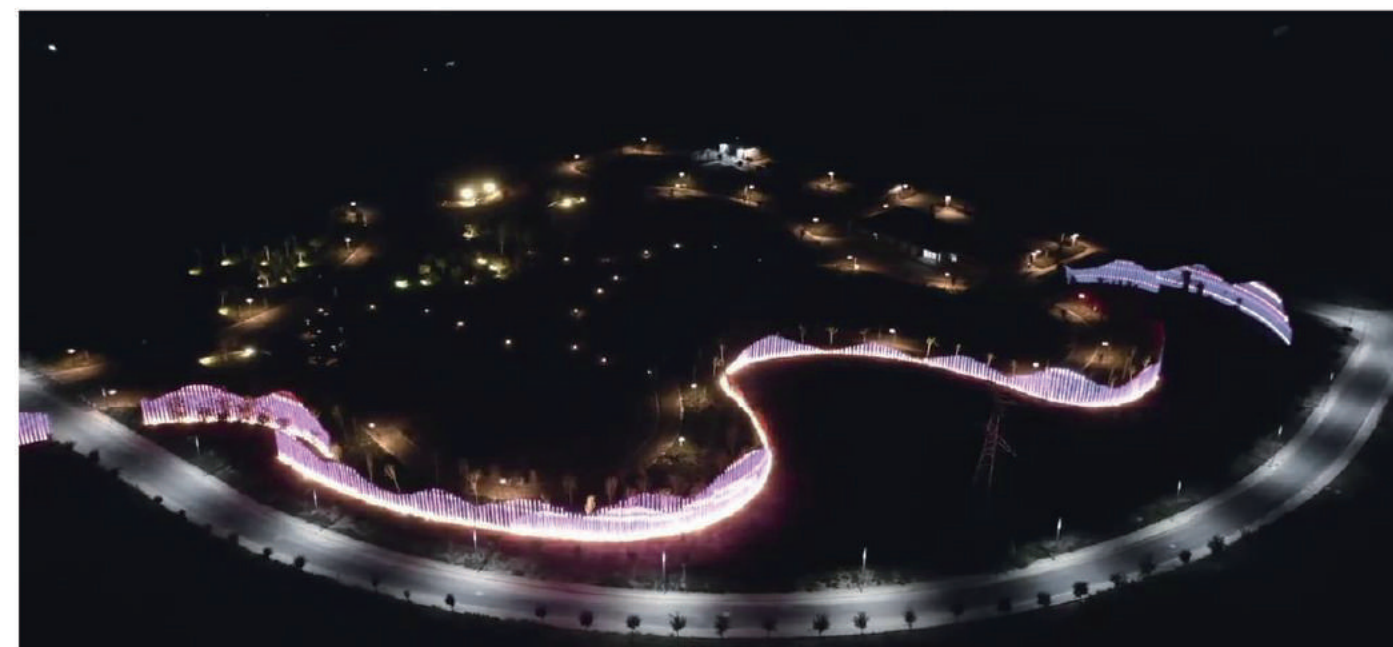
项目名称:海南海花岛灯光秀
开工日期:2020年12月

项目地点:海南
竣工日期:2021年1月

项目使用产品:P12

其它装饰类景观案例 ●●●●●●

Media Facade Lighting



项目名称:石家庄新乐迎宾公园
开工日期:2021年10月

项目地点:石家庄
竣工日期:2021年11月

项目使用产品:JD33